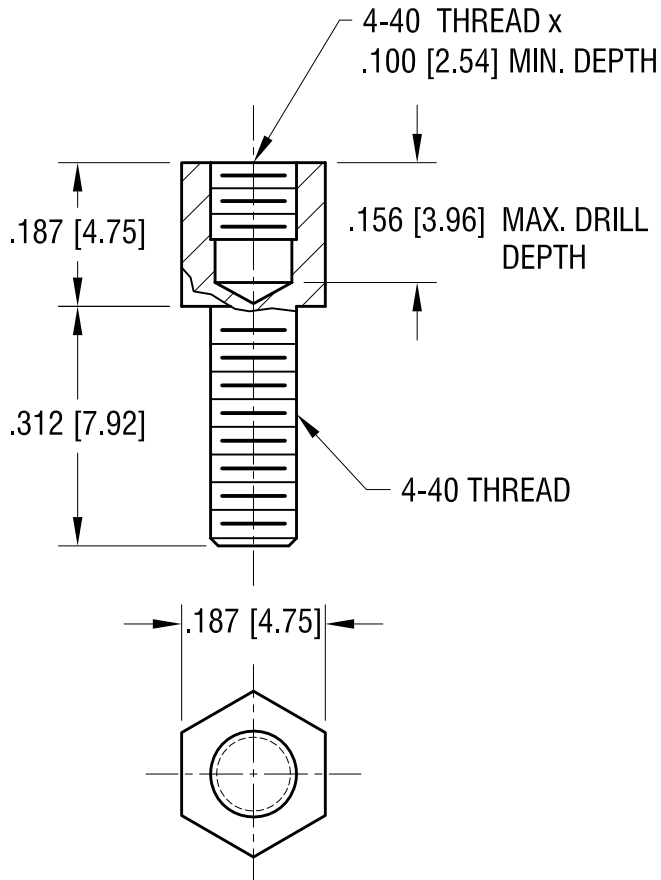


THIS DOCUMENT IS THE PROPERTY OF
KEYSTONE ELECTRONICS CORP. AND
SHALL NOT BE REPRODUCED, DISTRIBUTED
OR USED AS A BASIS FOR MANUFACTURE
WITHOUT PRIOR WRITTEN PERMISSION
FROM KEYSTONE ELECTRONICS CORP.



NOTE:

- 1. FINISH: ZINC PLATE, TRIVALENT
YELLOW CHROMATE

KEYSTONE ELECTRONICS CORP.			
www.keyelco.com • ASTORIA, N.Y. 11105-2017 • Tel (718) 956-8900			
PART NAME		JACK SCREW	
MATERIAL		STEEL	
FINISH	AS NOTED	DRN BY BOONE	DATE 11.14.83
		APP'D LN	SCALE 4X
TOLERANCES DECIMAL	INCH [MM] ± .005 [± 0.15]	CODE C/M	DWG NO. 7230
ANGULAR ± 1° UNLESS OTHERWISE SPECIFIED			

8.17.09	CHANGE AS PER ECN 09-116	C
5.9.05	CHANGE AS PER ECN 05-024	B
DATE	DESCRIPTION	REV.