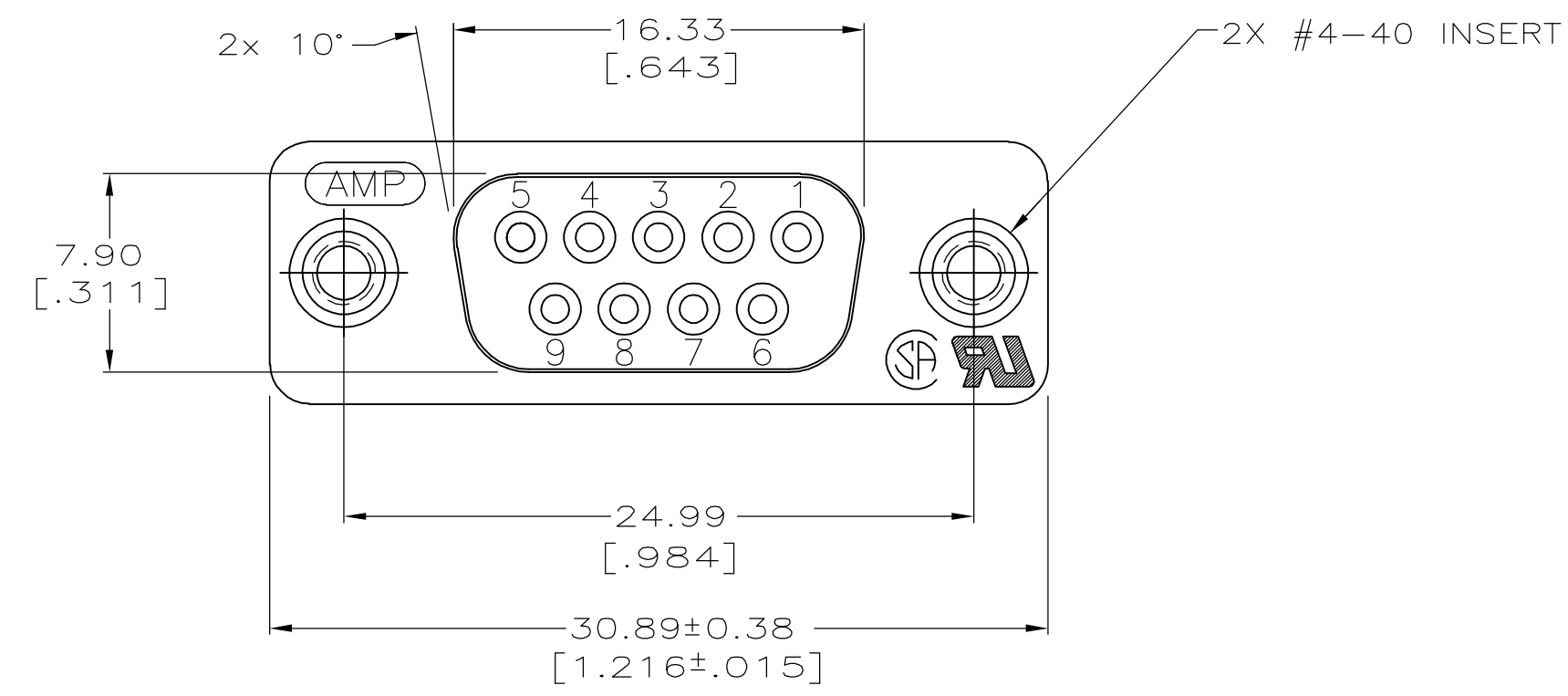
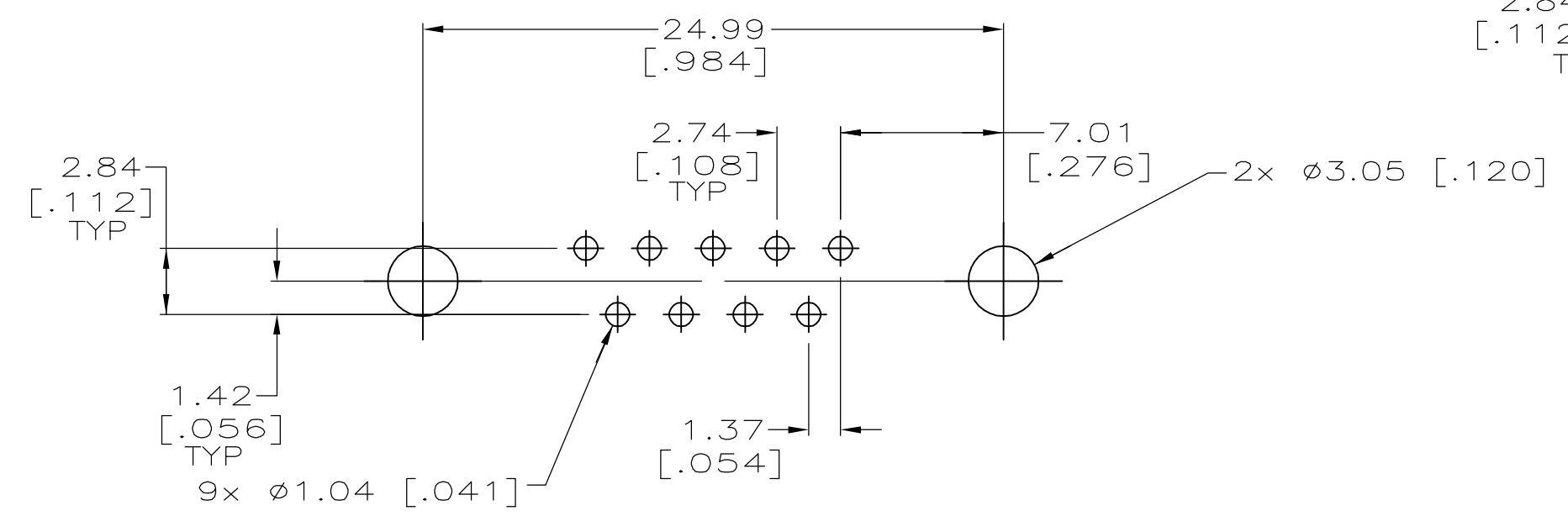
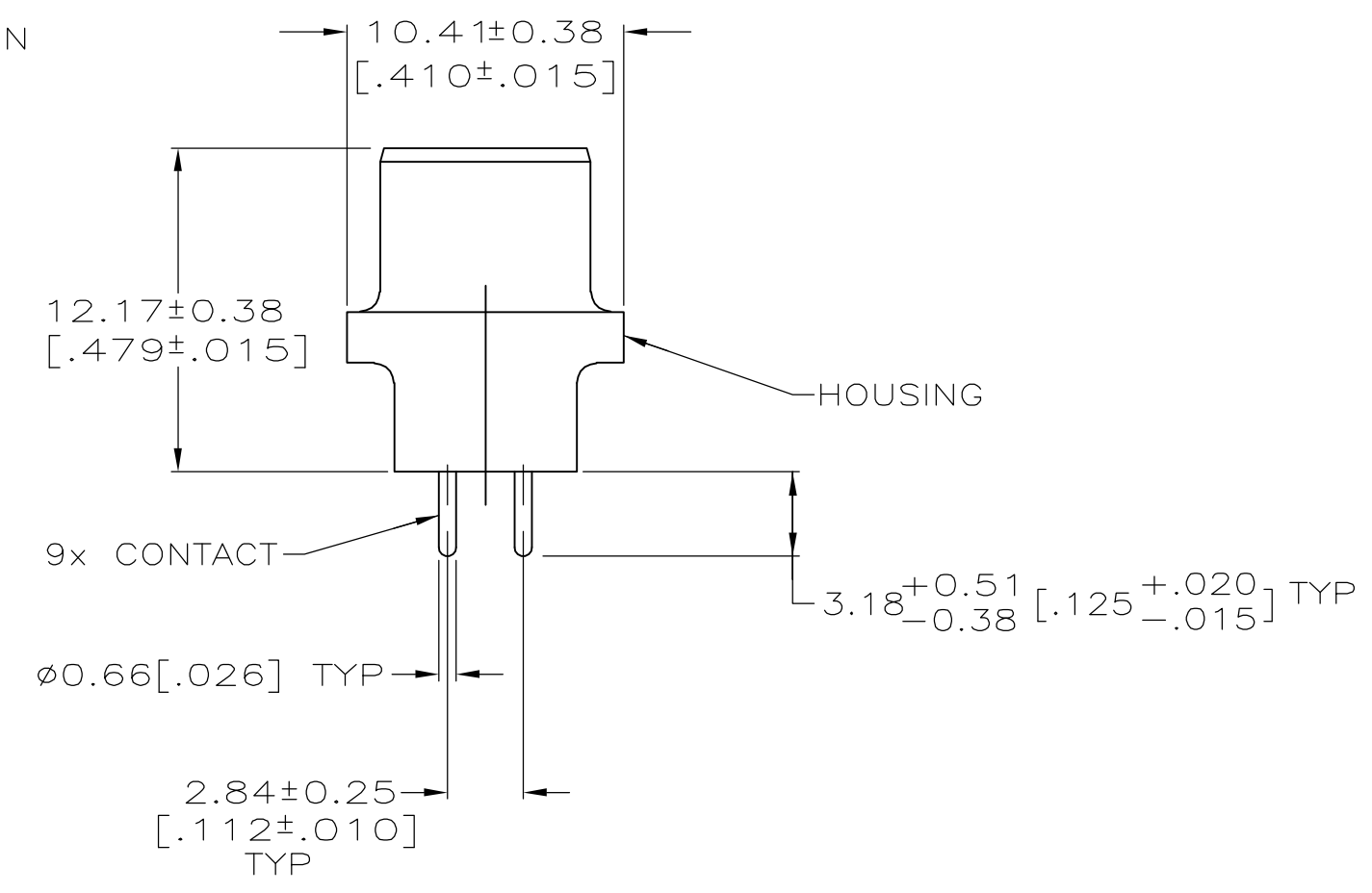
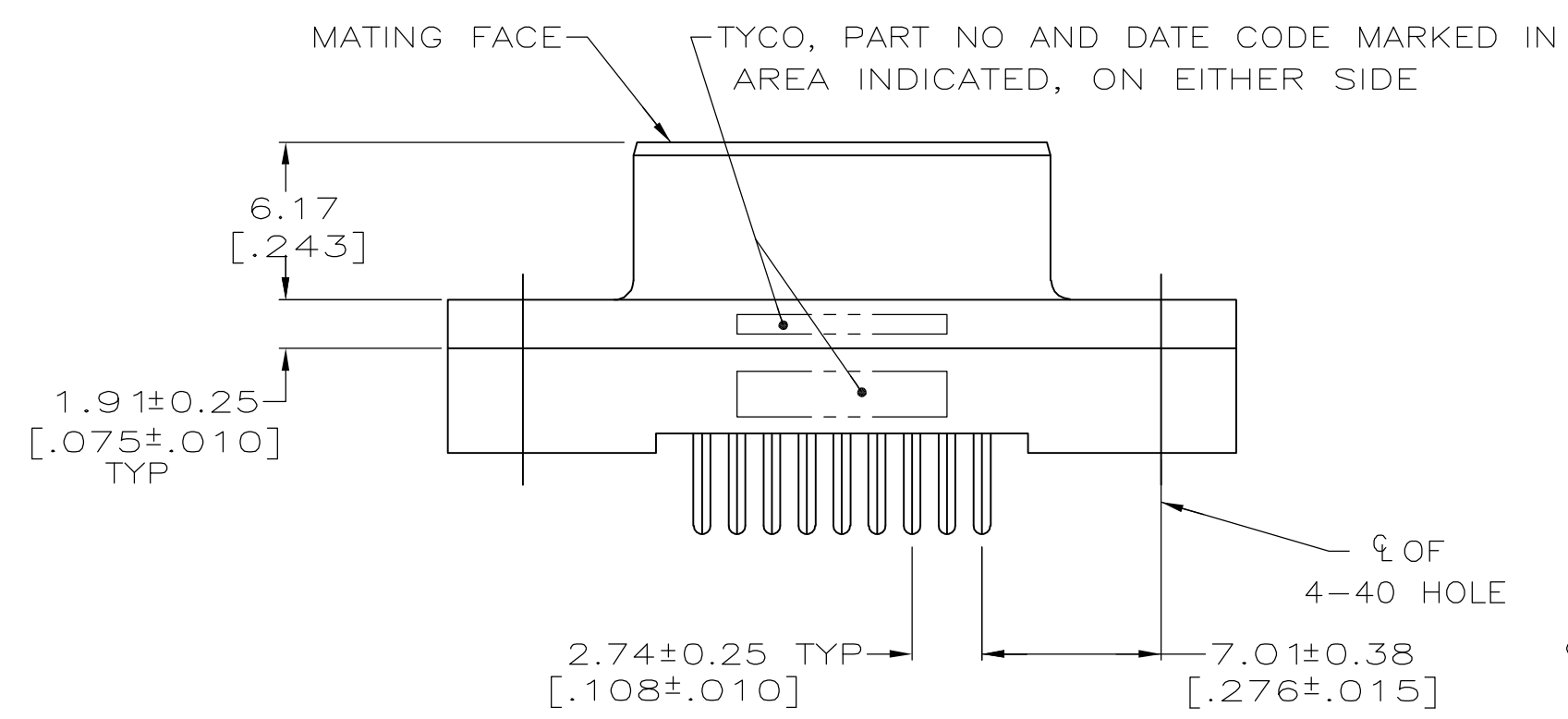


THIS DRAWING IS UNPUBLISHED. RELEASED FOR PUBLICATION  
 © COPYRIGHT BY TYCO ELECTRONICS CORPORATION. ALL RIGHTS RESERVED.

LOC	DIST	REVISIONS			
P	LTR	DESCRIPTION	DATE	OWN	APVD
GP	00	0	RELEASED PER EC 0513-0087-05	12SEP05	GP JG



- ① HOUSING: BLACK POLYESTER, UL 94V-0 RATED; CONTACTS: PHOSPHOR BRONZE; INSERTS: BRASS.
- ② GOLD FLASH FOR A LENGTH OF 2.54[.100] MIN FROM MATING END, 2.54 $\mu$ m[.000100] MIN TIN ON OPPOSITE END, ALL OVER 1.27 $\mu$ m[.000050] MIN. NICKEL.
- ③ 0.76 $\mu$ m[.000030] MIN GOLD FOR A LENGTH OF 2.54[.100] MIN FROM MATING END, 2.54 $\mu$ m[.000100] MIN TIN ON OPPOSITE END, ALL OVER 1.27 $\mu$ m[.000050] MIN NICKEL.



RECOMMENDED PC BOARD MOUNTING DIMENSIONS

**COPYRIGHT 2005  
 TYCO ELECTRONICS CORP  
 ALL RIGHTS RESERVED**

③	5207841-4
②	5207841-3
CONTACT FINISH	PART NO

THIS DRAWING IS A CONTROLLED DOCUMENT.		DWN G.PETERS 12SEP05	Tyco Electronics Corporation	
DIMENSIONS: mm [INCHES]		CHK S.BOLASH 12SEP05	Harrisburg, PA 17105-3608	
TOLERANCES UNLESS OTHERWISE SPECIFIED:		APVD M.WALMSLEY 12SEP05	RECEPTACLE ASSEMBLY, SIZE 1, 9 POSN, VERTICAL, AMPLIMITE HD-20	
0 PLC ± -	1 PLC ± -	PRODUCT SPEC 108-40025	SIZE A2	CAGE CODE 00779
2 PLC ± 0.13 [0.005]	3 PLC ± -	APPLICATION SPEC	DRAWING NO G-5207841	RESTRICTED TO -
4 PLC ± - 2°	ANGLES ± - 2°	FINISH SEE TABLE	WEIGHT -	SCALE 4:1
MATERIAL		CUSTOMER DRAWING	SHEET 1 OF 1	REV 0