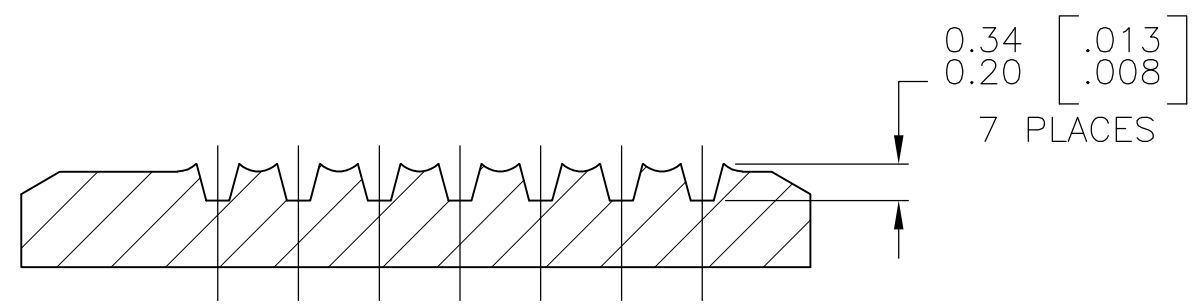
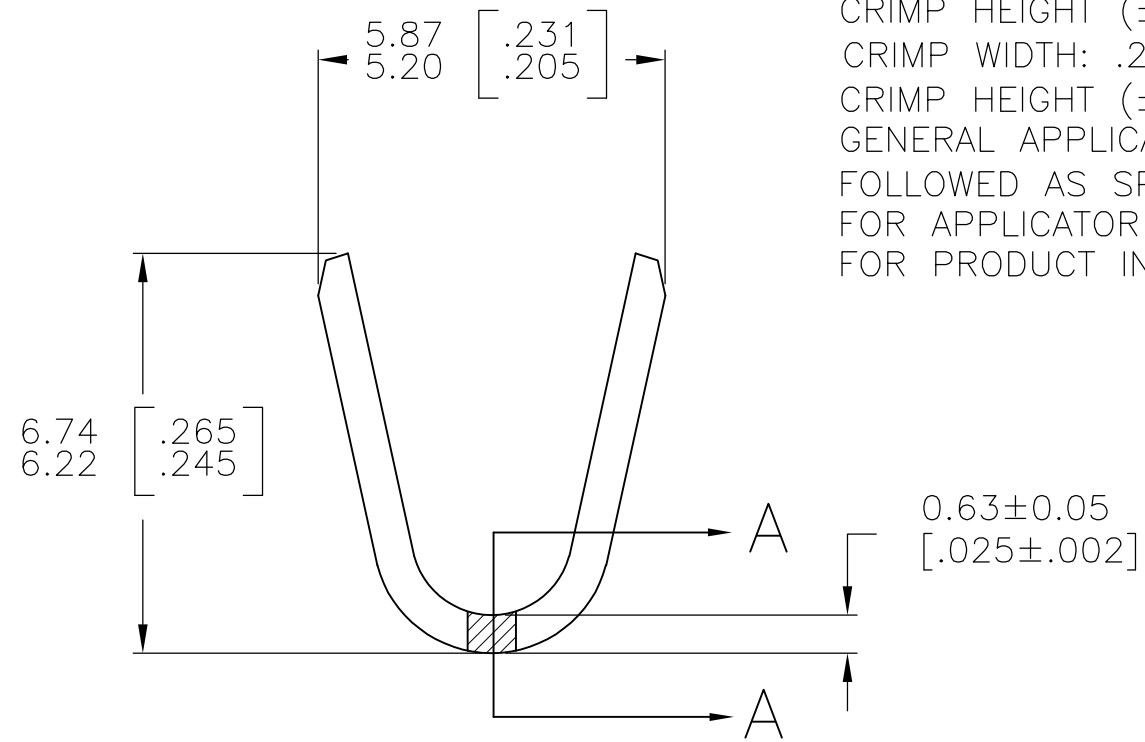
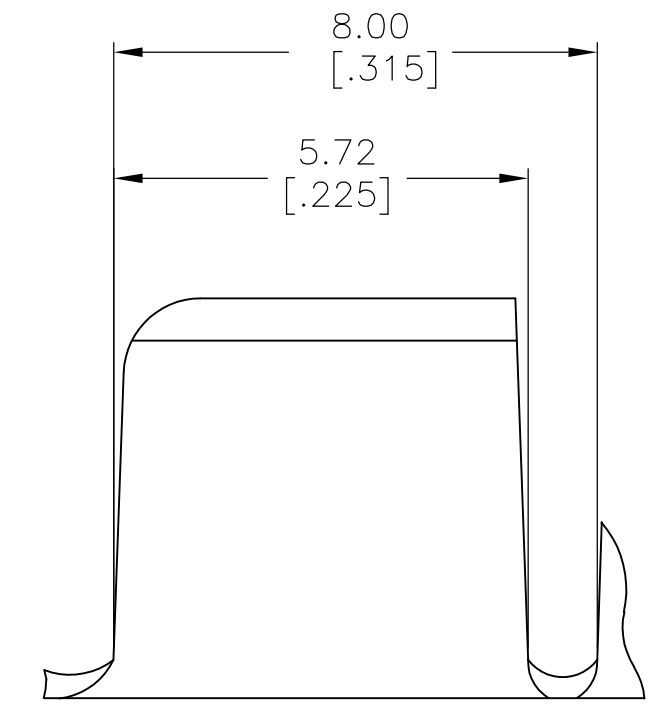
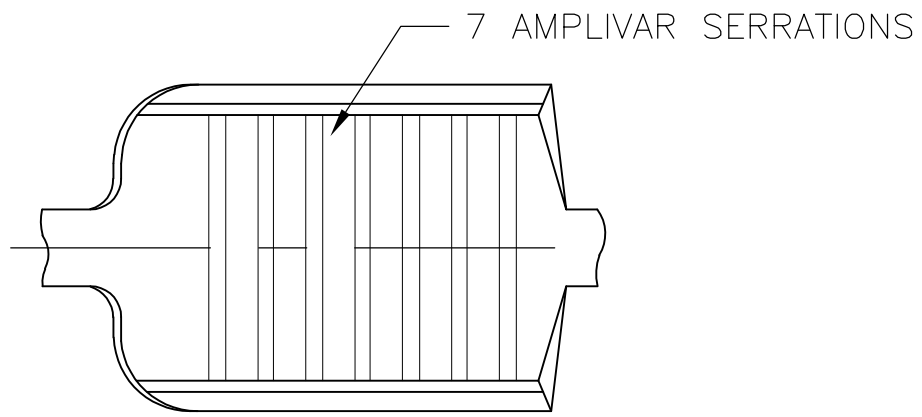


THIS DRAWING IS UNPUBLISHED. RELEASED FOR PUBLICATION  
 © COPYRIGHT BY TYCO ELECTRONICS CORPORATION. ALL RIGHTS RESERVED.

LOC	DIST	REVISIONS			
P	LTR	DESCRIPTION	DATE	DWN	APVD
AF	50	S	REVISED PER ECR-09-009195	30APR09	HMR GP



- 1 PRODUCT PROVIDED IN STRIP FORM ON REELS; BREAKS MAY BE PRESENT.
- 2 DIMENSIONS IN BRACKETS ARE IN INCHES.
- 3 FOR ADDITIONAL INFORMATION, SEE APPLICATION SPEC. 114-2002.
- 4 WIRE RANGE: 7000-13000 CMA.
- 5 CRIMP WIDTH: .180 F TYPE (AMPLIVAR PIGTAIL)  
 CRIMP HEIGHT (±.002)=(TOTAL CMA+23,000)/312,500  
 CRIMP WIDTH: .220 F TYPE (AMPLIVAR PIGTAIL)  
 CRIMP HEIGHT (±.002)=(TOTAL CMA+25200)/377,400  
 GENERAL APPLICATION GUIDELINES MUST BE FOLLOWED AS SPECIFIED IN CATALOG #82221  
 FOR APPLICATOR INFORMATION CALL:1-800-722-1111  
 FOR PRODUCT INFORMATION CALL:1-800-522-6752

SECTION A-A  
SCALE 20:1

	TIN PLATE	62002-2
OBSOLETE		<del>62002-1</del>
	FINISH	PART NO

THIS DRAWING IS A CONTROLLED DOCUMENT.		DWN RAGHAVENDRA 09OCT06	Tyco Electronics Corporation Harrisburg, PA 17105-3608	
DIMENSIONS: mm [INCHES]	TOLERANCES UNLESS OTHERWISE SPECIFIED:	CHK G.D.PORTA	NAME	
	0 PLC ± -	APVD G.D.PORTA	PRODUCT SPEC	
	1 PLC ± -	APPLICATION SPEC		
	2 PLC ± -	SIZE CAGE CODE DRAWING NO RESTRICTED TO		
	3 PLC ± 0.38 [.015]	A3 00779 C-62002		
	4 PLC ± -	SCALE 8:1 SHEET 1 OF 1 REV S		
	ANGLES ± 1° 0'	CUSTOMER DRAWING		
MATERIAL BRASS	FINISH SEE TABLE			