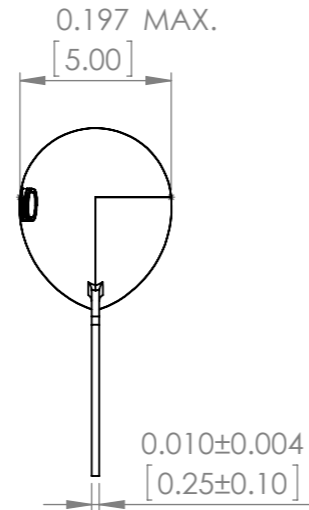
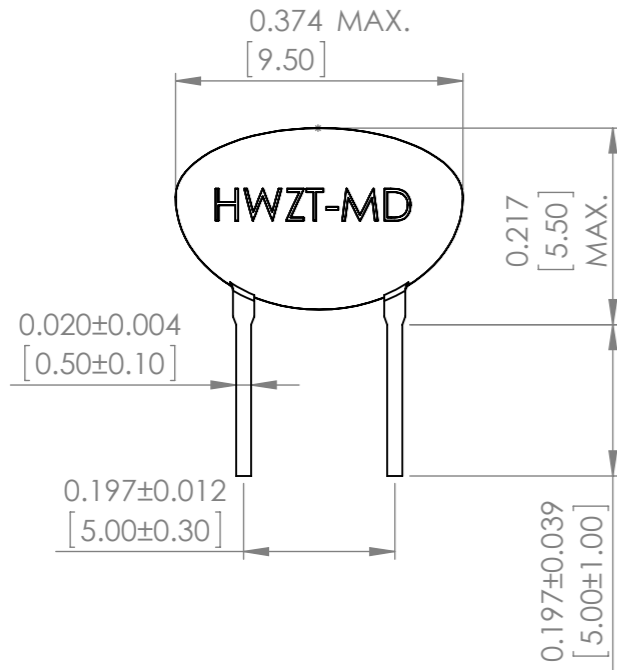
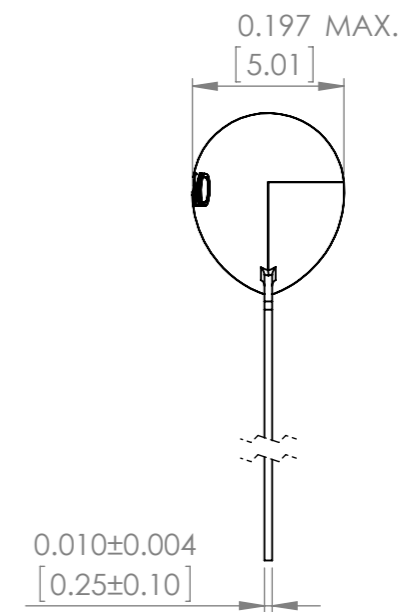
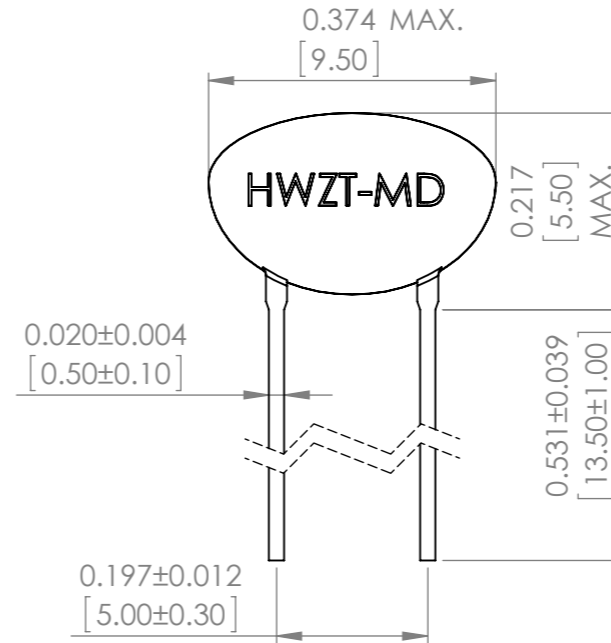


Freq. Range: 2.00 ~ 6.00MHz (Low Profile)

Bulk:

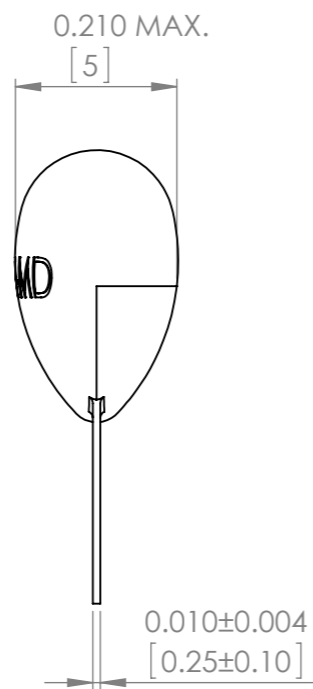
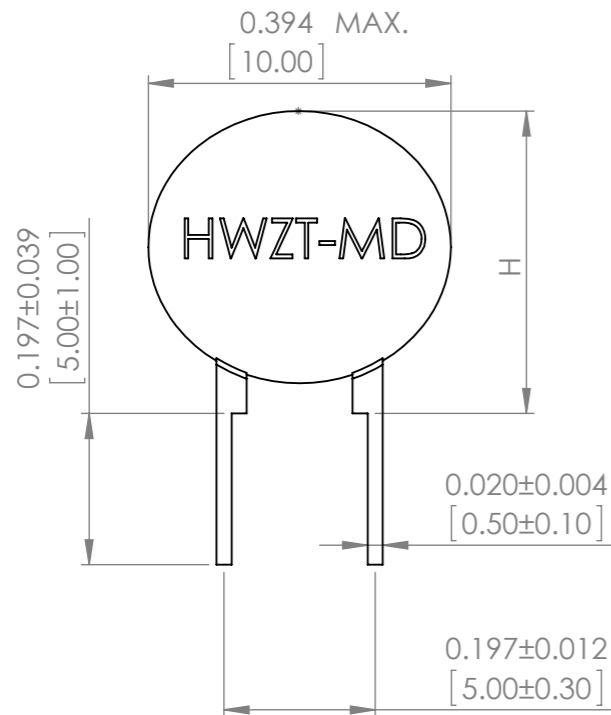


AMMO:

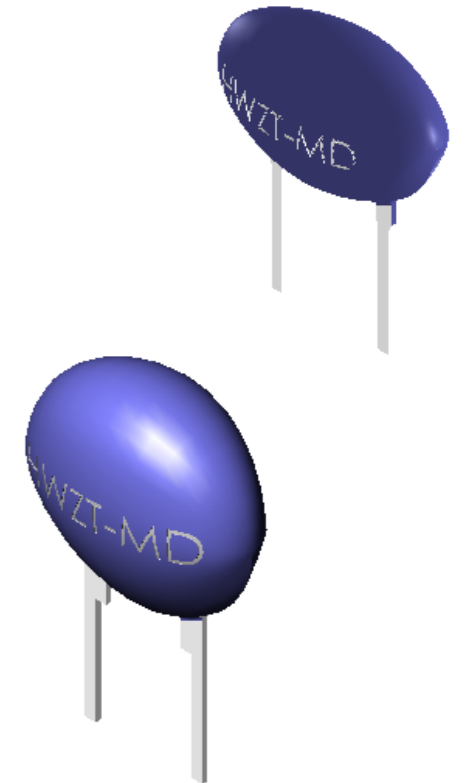
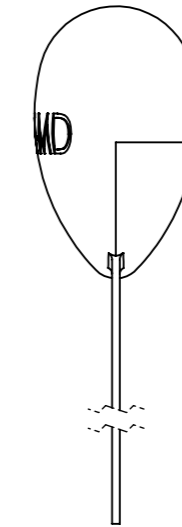
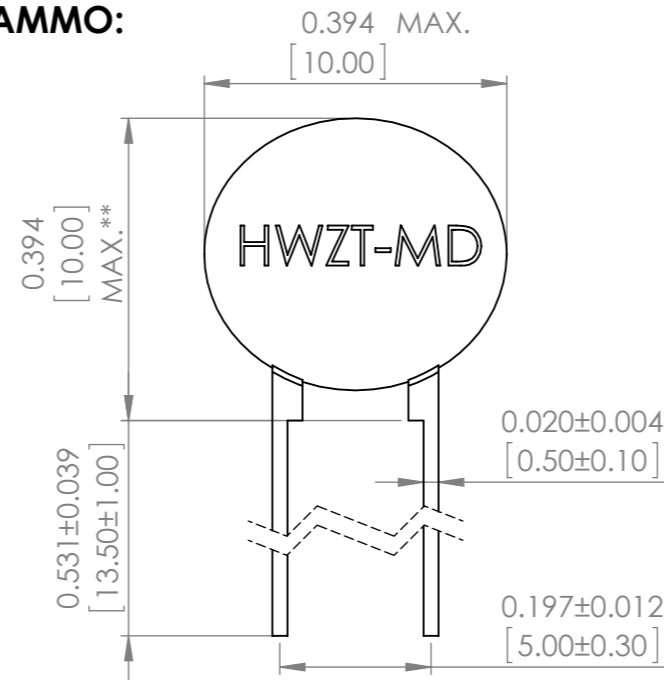


Freq. Range: 12.51 ~ 60.00MHz

Bulk:




AMMO:



H : 12.51 ~ 23.99MHz, 10.0mm max
 24.00 ~ 31.99MHz, 7.5mm max
 32.00 ~ 60.00MHz, 6.5mm max

*: EIAJ MONTHLY CODE

UNLESS OTHERWISE SPECIFIED: DIMENSIONS ARE IN MM SURFACE FINISH: TOLERANCES: LINEAR: ANGULAR:				FINISH:	DEBUR AND BREAK SHARP EDGES	DO NOT SCALE DRAWING	REVISION
						 30332 Esperanza, Rancho Santa margarita, California 92688	
DRAWN	NAME	SIGNATURE	DATE			TITLE: Ceramic Resonator	
CHK'D	SAZVAT					DWG NO. HWZT-MD	
APPV'D	XXXXXX					A3	
MFG							
Q.A				MATERIAL:			
				WEIGHT:		SCALE:4:1	SHEET 1 OF 1