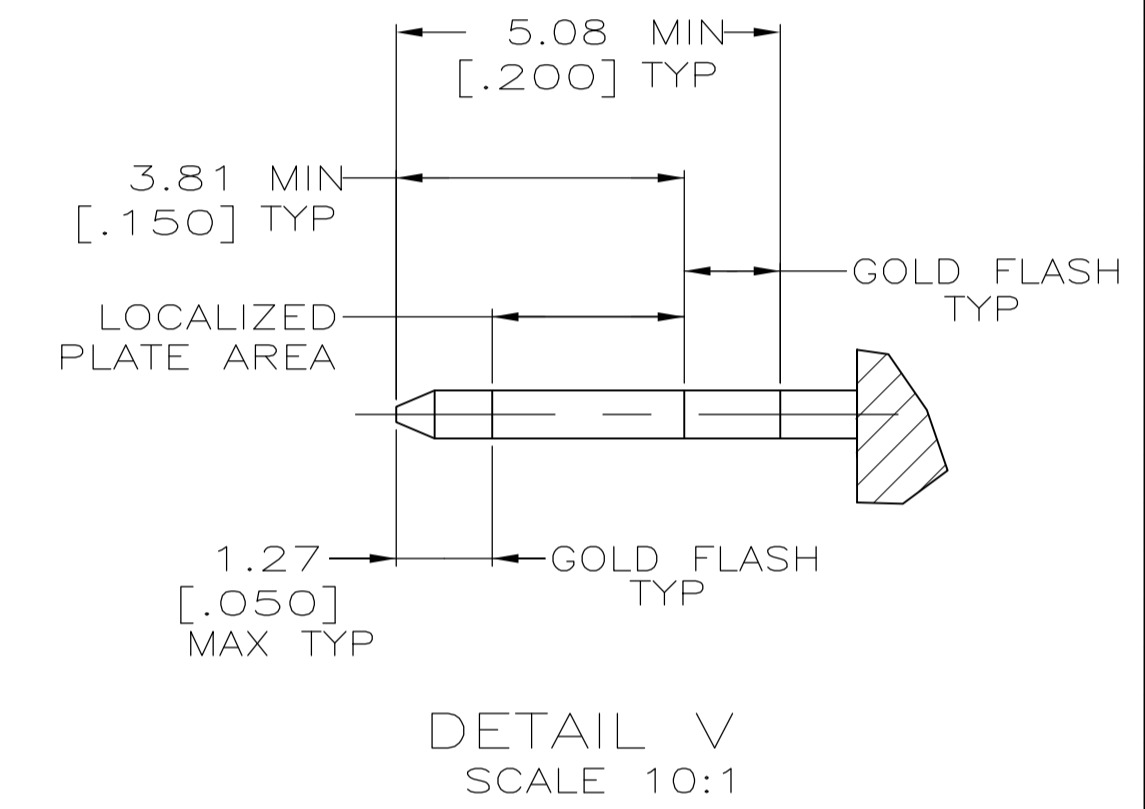
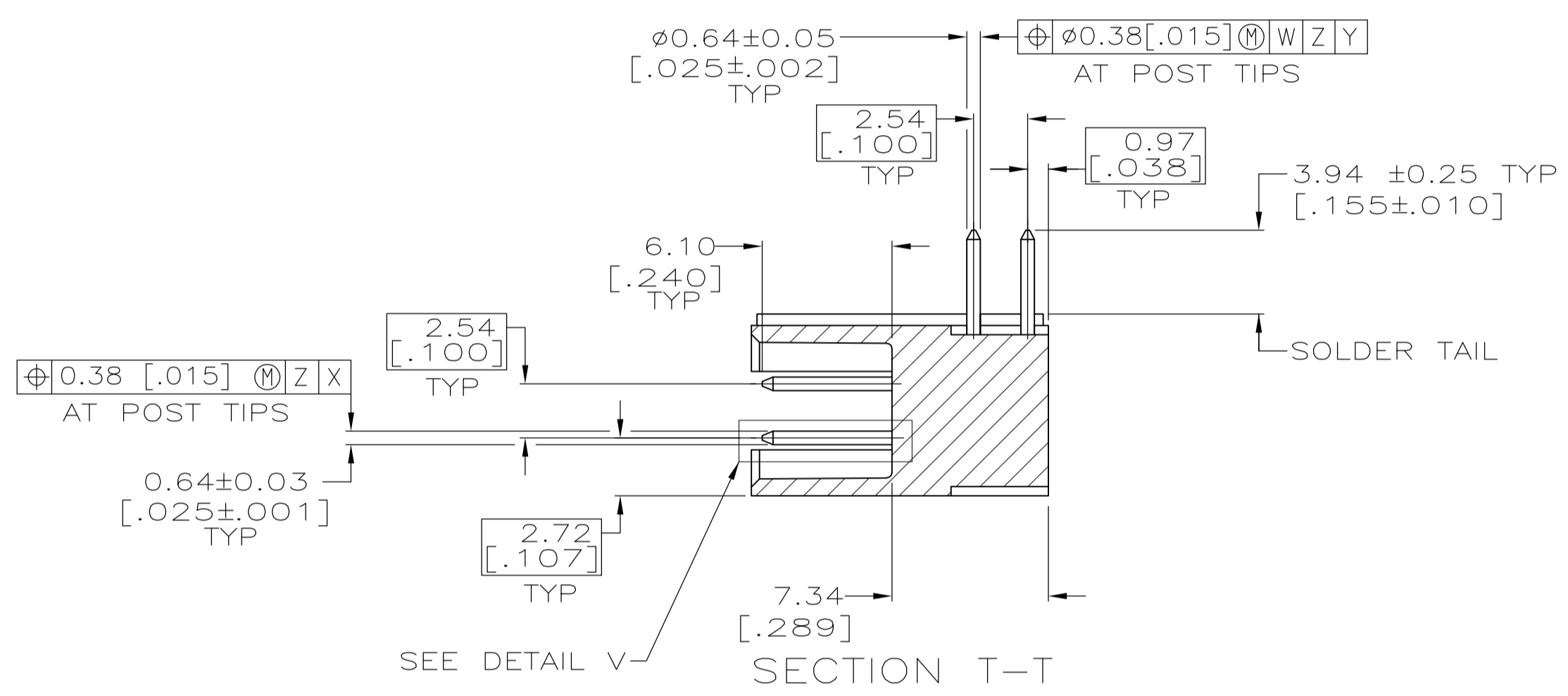
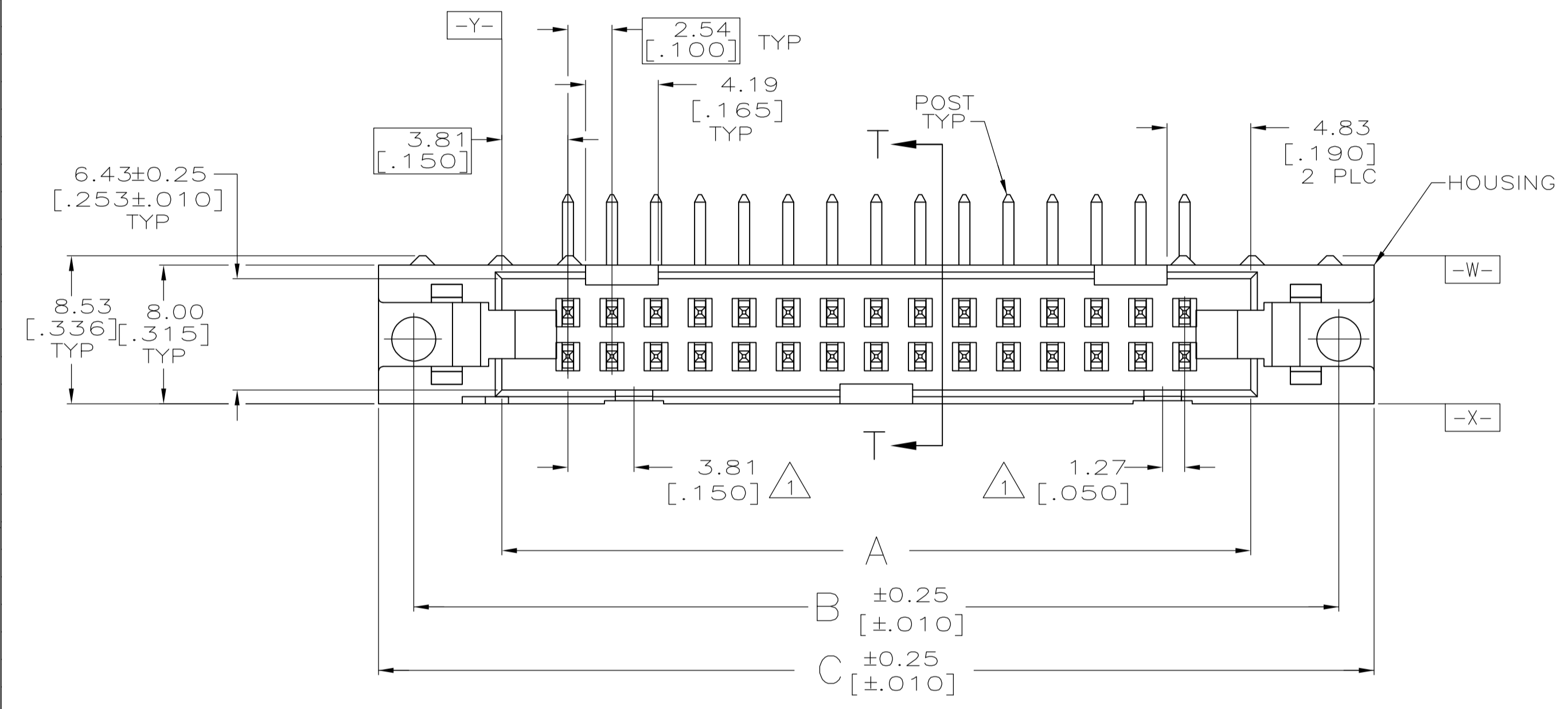


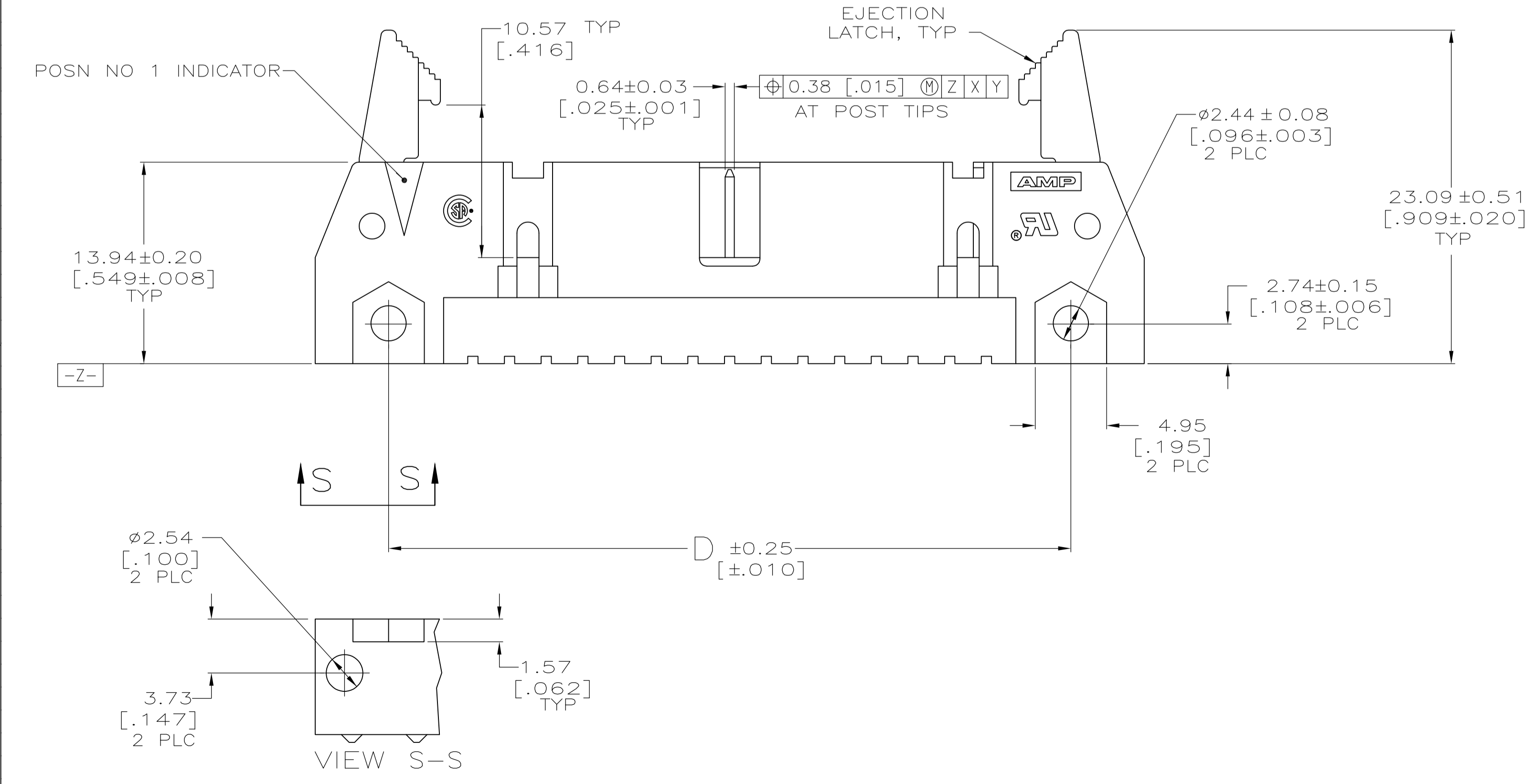
- 1 COORDINATE DIMENSION APPLIES FROM BASIC LOCATION.
- 2 RECOMMENDED PRINTED CIRCUIT BOARD THICKNESS IS 3.18 [.125].
- 3 DISTANCE REQUIRED BY EJECTION LATCHES IN THE OPEN POSITION.
- 4 HOUSING & LATCHES: GLASS FILLED NYLON OR POLYESTER, UL94V-0 RATED, BLACK. POSTS: BRASS.
- 5 POSTS: GOLD FLASH OVER PALLADIUM-NICKEL PLATE, 0.38µm[.000015] MIN TOTAL ON THE LOCALIZED PLATE AREA, 2.54µm[.000100] MIN TIN PLATE ON THE SOLDER-TAILS, 1.27µm[.000050] MIN NICKEL UNDERPLATE ON THE ENTIRE POST.
-OR-
0.38µm[.000015] MIN GOLD PLATE ON THE LOCALIZED PLATE AREA, 2.54µm[.000100] MIN TIN PLATE ON THE SOLDER-TAILS, 1.27µm[.000050] MIN NICKEL UNDERPLATE ON THE ENTIRE POST.
- 6 DATUMS -M- & -N- TO BE ESTABLISHED BY CUSTOMER.

RECOMMENDED
PC BOARD MOUNTING DIMENSIONS
SCALE 2:1

EJECTION LATCHES OMITTED IN
THIS VIEW FOR CLARITY



DETAIL V
SCALE 10:1



VIEW S-S

40.64 [1.600]	52.32 [2.060]	52.32 [2.060]	62.48 [2.460]	58.42 [2.300]	48.26 [1.900]	34	5499914-8
22.86 [.900]	34.54 [1.360]	34.54 [1.360]	44.70 [1.760]	40.64 [1.600]	30.48 [1.200]	20	5499914-4
F	E	D	C	B	A	NO OF POSN	PART NUMBER

THIS DRAWING IS A CONTROLLED DOCUMENT.		DIN L VARELA - DOCKS 01-11-05	Tyco Electronics Corporation Harrisburg, PA 17105-3608	
DIMENSIONS: mm (INCHES)		CHK S BOLASH 01-11-05	NAME M WALMSLEY 01-11-05	
TOLERANCES UNLESS OTHERWISE SPECIFIED:		PRODUCT SPEC 108-40018		
0 PLC ± -		APPLICATION SPEC -		
1 PLC ± -		SIZE A1		
2 PLC ± 0.13[.005]		CAGE CODE 00779		
3 PLC ± -		DRAWING NO 5499914		
4 PLC ± -		RESTRICTED TO -		
ANGLES ± -		WEIGHT -		
MATERIAL 4		CUSTOMER DRAWING		
FINISH 5		SCALE 4:1		
		SHEET 1 OF 1		
		REV C		

**COPYRIGHT 2005
TYCO ELECTRONICS CORP
ALL RIGHTS RESERVED**