

SUMMARY

Wires

Low	12
High	0
Coax	0
Triax	0
Quad	0
Fiber	0
Fluidic	0



Image is for illustrative purpose only

Download

[Request a quote](#)

[Catalog](#)

Series	C
Termination type	Female print PCB
IP rating	50
Cable Ø	0.00 - 0.00 mm
Matching parts	CAB.M12.GLA.C72GZ
Status	
Alternative part	

TECHNICAL DETAILS

Mechanics

Shell Style/Model	CK*: Fixed receptacle with two nuts (back panel mounting)
Keying	2 keys (gamma=60; Plug: male contacts; Receptacle: female contacts)
Housing Material	PSU (Polysulfone), gray
Cable Fixing	∅ 0 - 0 mm
Variant	

Performance

Configuration	
Insulator	
Rated Current	7 Amps

Specifications

Test voltage (kV rms) Contact-contact:	1.25
Air clearance min. (mm) or Creepage distance min. (mm):	0.85

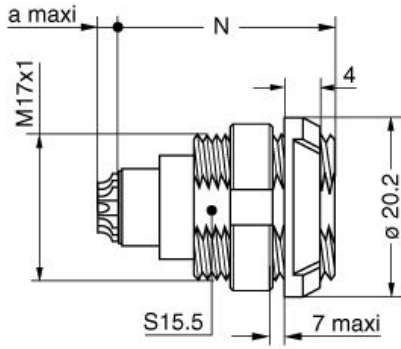
Others

F ret (min):	150 N
--------------	-------

F ret (max): 250 N
Steam sterilization: 20 times
IP Rating: 50

DRAWINGS

Draws



Dimensions

	A	L	N	e
mm.	20.2	28.7	23.8	M17x1
in.	0,80	1,13	0,94	

RECOMMENDED BY LEMO

Tools

None

Cables