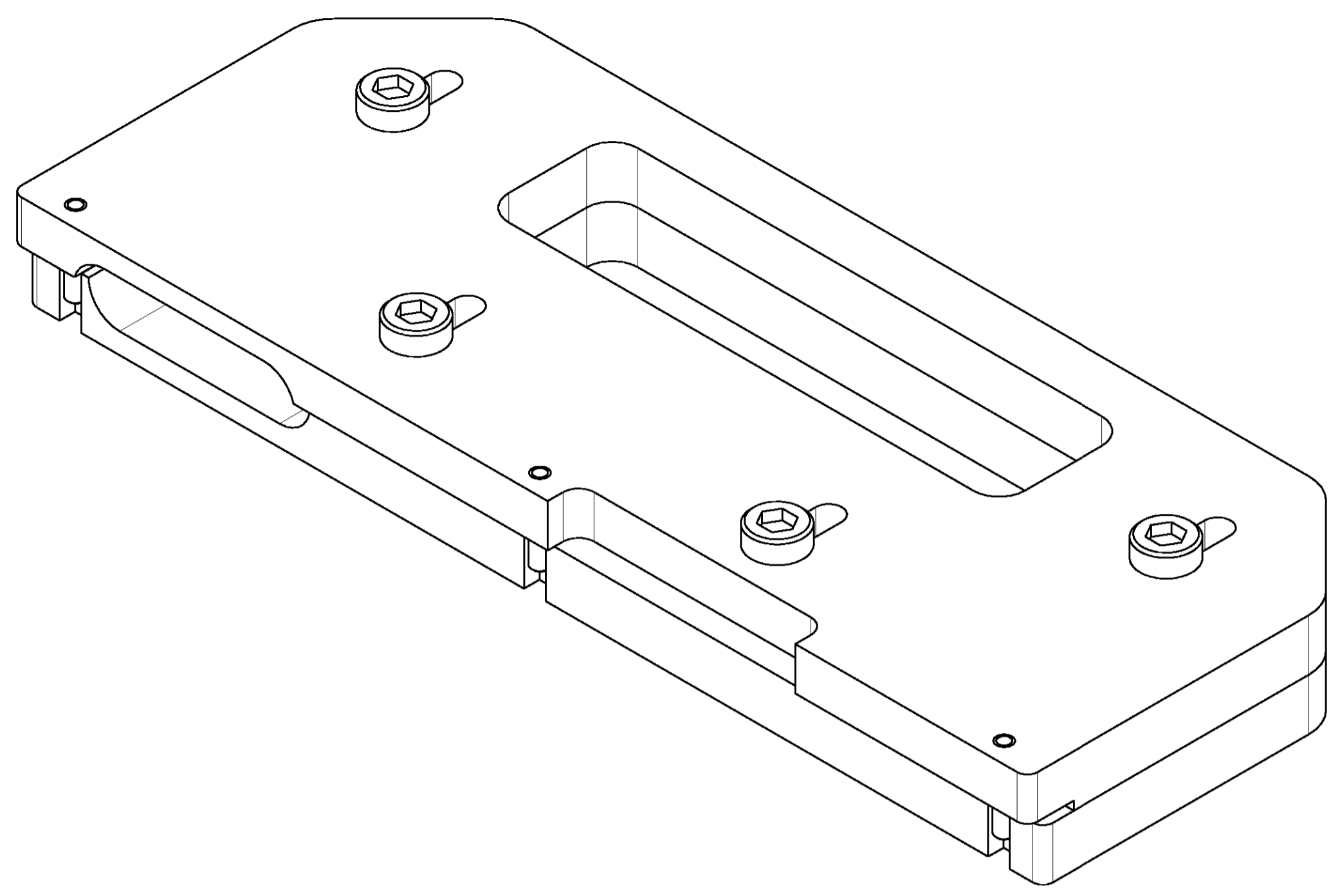
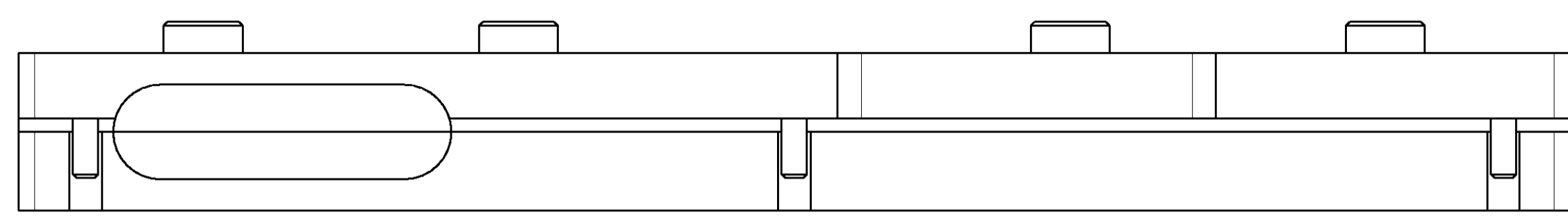
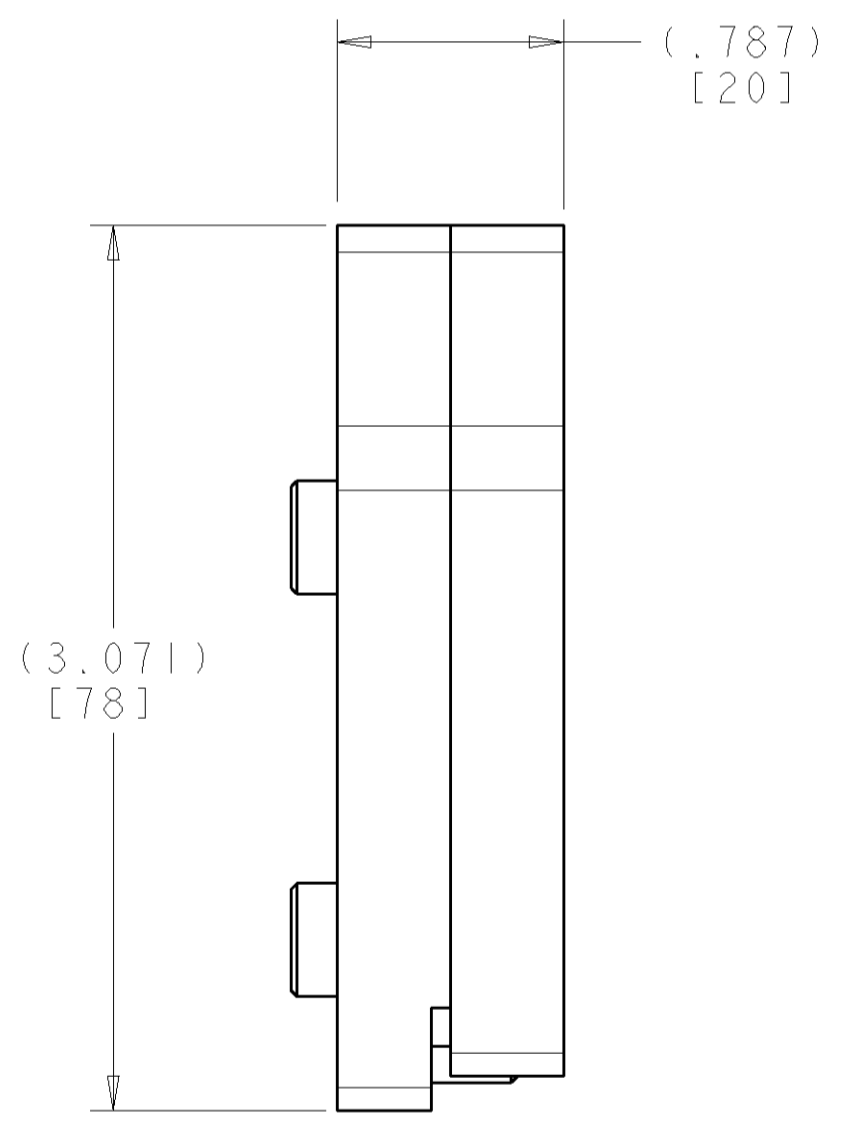
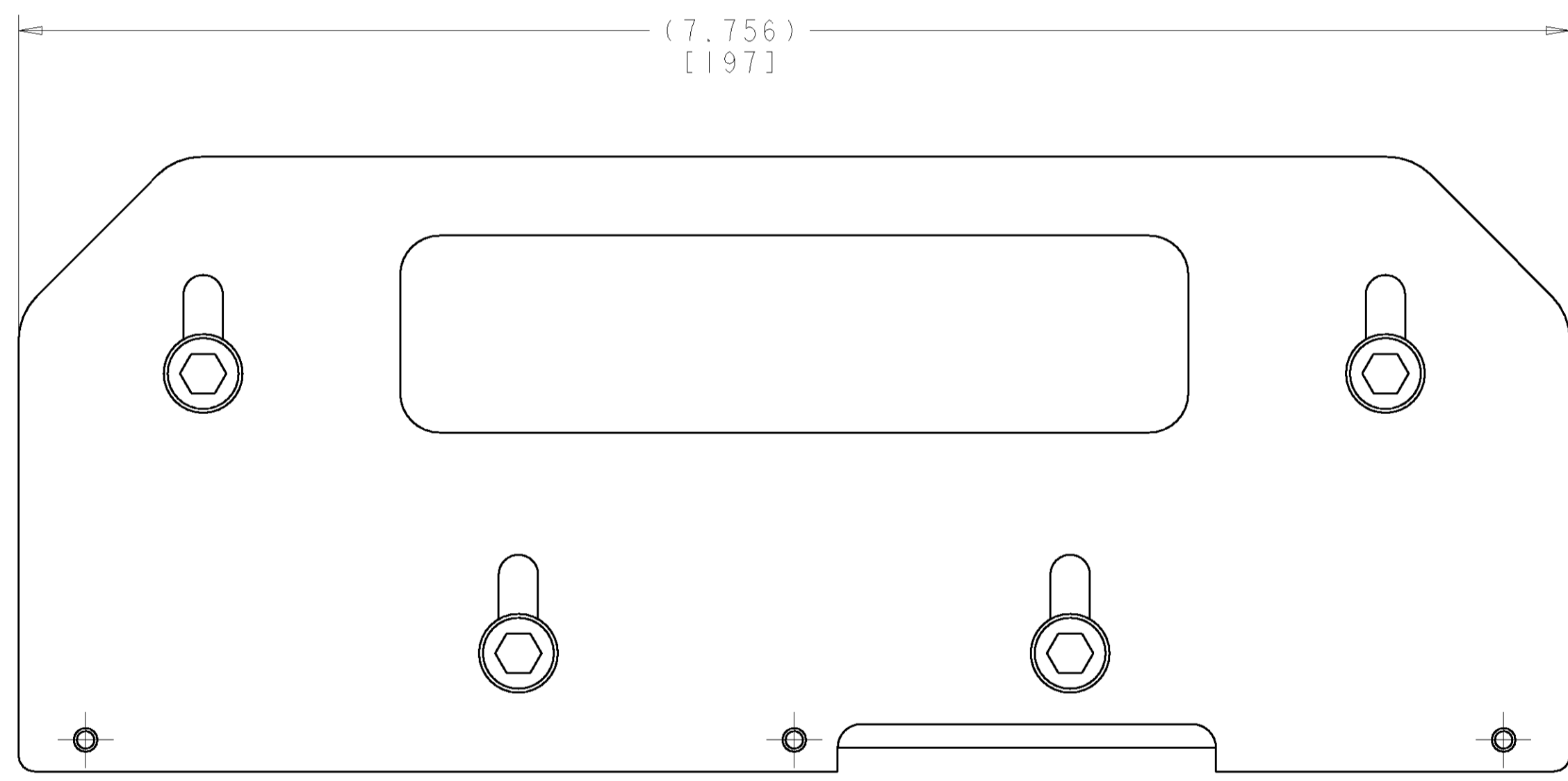


LOC		DIST		REVISIONS			
P	LTR	DESCRIPTION	DATE	DWN	APVD		
A		REV-EC 0B60-0019-04	25FEB04	LH	MD		



1. MATERIAL: ACRYLIC.
2. ALL DIMENSIONS ARE NOMINAL.



1435491-1  
PART NO.

<small>THE DIMENSIONS IN PARENTHESES REPRESENT THE TYCO ELECTRONICS CORPORATION DIMENSIONS. IF THERE IS A DISCREPANCY BETWEEN THE DIMENSIONS IN PARENTHESES AND THE DIMENSIONS IN BRACKETS, THE DIMENSIONS IN PARENTHESES SHALL BE CONTACTED FOR THE CORRECT POSITION.</small>		DWN L HALL 25FEB04 CHK M DELPHIAS 25FEB04 APVD M DELPHIAS 25FEB04	<b>tyco</b> Electronics Tyco Electronics Harrisburg, PA 17105-3608
DIMENSIONS: MM [INCHES]	TOLERANCES UNLESS OTHERWISE SPECIFIED: 0 PLC ± 1 PLC ± 2 PLC ± 3 PLC ± 4 PLC ± ANGLES ± FINISH -	NAME TOOL ANALYZER EXPANSION CARD EXTRACT, AMPTRAC PRODUCT SPEC APPLICATION SPEC WEIGHT - CUSTOMER DRAWING	SIZE CAGE CODE DRAWING NO RESTRICTED TO A 00779 C-1435491 - SCALE 3:2 SHEET 1 OF 1 REV A