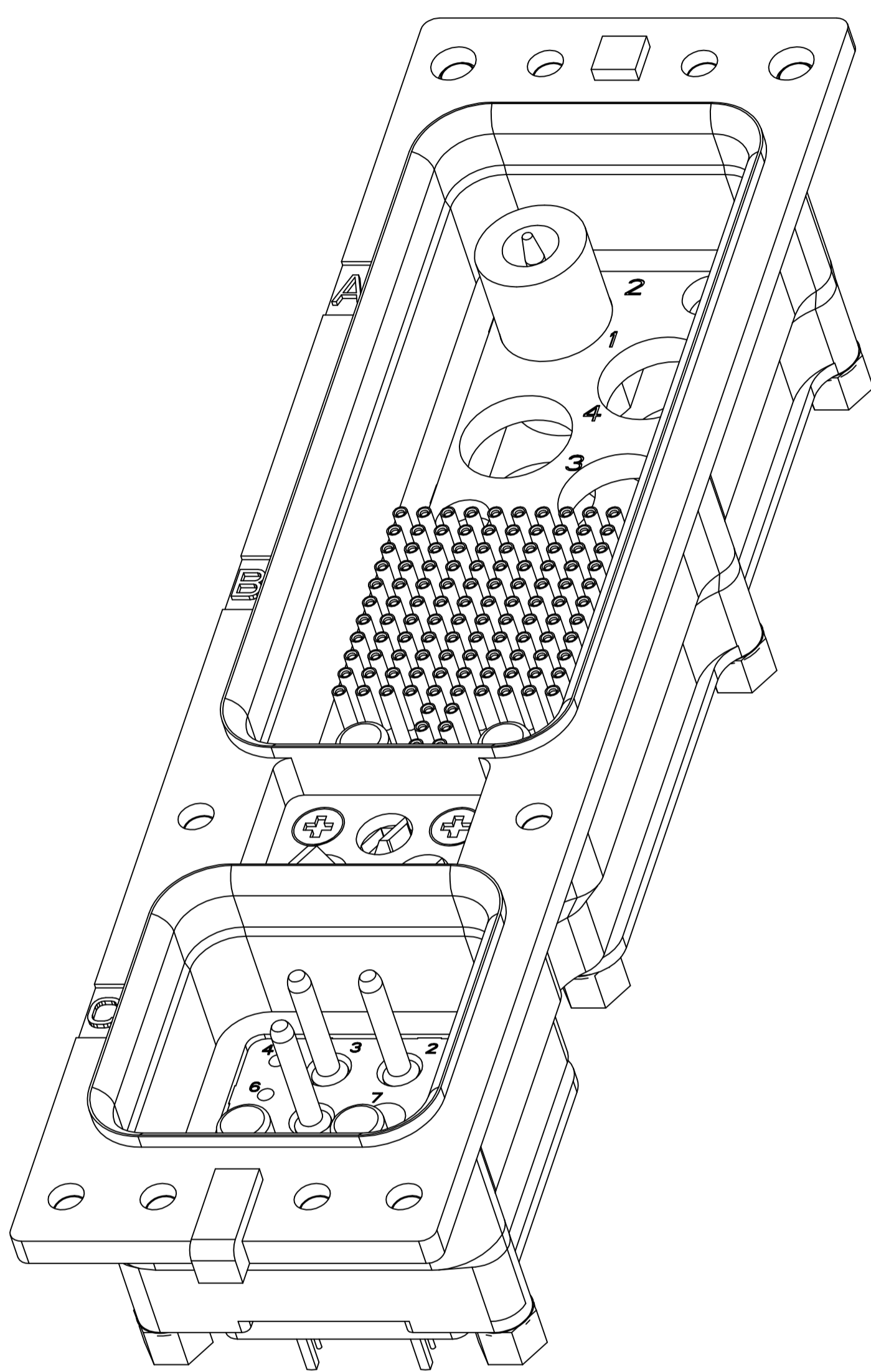


LOC		DIST		REVISIONS			
P	LTR	DESCRIPTION	DATE	DMN	APVD		
D		REV PER ECO 15-014675	10-15-15	CT	RG		



- CONNECTOR DIMENSIONS ARE PER ARINC 600 SPECIFICATION.
- CONNECTOR IS SUPPLIED WITH A DUST COVER INSTALLED; NOT SHOWN.
- KEYING SHOWN IN POSITION FOR ILLUSTRATION ONLY. CONNECTORS SHIPPED WITH KEYING INSTALLED IN POSITION PER TABLE. FOR POSITION "00" KEYING HARDWARE SHIPPED UNASSEMBLED.
- SIZE 22 AND SIZE 12 CONTACTS NOT SHOWN IN FRONT AND REAR VIEWS FOR CLARITY.

5. DIMENSION TO CONTACT POST IS WITH CONTACTS FULLY SEATED TO REAR OF CONTACT CAVITIES.

6. THE FOLLOWING CONTACTS AND FILLER PLUGS ARE LOADED IN THIS CONNECTOR:  
 MODULE A:  
 P/N 1663625-1 (SIZE 1 FILLER PLUG; QTY = 3) POSITIONS 1, 3 & 4.  
 P/N 1757669-1 (MODIFIED SIZE 1 COAX PIN ADAPTER; QTY = 1) POSITION 2.  
 MODULE B:  
 P/N 211431-6 (SIZE 22 POSTED CONTACT; QTY = 118)  
 P/N 448540-3 (POSTED SIZE 8 PIN COAX; QTY = 2)  
 MODULE C:  
 P/N 1663129-5 (SIZE 12 POSTED CONTACT; QTY = 3) POSITIONS 2, 3 & 8.  
 P/N 1663535-1 (POSTED SIZE 5 PIN COAX; QTY = 2) POSITIONS 12 & 13.  
 P/N 1663767-6 (SIZE 20 FILLER PLUG; QTY = 4) POSITIONS 1, 4, 5 & 6.  
 P/N 1663767-7 (SIZE 16 FILLER PLUG; QTY = 3) POSITIONS 9, 10 & 11.  
 P/N 1663767-8 (SIZE 12 FILLER PLUG; QTY = 1) POSITION 7.

7. THE FOLLOWING CONTACTS AND FILLER PLUGS ARE LOADED IN THIS CONNECTOR:  
 MODULE A:  
 P/N 1663625-1 (SIZE 1 FILLER PLUG; QTY = 3) POSITIONS 1, 3 & 4.  
 P/N 1757669-1 (MODIFIED SIZE 1 COAX PIN ADAPTER; QTY = 1) POSITION 2.  
 MODULE B:  
 SZ 22 NON-REMOVABLE POSTED SOCKET CONTACT (QTY = 118)  
 P/N 448540-3 (POSTED SIZE 8 PIN COAX; QTY = 2)  
 MODULE C:  
 P/N 1663129-5 (SIZE 12 POSTED CONTACT; QTY = 3) POSITIONS 2, 3 & 8.  
 P/N 1663535-1 (POSTED SIZE 5 PIN COAX; QTY = 2) POSITIONS 12 & 13.  
 P/N 1663767-6 (SIZE 20 FILLER PLUG; QTY = 4) POSITIONS 1, 4, 5 & 6.  
 P/N 1663767-7 (SIZE 16 FILLER PLUG; QTY = 3) POSITIONS 9, 10 & 11.  
 P/N 1663767-8 (SIZE 12 FILLER PLUG; QTY = 1) POSITION 7.

8. STANDOFF FASTENER TORQUE TO BE 3.5-4.5 in-lb

COMPONENT	MATERIAL	FINISH
SHELL	ALUMINUM ALLOY A380 PER ASTM-B-85	ELECTROLESS NICKEL PER MIL-C-26074
RETENTION PLATES	ALUMINUM ALLOY PER ASTM-B-209	ELECTROLESS NICKEL PER MIL-C-26074
PAN HEAD SCREWS AND LOCKWASHERS	STAINLESS STEEL	PASSIVATED
FLAT HEAD SCREWS (FOR KEYING HARDWARE)	STAINLESS STEEL	PASSIVATED
POLARIZING KEYS	ZINC ALLOY PER ASTM-B-86	-
POLARIZING KEY RETAINING PLATE	ALUMINUM ALLOY PER ASTM-B-209	BLUE ANODIZED PER MIL-A-8625
C4 INSERT	DIE CAST ALUMINUM PER ASTM-B-85.	ELECTROLESS NICKEL PER MIL-C-26074
120T2 & 13C2 INSERTS	THERMOSET OR THERMOPLASTIC PPS PER MIL-M-24519	-
STANDOFF	STAINLESS STEEL	PASSIVATED

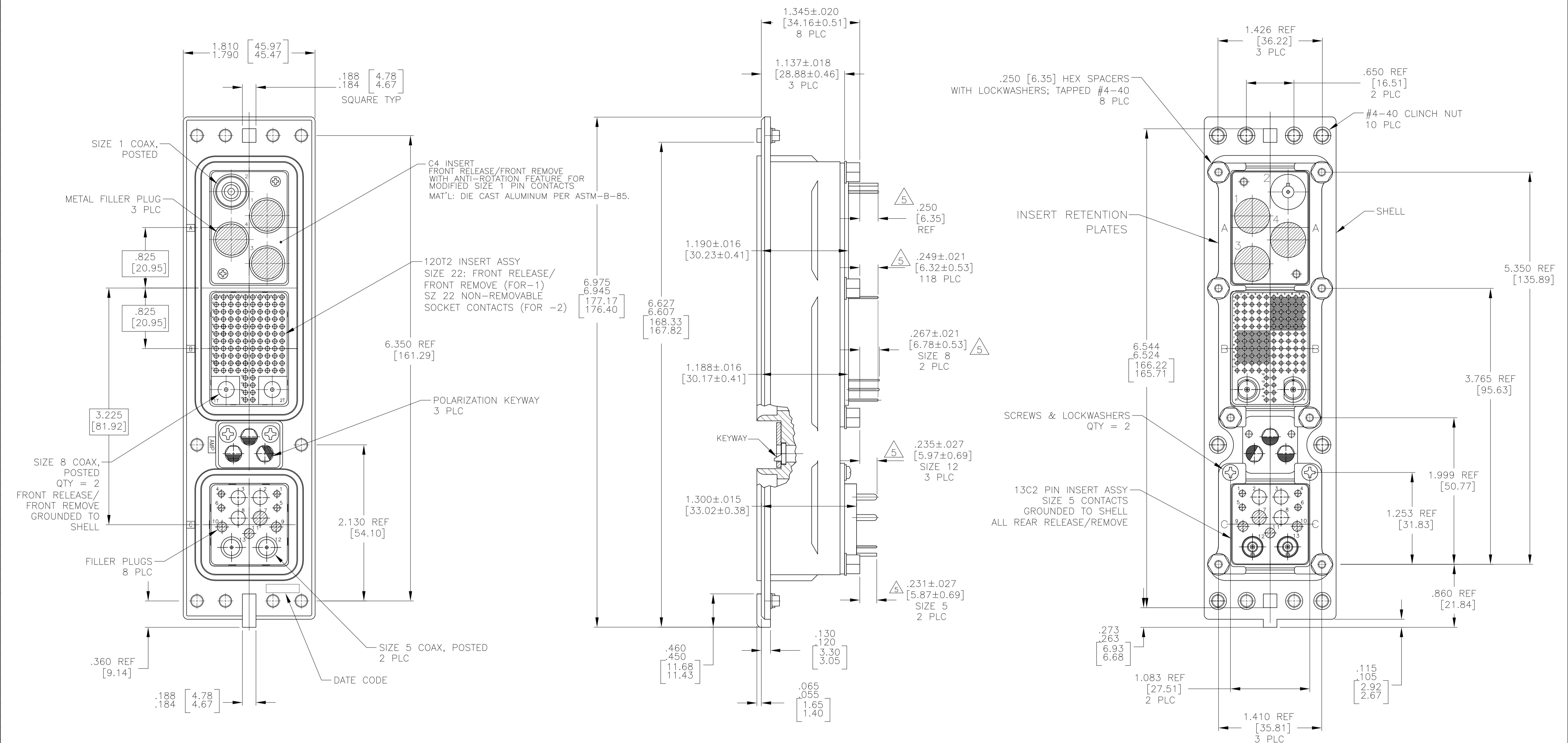
03	7	1757691-1
03	6	1757691-1
KEYING POSITION	CONTACTS INCLUDED AND INSTALLED	PART NUMBER

THIS DRAWING IS A CONTROLLED DOCUMENT.

DIMENSIONS: INCHES [mm]	TOLERANCES UNLESS OTHERWISE SPECIFIED:	DIN C.C.THOMAS 2-7-05	APVD K.HOGAN 2-14-05	NAME RCPT ASSY, SIZE 2, SEALED, ARINC 600 (C4/120T2/13C2)
0 PLC ± -	1 PLC ± -	2 PLC ± -	3 PLC ± .005 [0.13]	APPLICATION SPEC
4 PLC ± -	ANGLES ± -	FINISH SEE TABLE	WEIGHT -	RESTRICTED TO
MATERIAL SEE TABLE	FINISH SEE TABLE	SIZE A1	CAGE CODE 00779	DRAWING NO. 1757691
CUSTOMER DRAWING			SCALE 3:2	SHEET 1 OF 2

STE TE Connectivity

LOC		DIST		REVISIONS			
P	LTR	DESCRIPTION	DATE	DN	APVD		
SEE SHEET #1							



THIS DRAWING IS A CONTROLLED DOCUMENT.		DN C.C.THOMAS 2-7-05	TE Connectivity
DIMENSIONS: INCHES [mm]		CHK K.HOGAN 2-14-05	
TOLERANCES UNLESS OTHERWISE SPECIFIED:		APVD K.HOGAN 2-14-05	NAME RCPT ASSY, SIZE 2, SEALED, ARINC 600 (C4/120T2/13C2)
0 PLC ± -	1 PLC ± -	PRODUCT SPEC	SIZE A1
2 PLC ± -	3 PLC ± -	APPLICATION SPEC	CAGE CODE 00779
4 PLC ± .005 [0.13]	ANGLES ± -	WEIGHT	DRAWING NO 1757691
MATERIAL SEE TABLE	FINISH SEE TABLE	CUSTOMER DRAWING	RESTRICTED TO
		SCALE 3:2	SHEET 2 OF 2