

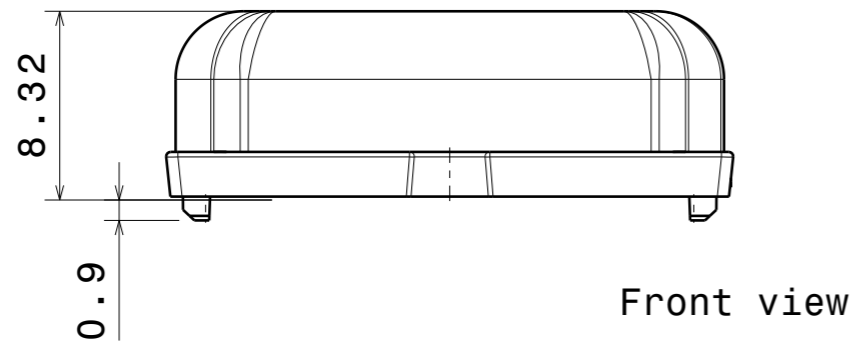
DETAILS

Product Number	C14657_STRADA-SQ-ANZ-V
Family	Strada
Type	Lens
Color	clear
Diameter	25x25 mm
Height	8,1 mm
Style	square
Optic Material	PMMA
Holder Material	
Fastening	screw, tape, pin, glue
Status	production ready
ROHS Compliant	Yes
Date Updated	24/11/2015

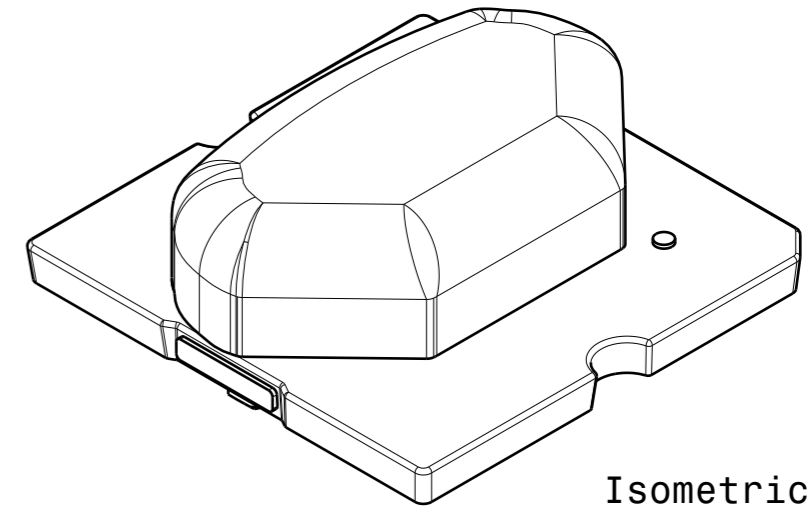


OPTICAL PROPERTIES

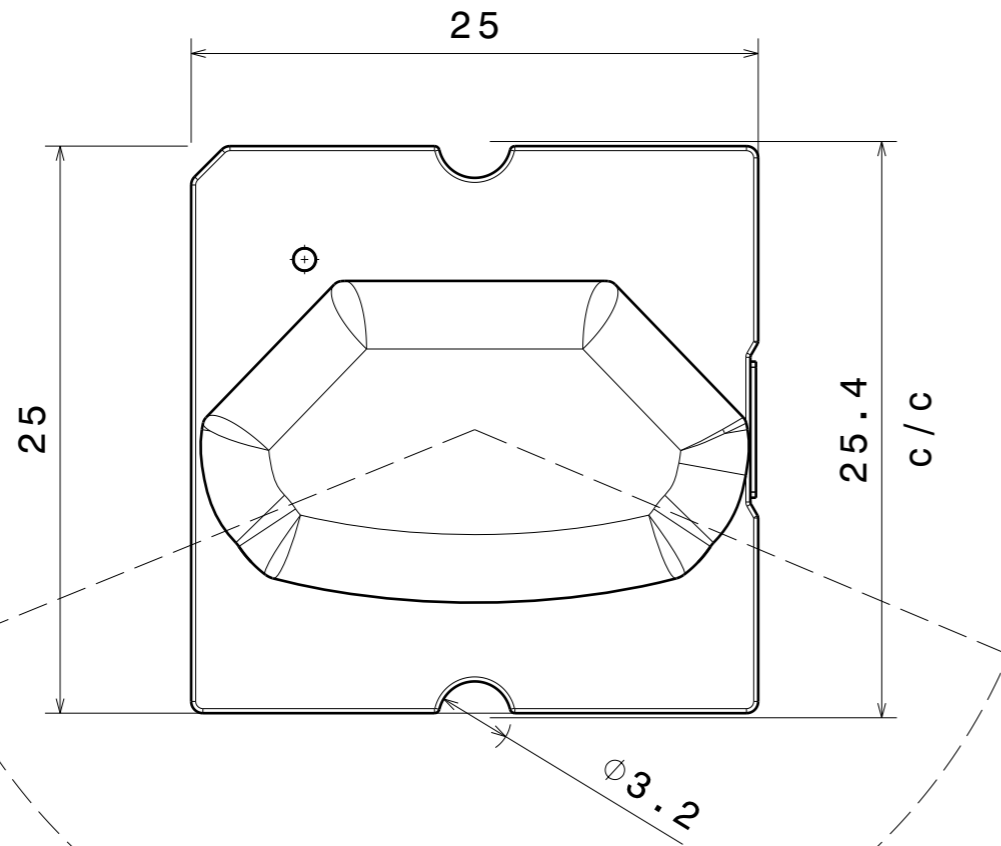
LED	Viewing Angle	Light Beam	Efficiency	cd/lm	Connector
XHP35 HD	sim: Asym	Asymmetric	sim: 94 %	sim: 0.400	-
LUXEON M/MX	Asymmetric deg	Asymmetric	94 %	0.470	-
Duris P10	sim: Asymmetric	Asymmetric	sim: 92 %	-	-



Front view

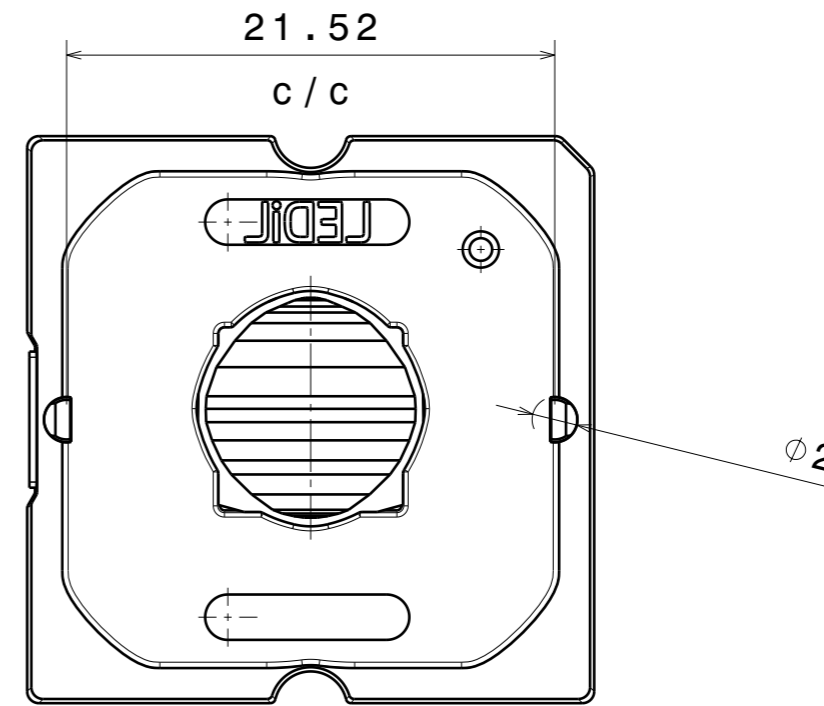


Isometric view



Top view

Beam direction



Bottom view

INDEX	PART NO	DESCRIPTION	MATERIAL	COLOUR
1	C14657	STRADA-SQ-ANZ-V	PMMA	

Tolerances if not otherwise shown
According to DIN ISO 2768-1
Linear measures:
up to 30mm class M, otherwise class C
According to DIN ISO 2768-2
Form and position: class L

LEDiL LediL Oy
Salorankatu 10
FIN 24240 SALO
Finland

THIRD ANGLE PROJECTION:

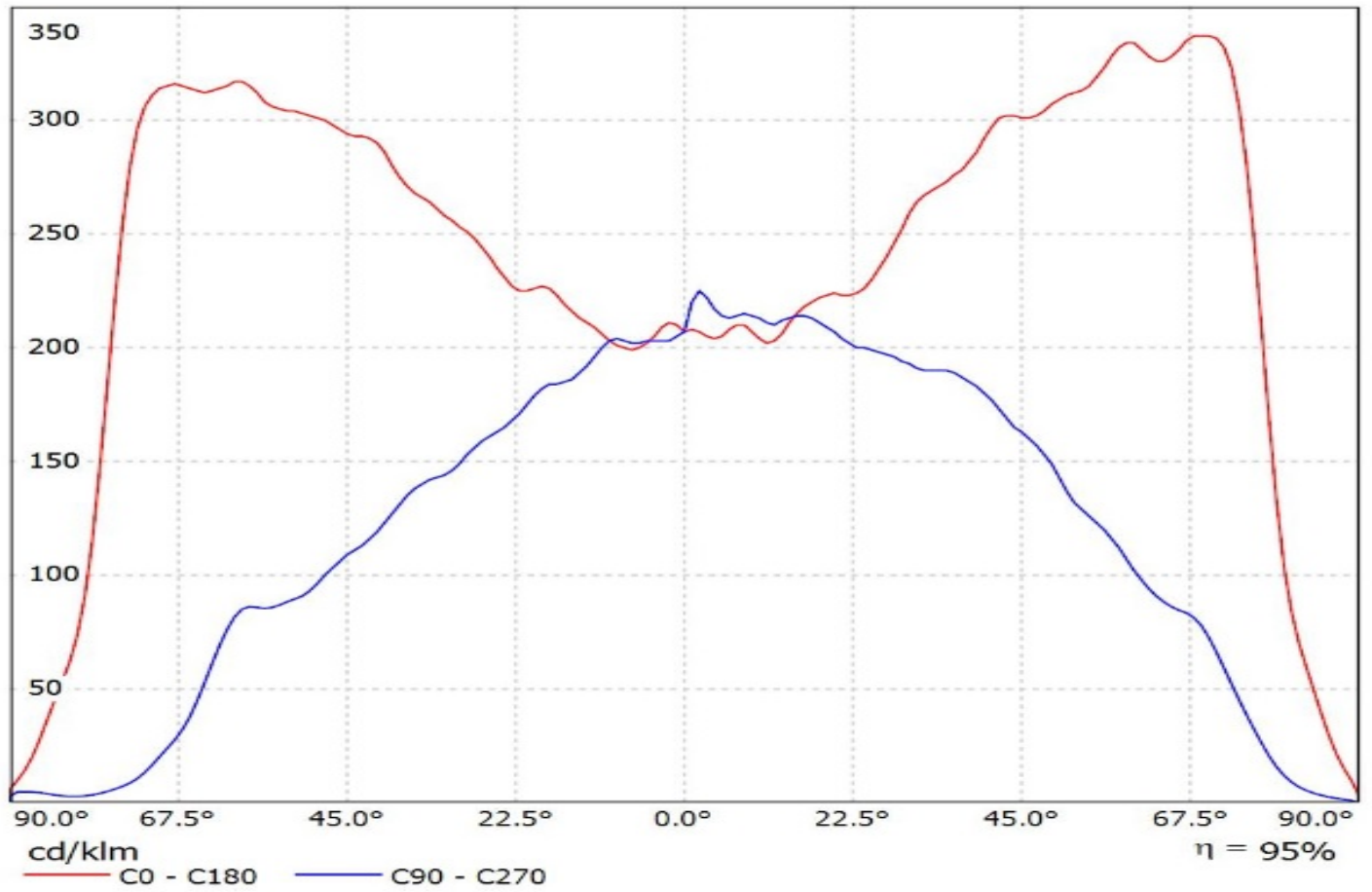
DRAWING TITLE
C14657_STRADA-SQ-ANZ-V

This drawing is the property of LEDiL Oy. It may not be reproduced, copied or communicated without a written agreement with LEDiL Oy.

SIZE	PART NUMBER
A3	C14657

SCALE	3:1	WEIGHT	2,53 g	SHEET	1/1
-------	-----	--------	--------	-------	-----

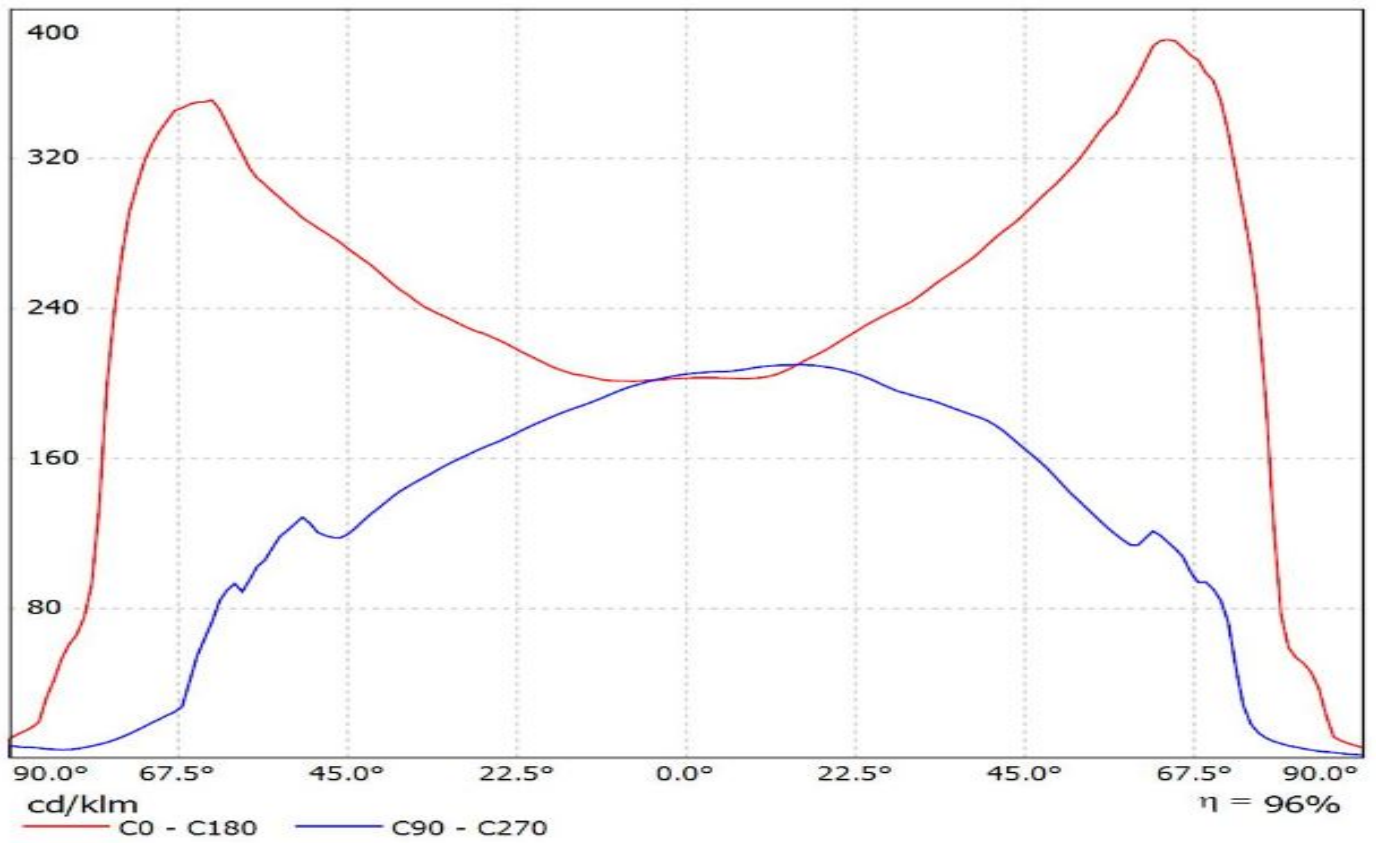
Luminaire: Ledil Oy C14657_STRADA-SQ-ANZ-V_(XHP35_HD)_SIMULATED
Lamps: 1 x Cree XHP35 HD



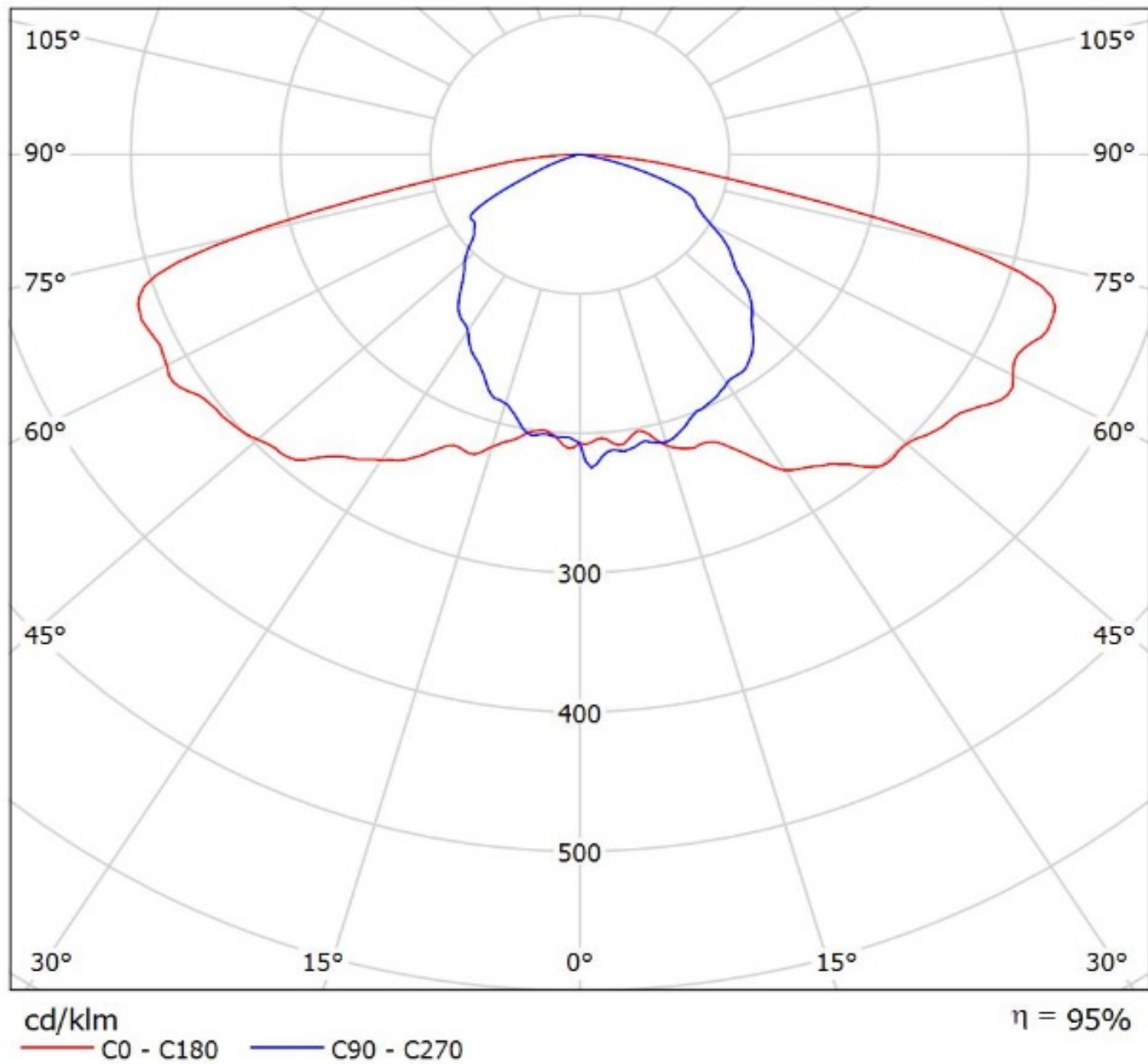
Ledil C14657_STRADA-SQ-ANZ-V_(Luxeon_M) / LDC (Linear)

Luminaire: Ledil C14657_STRADA-SQ-ANZ-V_(Luxeon_M)

Lamps: 1 x Luxeon_M_(LXR8-SW30)_364.274lm@250mA_P=2.7778W_I=0.25A



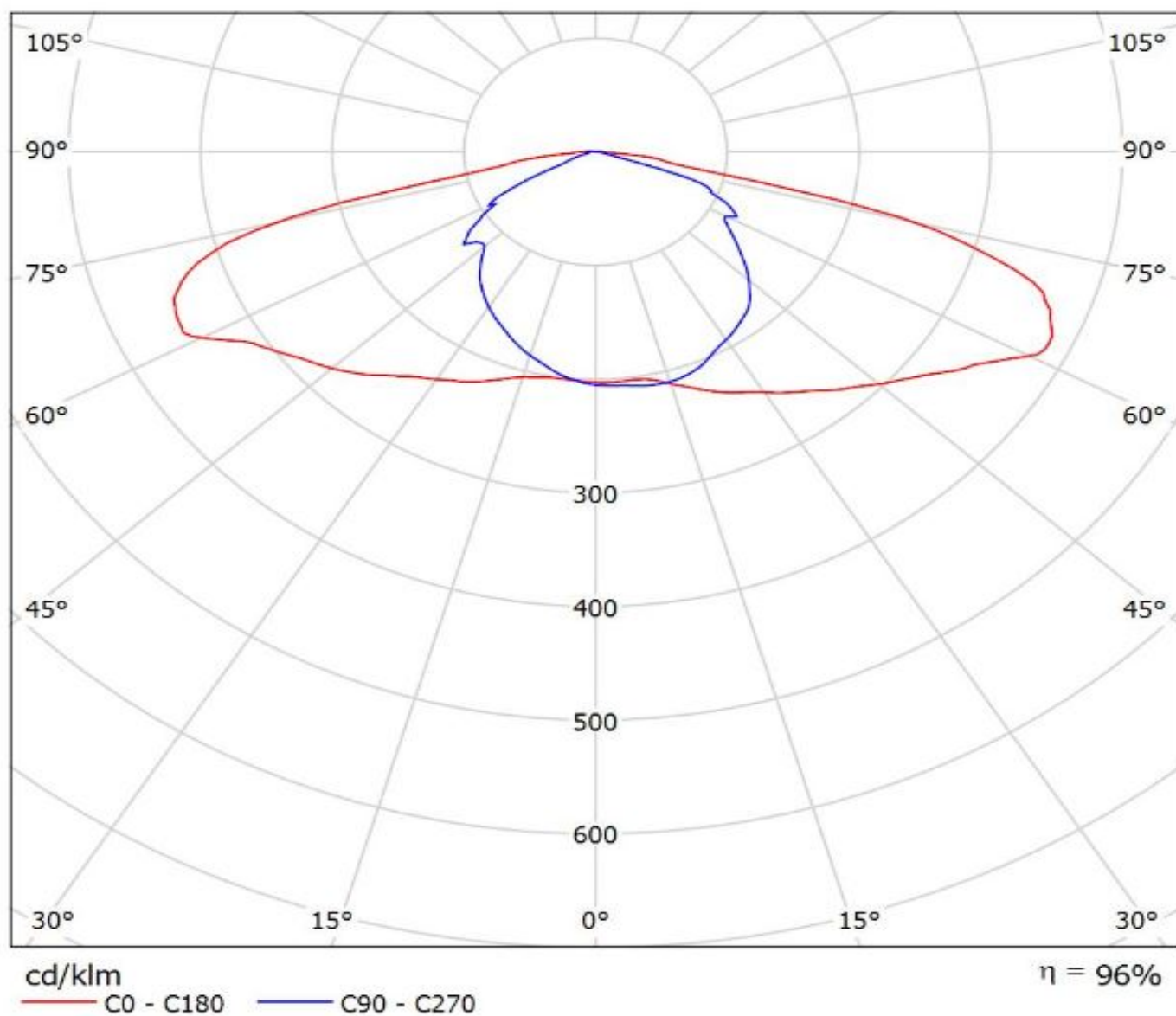
Luminaire: Ledil Oy C14657_STRADA-SQ-ANZ-V_(XHP35_HD)_SIMULATED
Lamps: 1 x Cree XHP35 HD



Ledil C14657_STRADA-SQ-ANZ-V_(Luxeon_M) / LDC (Polar)

Luminaire: Ledil C14657_STRADA-SQ-ANZ-V_(Luxeon_M)

Lamps: 1 x Luxeon_M_(LXR8-SW30)_364.274lm@250mA_P=2.7778W_I=0.25A



NOTE: The typical divergence will be changed by different color, chip size and chip position tolerance. The typical total divergence is the full angle measured where the luminous intensity is half of the peak value.