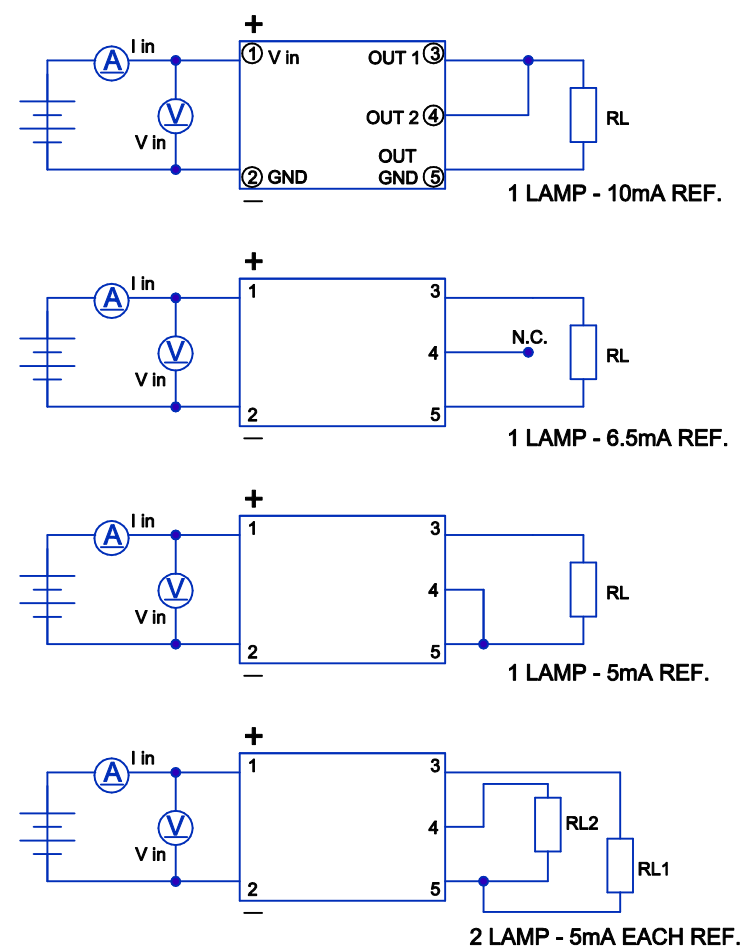
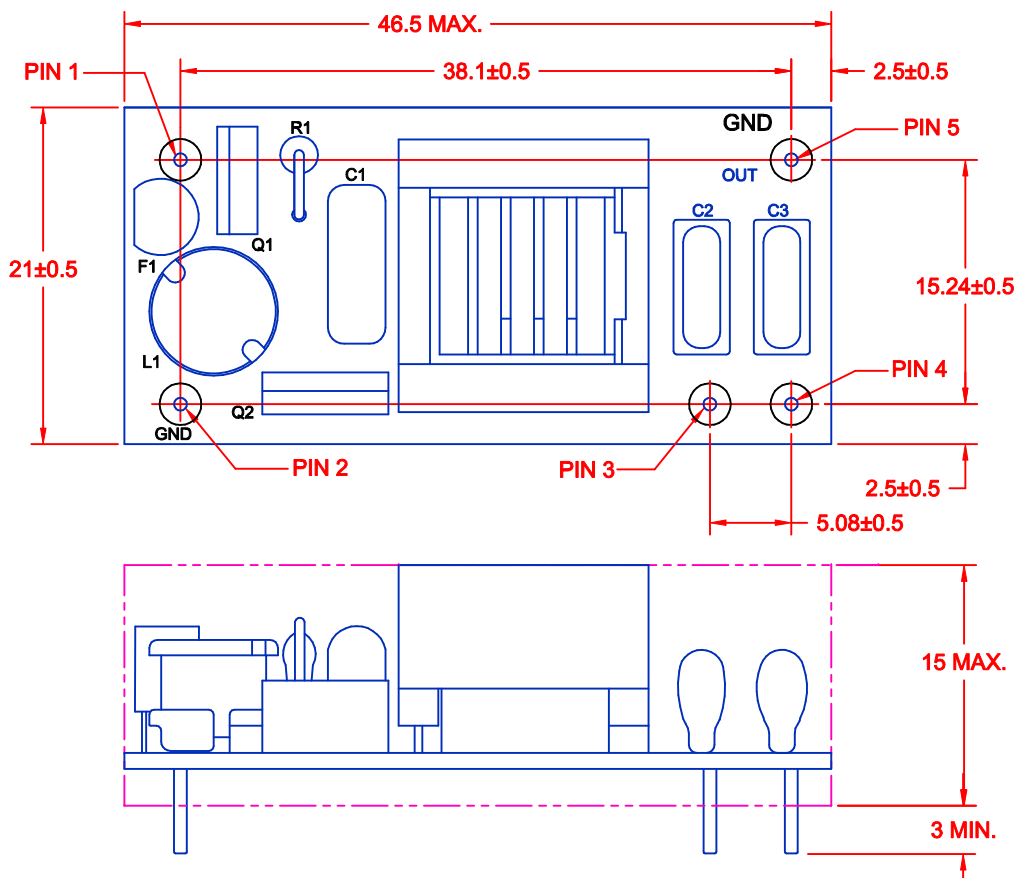


REV.	DESCRIPTION/ECO NO.	DATE
	RELEASED	3/10/03



BOARD PIN #	INPUT
1	+V (V in)
2	V (GND)
3	OUT 1
4	OUT 2
5	OUT (GND)

CAUTION:
REVERSE POLARITY TO INVERTER
INPUT WILL CAUSE AN OPEN CIRCUIT
IN FUSE F1.

CHARACTERISTICS	MIN	TYP	MAX
INPUT VOLTAGE: (vdc)	21.6	24.0	26.4
INPUT CURRENT: (mA)	80	140	200
OUTPUT VOLTAGE: (Vrms)	900	1000	1100
OUTPUT CURRENT (mA) x 2	4.5	5.5	6.5
OUTPUT FREQUENCY: (kHz)	20	30	45
OPERATING TEMP: (CELSIUS)	0	25	50

 METRIC THIRD ANGLE PROJECTION	DIMENSIONS ARE IN MILLIMETERS TOLERANCE UNLESS OTHERWISE SPECIFIED 1 PL +/- 0.3 2 PL +/- ANGLE +/- 0	JKL COMPONENTS CORPORATION			
	TITLE 24 V CCFL POWER SUPPLY				
DRAWN BY L. WENGSTROM	APP'VD BY F.D.	DATE 3/10/03	SIZE A	FSCM NO. 55335	DRAWING NO. BXA-24529
- CAD DRAWING - MANUAL REVISIONS NOT PERMITTED			SCALE NONE	RELEASED DATE 3/10/03	REVISION DATE
				REV. NO. 	SHEET OF