

H G F E D C B A

4

3

2

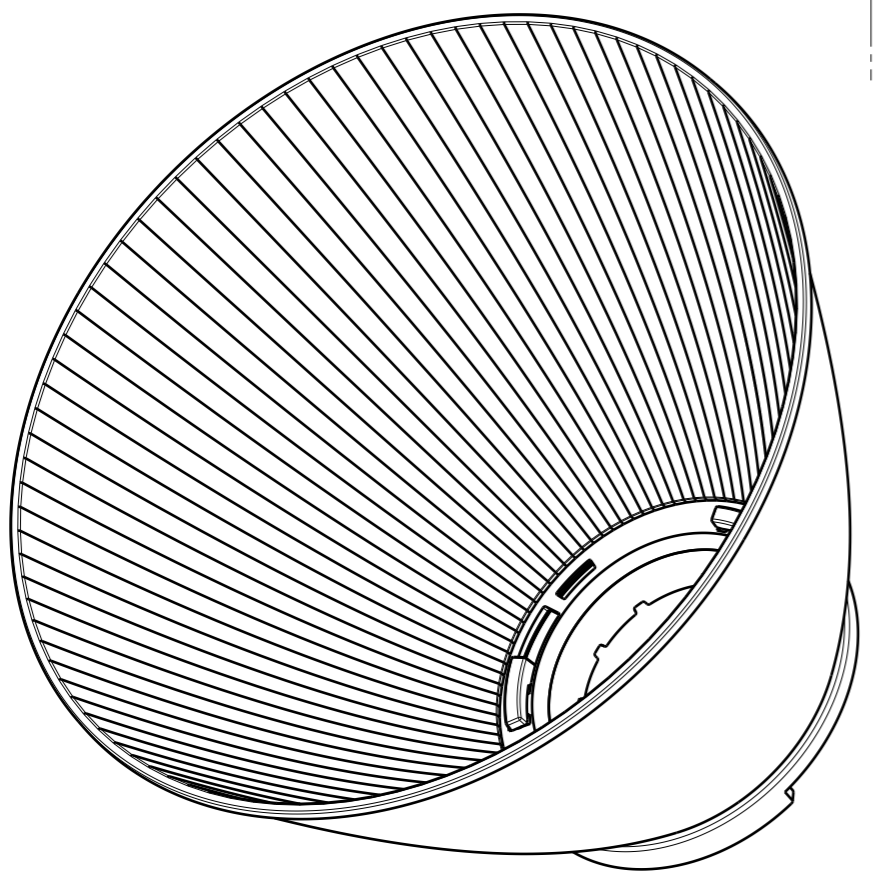
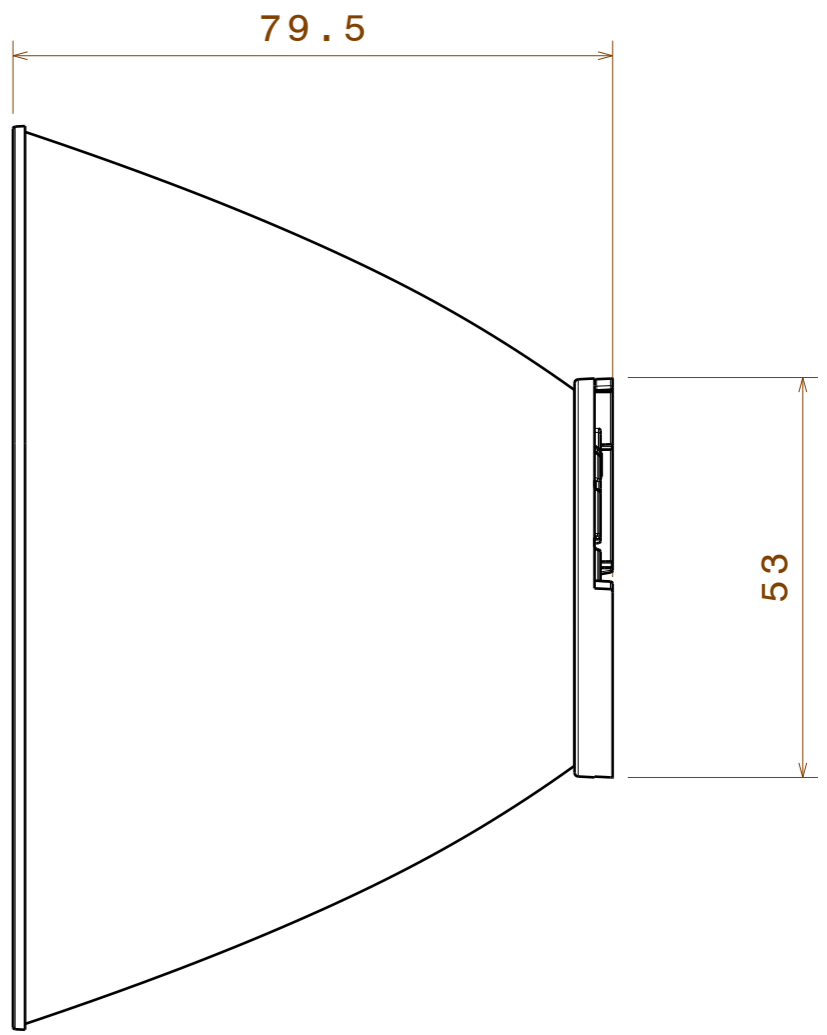
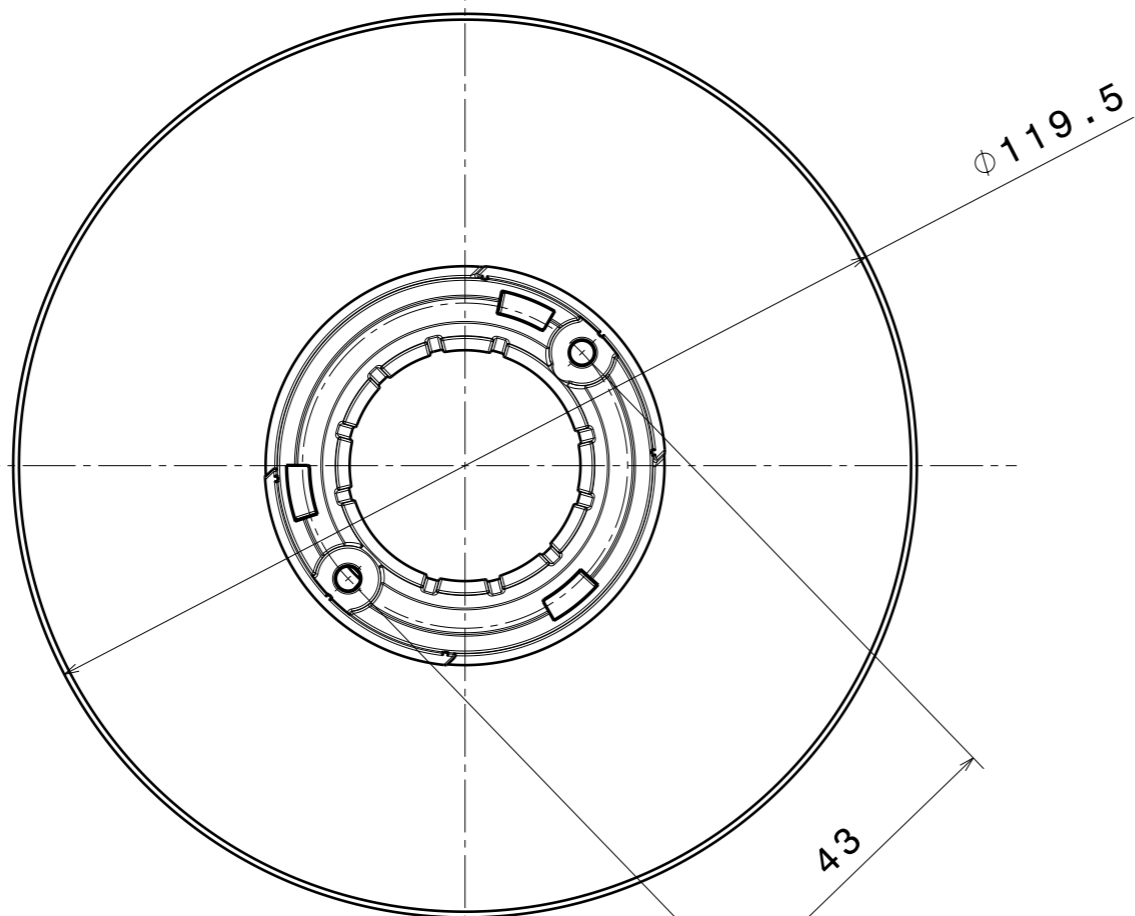
1

4

3

2

1



Tolerances if not otherwise shown
 According to DIN ISO 2768-1
 Linear measures:
 Up to 30mm class M, otherwise class C.
 According to DIN ISO 2768-2
 Form and position: class L

LEDiL Ledil Oy
 Salorankatu 10
 FIN 24240 SALO
 Finland

THIRD ANGLE PROJECTION:

DRAWING TITLE
DATA SHEET ANGELA - VERO SOCKET 29

This drawing is the property
 of LEDiL Oy. It may not be
 reproduced, copied or
 communicated without a written
 agreement with LEDiL Oy."

| | | | |
|------|-------------|--|--|
| SIZE | PART NUMBER | | |
| A3 | - | | |

| | | | | | |
|-------|-----|--------|---|-------|-----|
| SCALE | 1:1 | WEIGHT | - | SHEET | 1/1 |
|-------|-----|--------|---|-------|-----|

H G B A