



FSVPLC

Inline Flow Switch for connection to PLC

- **Signal level output for PLC**
 - **0.6 l/min or 3.0 l/min turn on flow rate**
 - **Automatic shut down on flow stop**
 - **Volt free contact for output to PLC**
- **1" BSP pipe connections**



Technical Specification			FSVPLC06		FSVPLC30
Flow Tube Material				Brass	
Start up flow rate	Q. min	l/min	0.6		3.0
Max flow rate	Q max	l/min		80	
Max Pressure	P max	bar		8	
Max Temperature	T max	°C		85	
Pipe connections		BSP		1"	

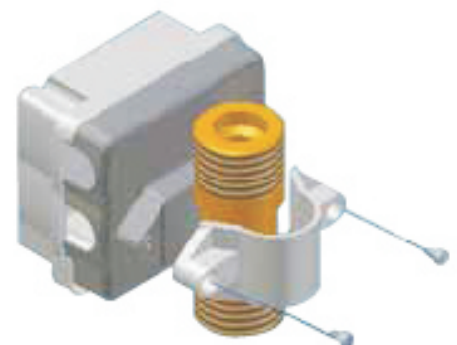
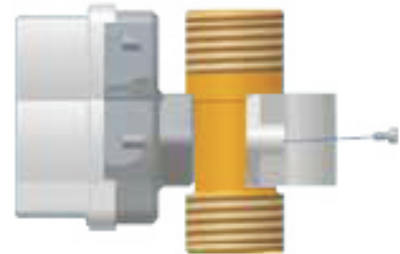
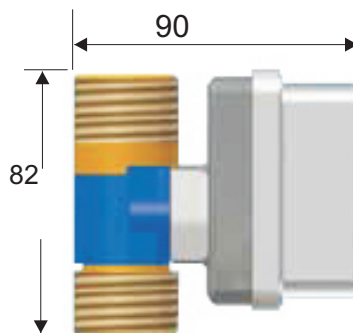
Electrical Specification		
Output		SPNC volt free contact
Max voltage	Vac	<5
Switching Current Max	mA	<1

Standard Parts	On flow rate
FSVPLC06	0.6l/min
FSVPLC30	3.0 l/min

The FSVPLC can be used to control some other equipment or process via a PLC. If used in a pumped system, the device has to be fitted in the pipe above the pump.

The FSVPLC gives an open circuit signal to the PLC once the flow rate through the device exceeds 0.6 l/min, or 3 l/min depending on version.

A flow of less than 0.6 l/min , or 3.0 l/min depending on version, whether due to a lack of supply (e.g. tank empty) or to a decrease in demand(e.g. tap closing), will turn the signal to the control circuit on again.



Cynergy3 Components Ltd.
7 Cobham Road
Ferndown Industrial Estate
Wimborne, Dorset BH21 7PE
Telephone +44 (0) 1202 897969

Email:sales@cynergy3.com

ISO9001 CERTIFIED

www.cynergy3.com



FSVPLC

Inline Flow Switch for connection to PLC

Installation information

The flow switch must be mounted vertically with the flow direction upwards. Pipe connection is G1" (1" BSP). The device relies on the flow of liquid working in opposition to gravity to operate the switch.

The liquid flow moves a plunger inside the brass flow tube, when the flow increases beyond the minimum specified level. A magnet inside the plunger opens a magnetic switch in the control circuit to the PLC.

The output will close, if the flow drops below the specified level and the plunger has returned to the lower position

The output switch will open if the test button is pushed.

The output is a SPNC (when there is no flow) switch with contacts rated to 1mA/5Vac.



Cynergy3 Components Ltd.
7 Cobham Road
Ferndown Industrial Estate
Wimborne, Dorset BH21 7PE
Telephone +44 (0) 1202 897969

Email: sales@cynergy3.com

ISO9001 CERTIFIED

www.cynergy3.com