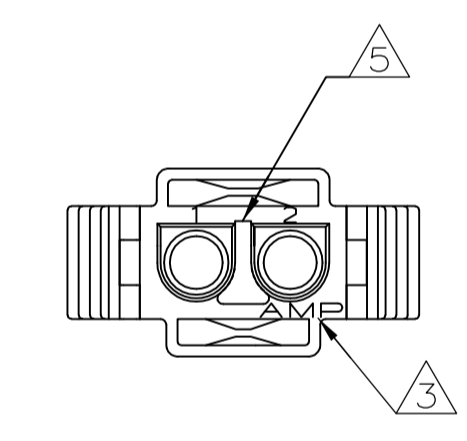
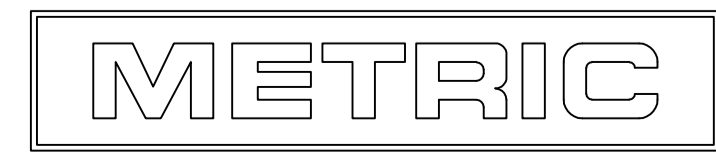


- BULK PACKAGED, UNASSEMBLED.
- APPROVAL AGENCY LOGO LOCATED APPROXIMATELY AS SHOWN.
- AMP LOGO LOCATED THIS SURFACE.
- CIRCUIT NUMBER ONE IDENTIFICATION BUTTON AND CIRCUIT IDENTIFICATION NUMBERS ARE EACH LOCATED ADJACENT TO THE APPROPRIATE CIRCUIT CAVITIES.
- NEW MOLD CONSTRUCTION PROVIDES MATERIAL REDUCTION CORING AT BASE OF SILOS WITH NO CORING AS OPTIONAL.
- DIMENSION INDICATED IS AS MOLDED. ADDITIONAL GROWTH DUE TO SUBSEQUENT MOISTURE ABSORPTION MAY OCCUR.



770017-1
PART NUMBER



THIS DRAWING IS A CONTROLLED DOCUMENT.		DWN K. SALMON 1-22-92	PART NO	
DIMENSIONS: INCHES		CHK R. SWING 1-22-92	TE Connectivity	
TOLERANCES UNLESS OTHERWISE SPECIFIED:		APPV M. TRULL 1-22-92	NAME	
0 PLC ± -		PRODUCT SPEC	PLUG HOUSING KIT, 2 CIRCUIT, IN-LINE, UNIVERSAL MATE-N-LOK™ II	
1 PLC ± -		APPLICATION SPEC	SIZE	CAGE CODE
2 PLC ± -			A1	00779
3 PLC ± 0.13 [.005]			SCALE	5:1
4 PLC ± -			SHEET	1 OF 1
ANGLES ± ± -			REV	D1
MATERIAL NYLON,UL94V-0,	FINISH -	WEIGHT -	CUSTOMER DRAWING	