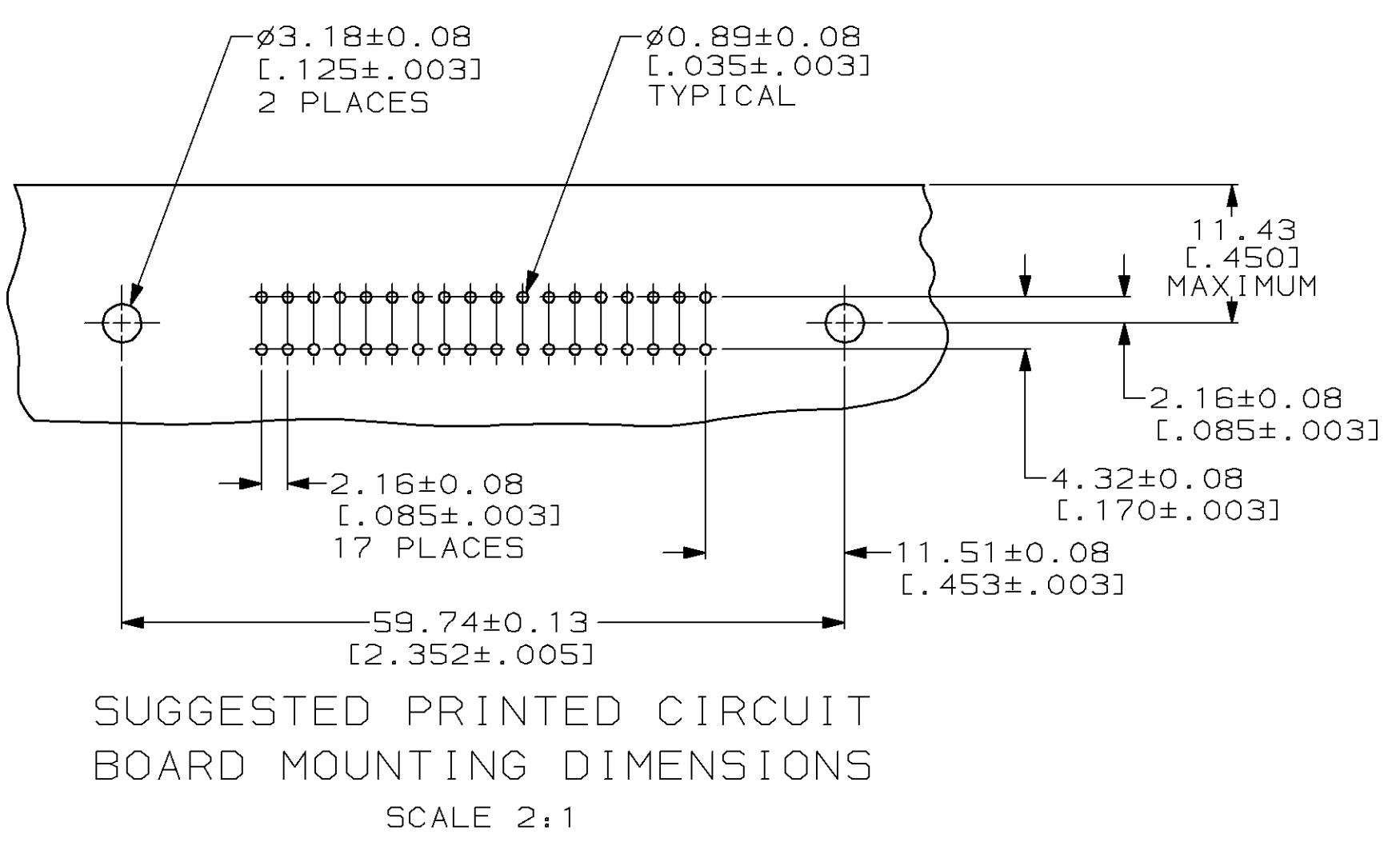
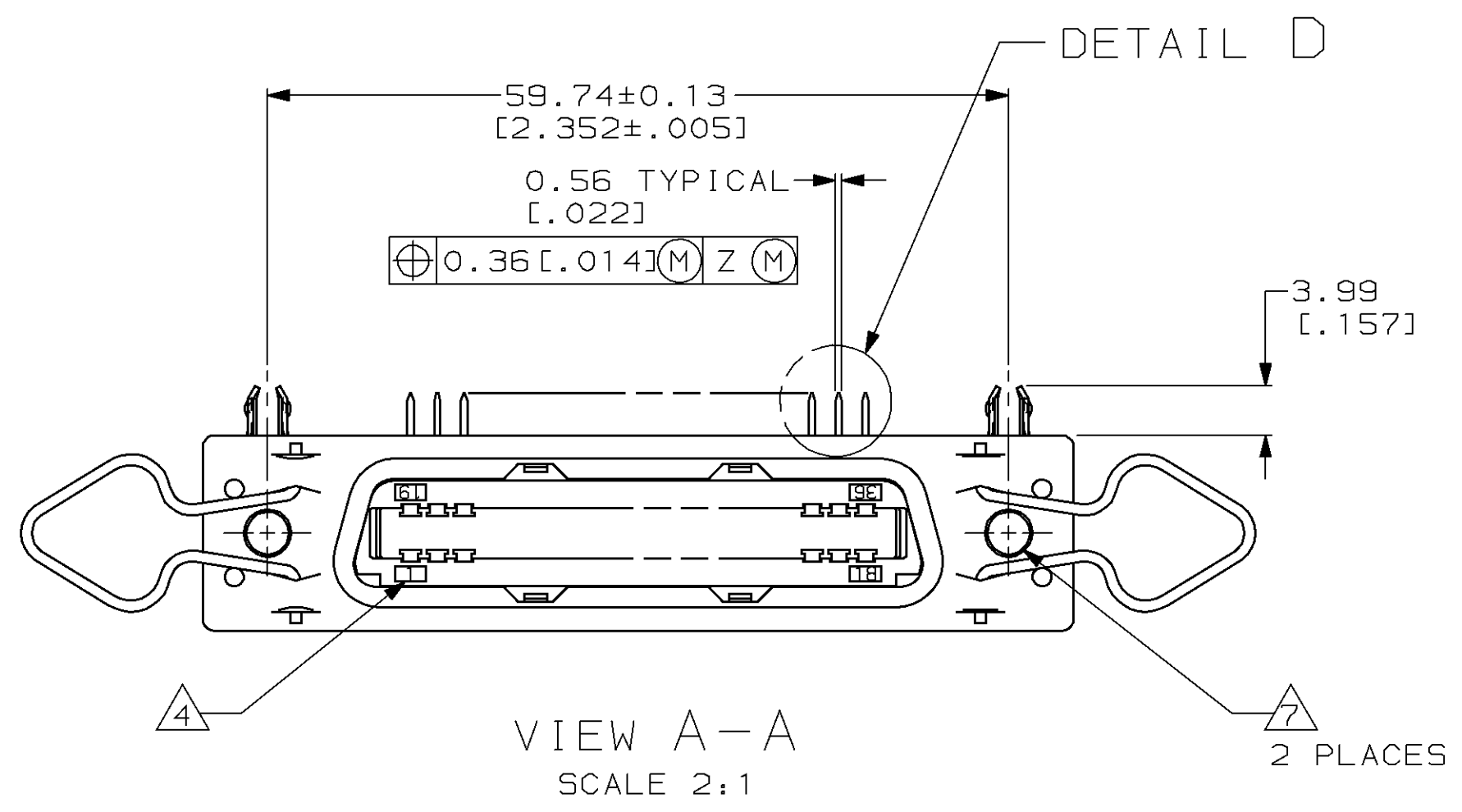
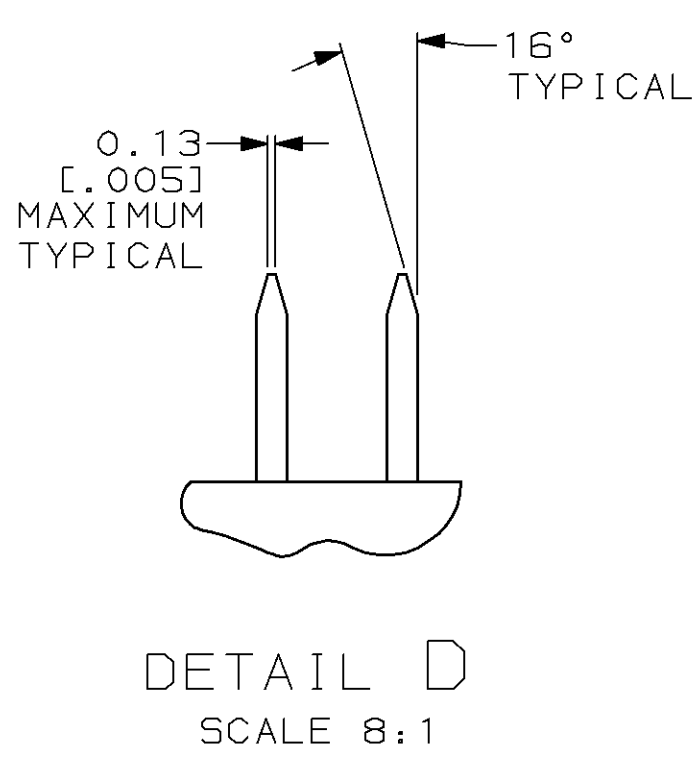
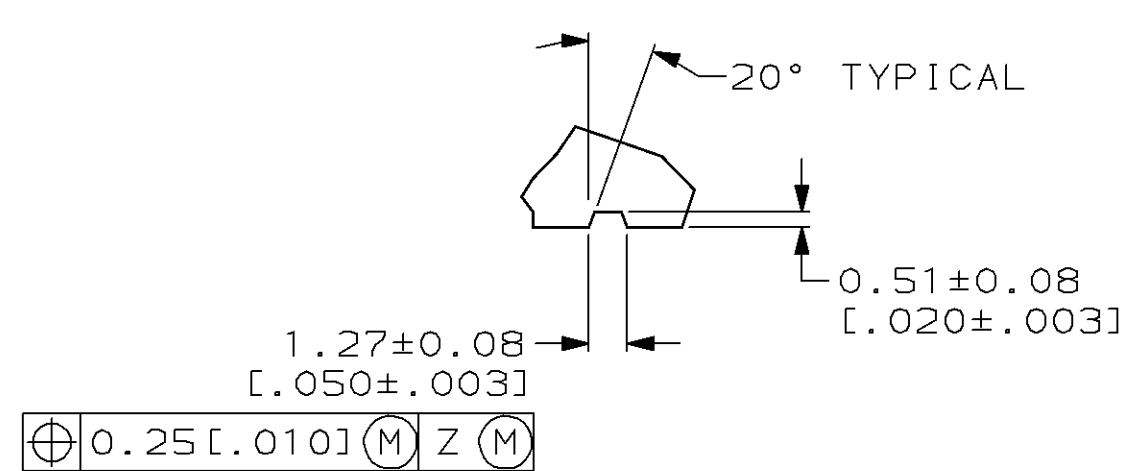
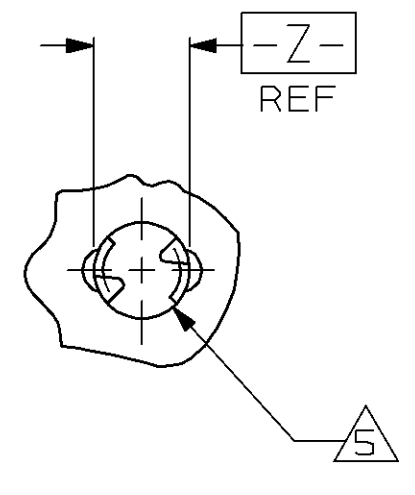
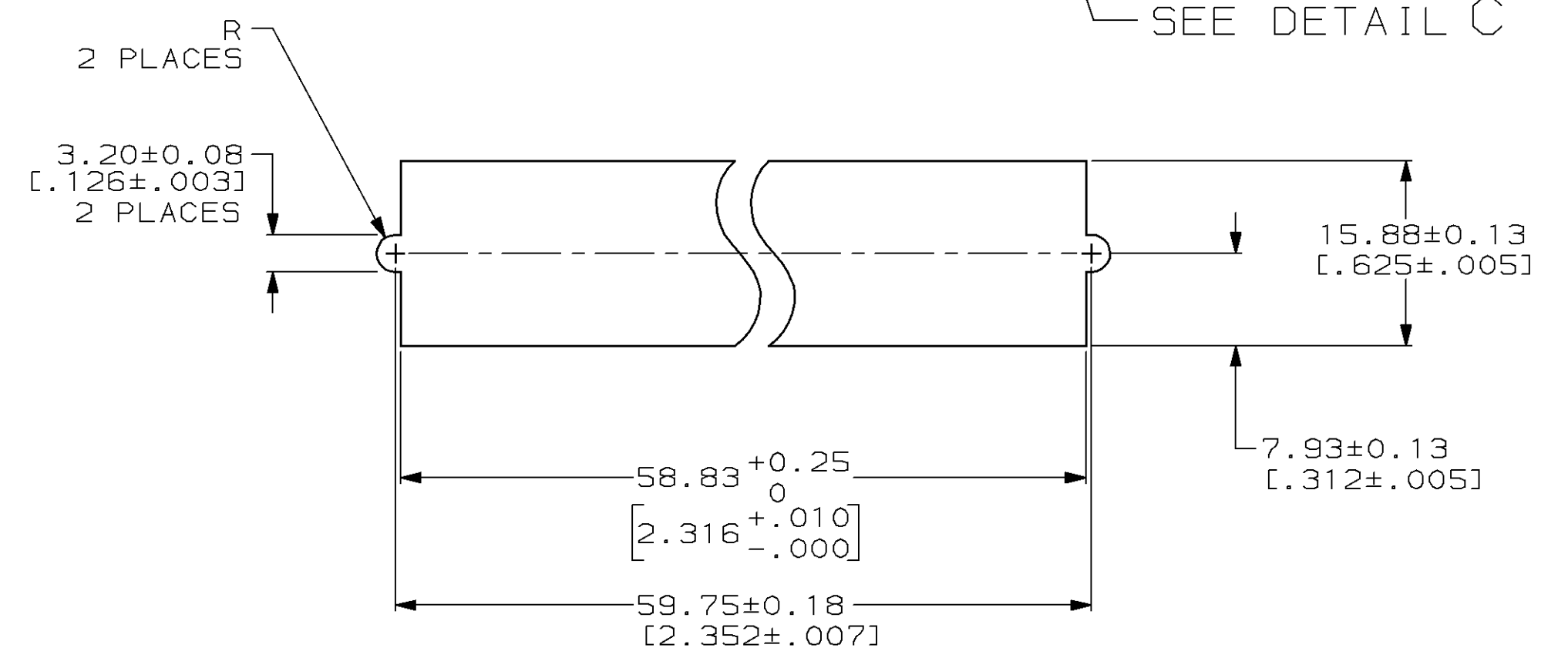
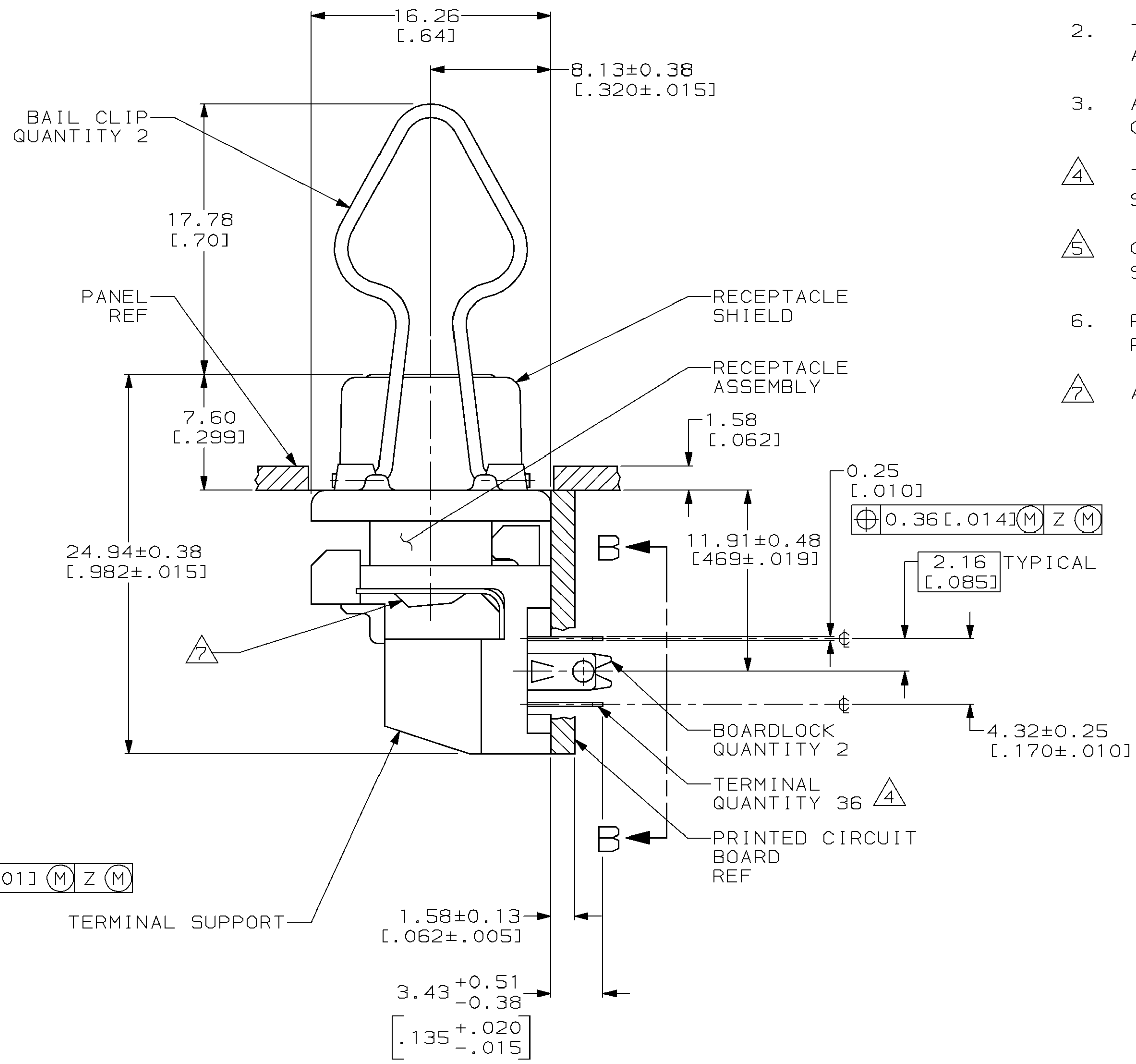
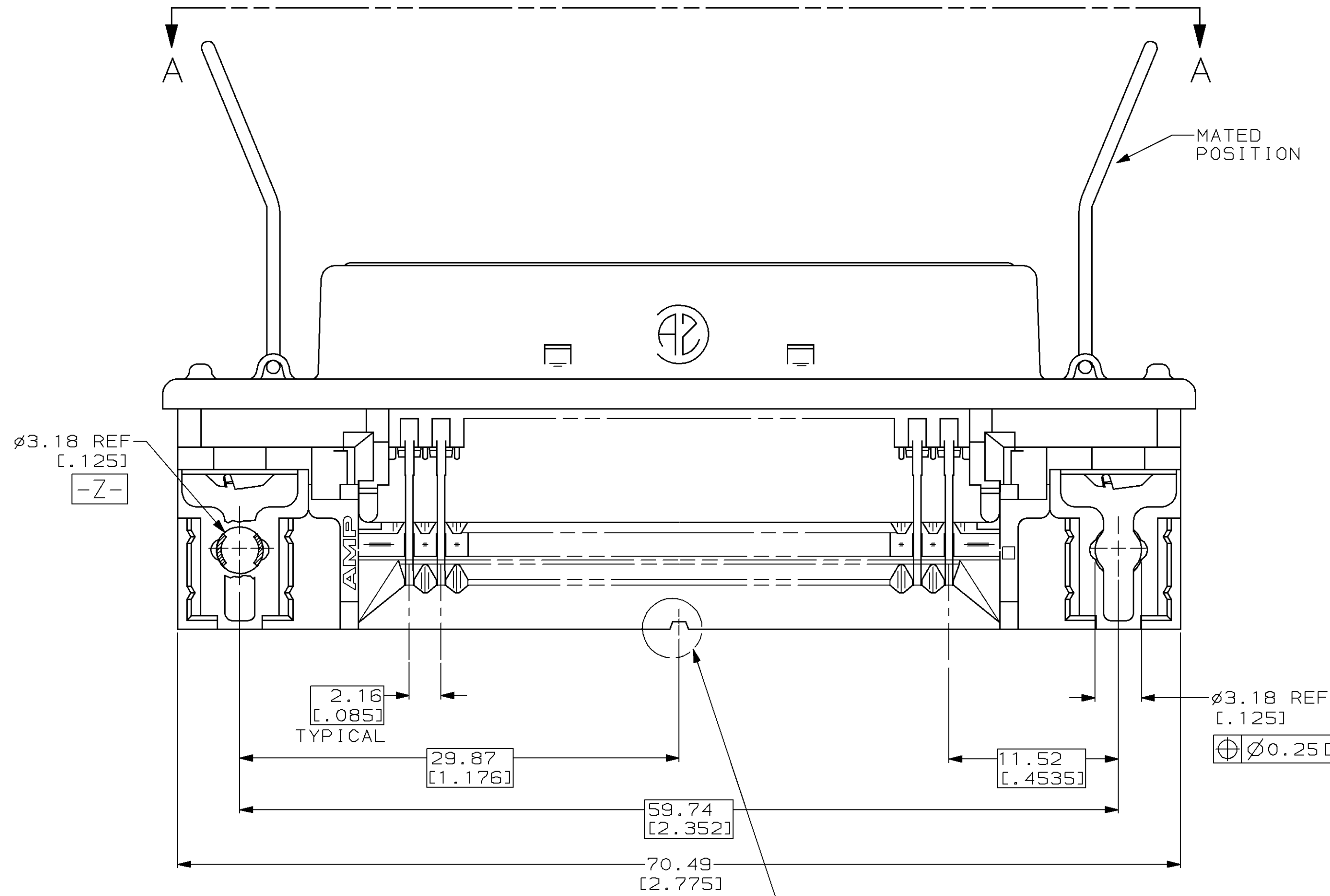


LOC	DIST	REVISIONS			
P	LTR	DESCRIPTION	DATE	OWN	APVD
R	REV	EC 0502-0441-97	02JUL97	GG	RF



- MATERIAL:
 TERMINAL SUPPORT - 94 V-0 HTN, BLACK, OR EQUIVALENT.
 HOUSING - 94 V-0 HTN, BLACK, OR EQUIVALENT.
 BAIL CLIPS - PASSIVATED STAINLESS STEEL.
 RECEPTACLE SHIELD - BRIGHT NICKEL OVER CARBON STEEL.
 TERMINAL TAILS - TIN LEAD OVER NICKEL PLATED HIGH STRENGTH COPPER ALLOY.
 MATING SURFACE - LOCALIZED GOLD OVER NICKEL PLATED HIGH STRENGTH COPPER ALLOY.
 BOARDLOCK - TIN LEAD PLATED CARBON STEEL.
- THE CONTACT SURFACES OF THE TERMINALS ARE COATED WITH LUBRICANT.
 - ALL DIMENSIONS SHOWN ARE MAXIMUM UNLESS OTHERWISE SPECIFIED.
 - TERMINAL 1 LOCATED IN THIS ROW FOR STANDARD ORIENTATION.
 - CYLINDRICAL SHAPE OFFERS 180° OF SOLDERING SURFACE.
 - PART WILL WITHSTAND INFRARED AND VAPOR PHASE REFLOW TEMPERATURE FOR 90 SECONDS.
 - ACCOMMODATES #4-40 UNC-2A THREAD.



555520-2
PART NUMBER

DIMENSIONS (INCHES)		TOLERANCES UNLESS OTHERWISE SPECIFIED		DWG		AMP	
0 PLC	±	0	±	RAB/UTA	9-22-95	AMP Incorporated	
1 PLC	±	1	±	JONES	9-28-95	Harrisburg, PA 17105-3508	
2 PLC	±	2	±	NAME		RCPT ASSY, SHIELDED,	
3 PLC	±	3	±	PRODUCT SPEC		36 POSN, RIGHT ANGLE, WITH	
4 PLC	±	4	±	APPLICATION SPEC		THREADED BOARDLOCK, CHAMP	
ANGLES	±	5	±	SIZE	CAGE CODE	DRAWING NO	
FINISH	±	6	±	A1	00779	C-555520	
MATERIAL				WEIGHT		SCALE 4:1	SHEET 1 OF 1
CUSTOMER DRAWING				REV R			