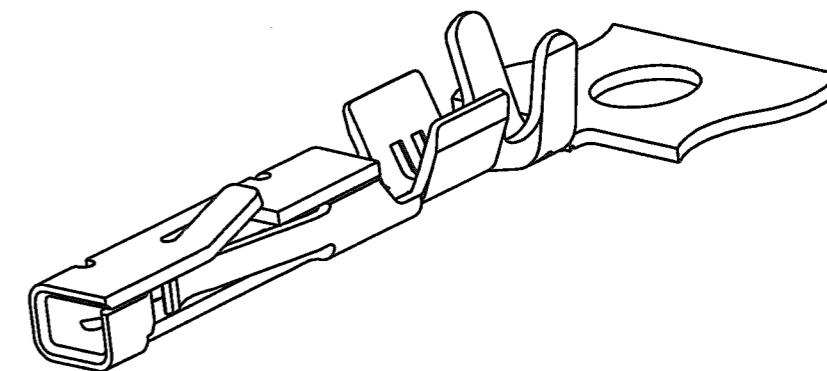
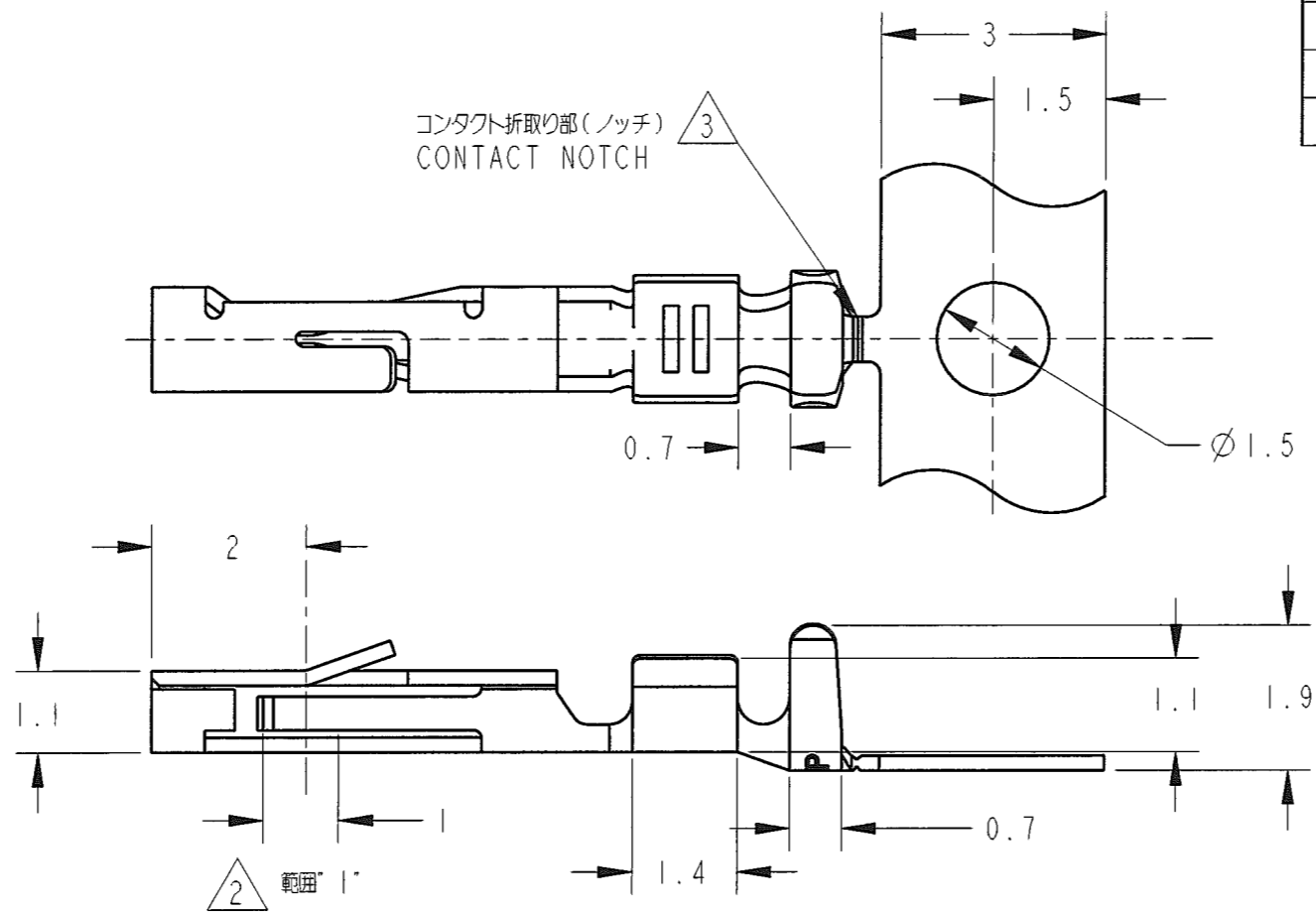


LOC	DIST	REVISIONS						
		P	LTR	DESCRIPTION	DATE	DWN	APVD	
J	-	0		RELEASED	FJ00-1712-01	28AUG2000	T.K	K.I
		A		REVISED	FJ00-0119-03	21JAN2003	K.I	T.K



- 1 材料:りん青銅、板厚0.2mm
- 2 仕上げ
全面1.27μm以上のNiめっきの上に
範囲 1 (接点部)に0.76μm以上のAuめっきを施す。
- 3 ノッチ付き端子製品型番:1376260-1 (ハンドツール用)
ノッチなし端子製品型番:1376260-2,-6 (アプリケーション用)
- 4. 供給形態:リールにて供給、15000EA/リール
- 5 仕上げ
全面1.27μm以上のNiめっきの上に
範囲 1 (接点部)に0.38μm以上のAuめっきを施す。

- 1 MATERIAL PHOS-BRONZ, 0.2mm THK
FINISH
UNDERCOATING:1.27μm MIN. NICKEL ALL OVER
- 2 ZONE "1":0.76μm MIN. GOLD
CONTACT P/N WITH NOTCH:1376260-1
(FOR HAND TOOL)
- 3 STRIP TERMINAL P/N :1376260-2,-6
(W/O NOTCH, FOR APPLICATOR)
- 4. SUPPLY BY REEL.15000EA/REEL
- 5 FINISH
UNDERCOATING:1.27μm MIN. NICKEL ALL OVER
ZONE "1":0.38μm MIN. GOLD

THIS DRAWING IS A CONTROLLED DOCUMENT FOR TYCO ELECTRONICS CORPORATION
IT IS SUBJECT TO CHANGE AND THE CONTROLLING ENGINEERING ORGANIZATION
SHOULD BE CONTACTED FOR THE LATEST REVISION.

DIMENSIONS: 単位: 概 mm		TOLERANCES UNLESS OTHERWISE SPECIFIED:	
		0-PLC	±0.2
		1-PLC	±-
		2-PLC	±-
		3-PLC	±-
		4-PLC	±-
		ANGLES	±3°
MATERIAL 材料	1	FINISH 仕上	2 5

DWN	28AUG2000
T. KATANO	
CHK	28AUG2000
K. IKEGAMI	
APVD	28AUG2000
K. IKEGAMI	
PRODUCT SPEC	108-5689
APPLICATION SPEC	114-5283
WEIGHT	0.07g/EA
CUSTOMER DRAWING	

FOR APPLICATOR	SEE NOTE 5	1376260-6
FOR APPLICATOR	SEE NOTE 2	1376260-2
FOR HAND TOOL		1376260-1
DESCRIPTION 3	FINISH	P/N
WIRE RANGE 絶縁電線断面積	AWG#26~#30	INSULATION DIA 絶縁外径
		φ0.70~φ0.98
		Tyco Electronics AMP K.K. Kawasaki, Japan
NAME 名称		
RECEPTACLE CONTACT AMP MCC CONN		
SIZE	CAGE CODE	DRAWING NO
A3	00779	1376260
RESTRICTED TO		-
SCALE 尺度	10:1	SHEET OF
		REV A