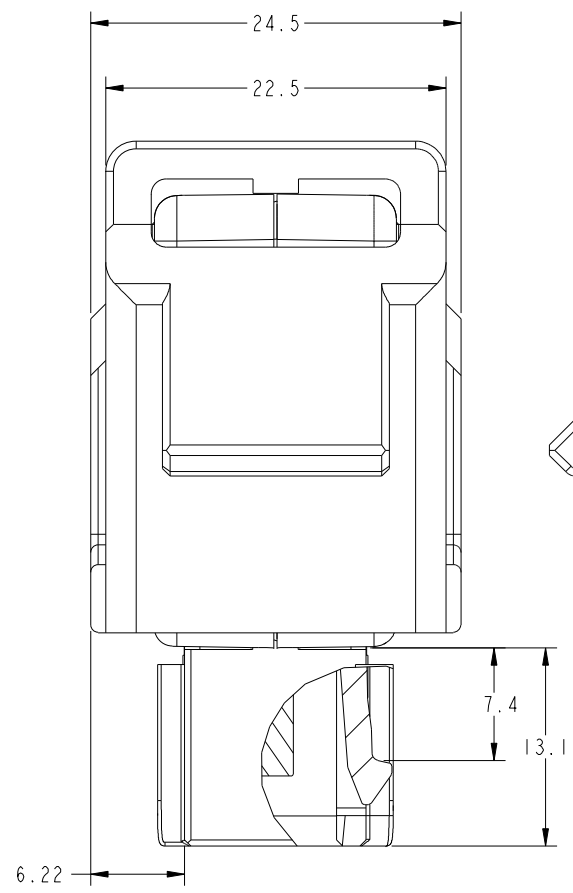
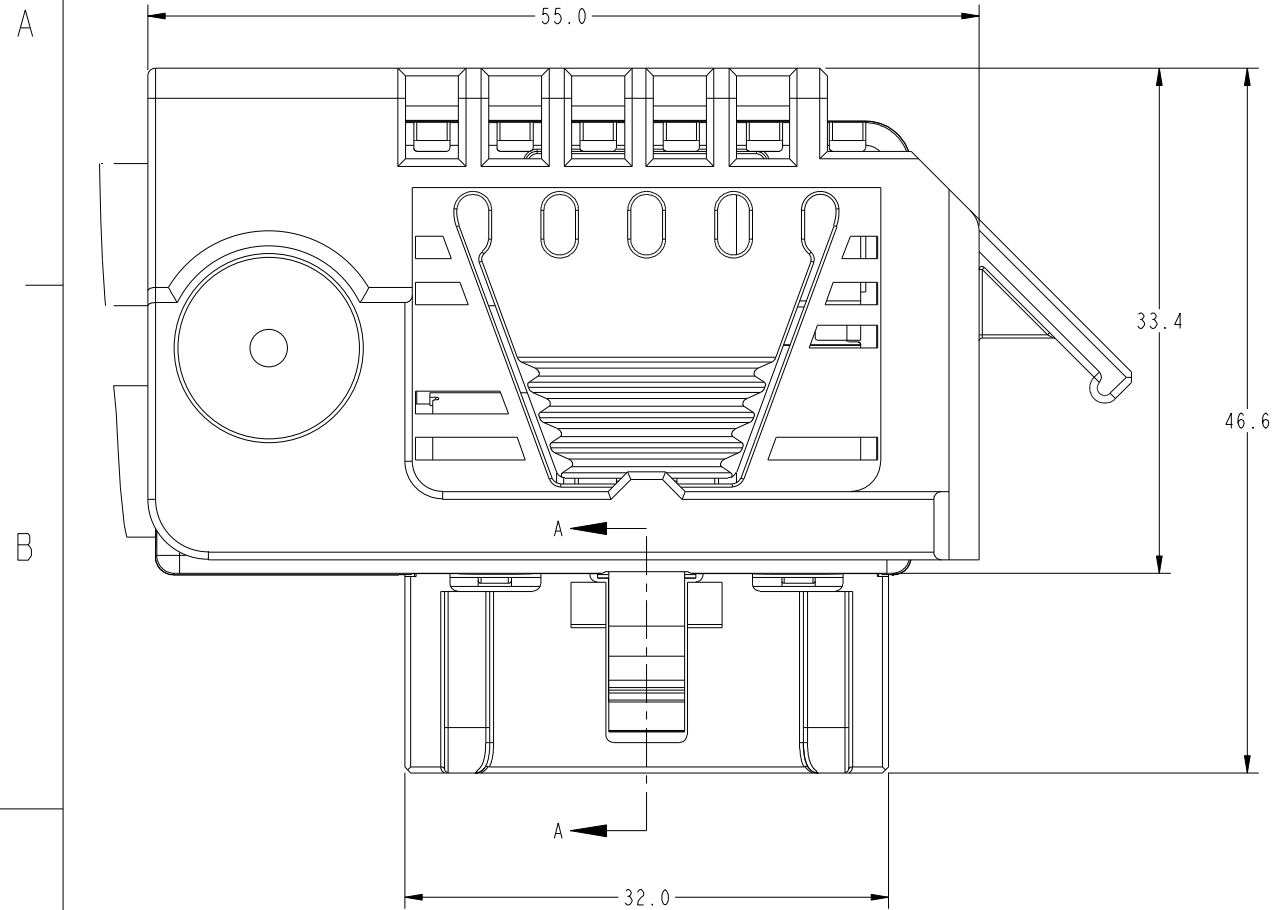
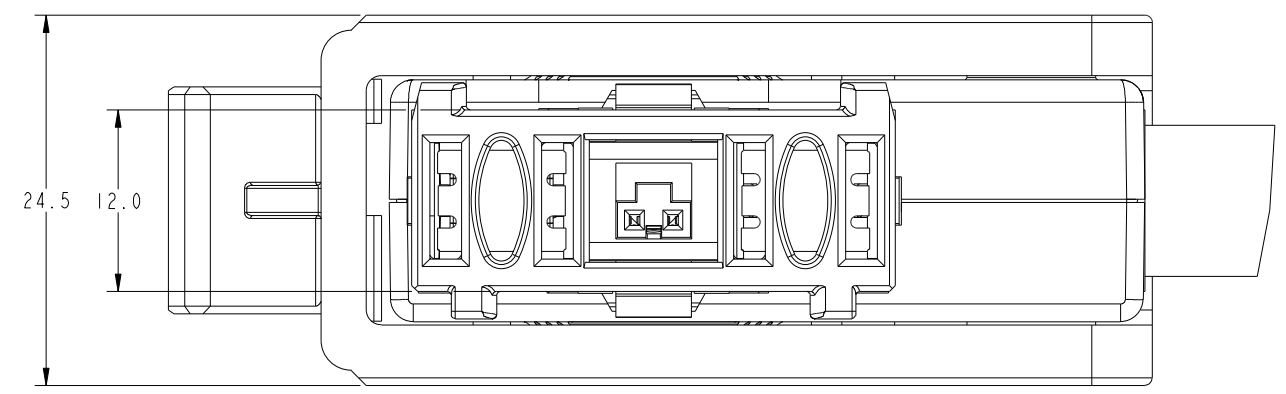
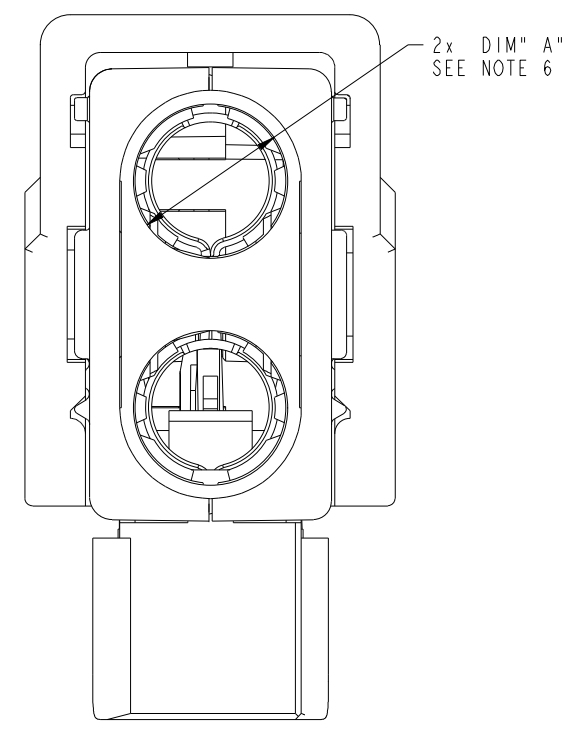
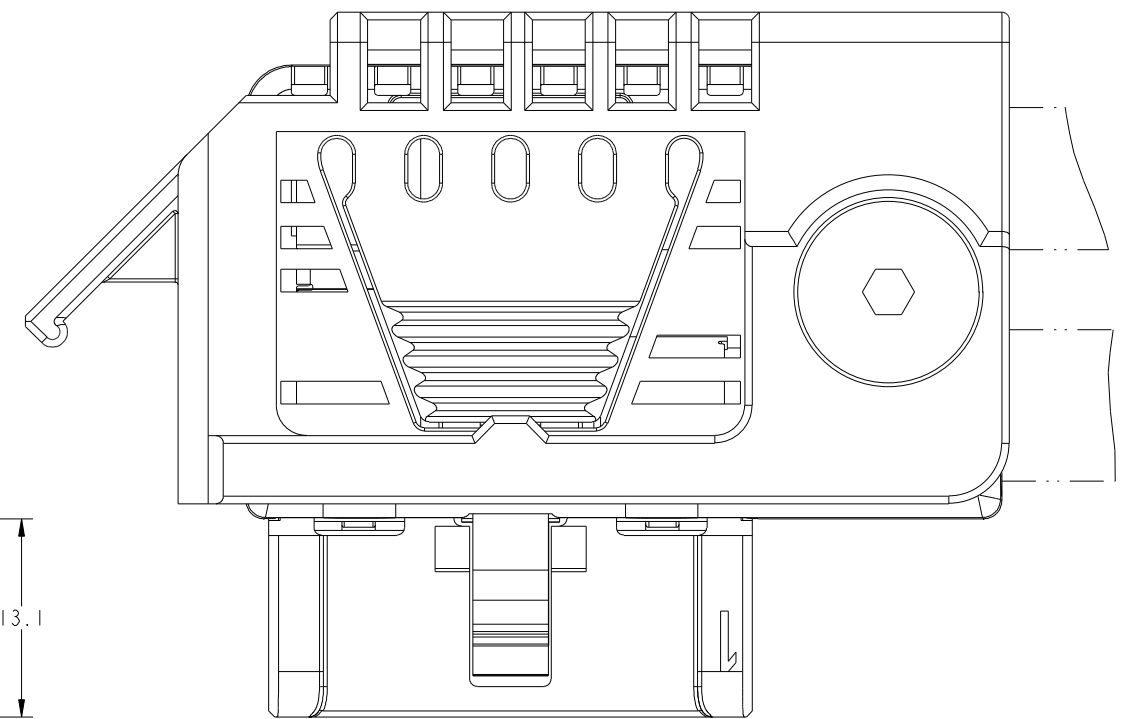


PRODUCT NUMBER
100130796-00xLF
(with ejector)

PRODUCT NUMBER	DIM "A"
10130796-001LF	10.2
10130796-002LF	8.2
10130796-003LF	6.2



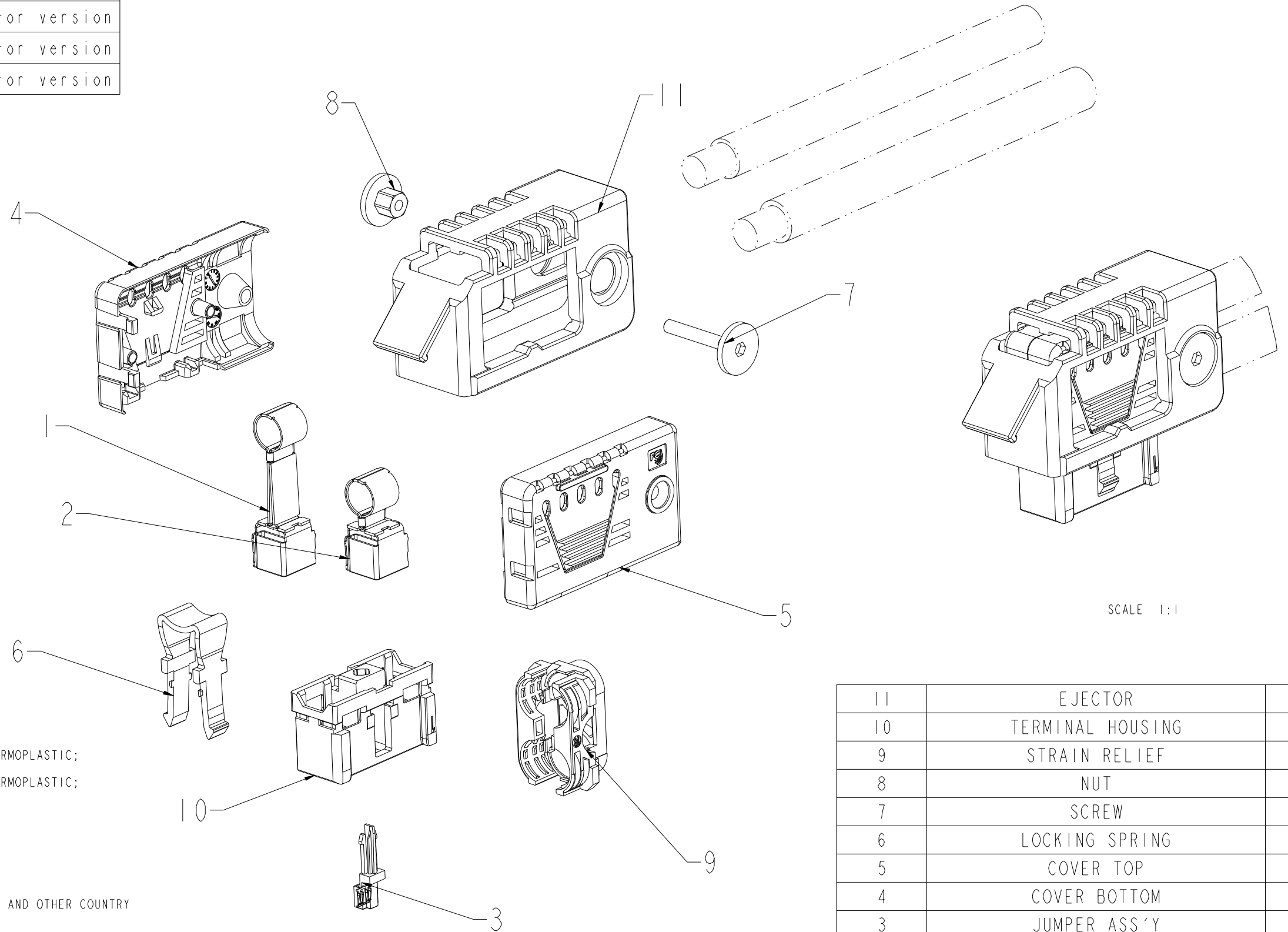
PARTIAL SECTION A - A
SCALE 2:1



Copyright FCI.

spec ref	*	dr	Luo Weller	2014/07/01	projection	MM	size	A3	scale	2:1										
tolerance std	TOLERANCES UNLESS OTHERWISE SPECIFIED	eng	Luo Weller	2014/09/21			ecn no	ELX-DG-18319-1												
surface	<table border="1"> <tr> <td>linear</td> <td>0.X</td> <td>±0.50</td> </tr> <tr> <td></td> <td>0.XX</td> <td>±0.25</td> </tr> <tr> <td></td> <td>0.XXX</td> <td>±0.10</td> </tr> <tr> <td>angular</td> <td>0°</td> <td>±2°</td> </tr> </table>	linear	0.X	±0.50				0.XX	±0.25		0.XXX	±0.10	angular	0°	±2°	chr	-	product family	rel level	Released
linear	0.X	±0.50																		
	0.XX	±0.25																		
	0.XXX	±0.10																		
angular	0°	±2°																		
		appr	Pei-Ming Zheng	2014/09/22			dwg no	10130796		rev	B									
		www.fci.com		cat. no.	-		Product - Customer Drw		sheet 1 of 4											

PRODUCT NUMBER	INSTANCE DESCRIPTION
10130796-001LF	25 sqmm - with ejector version
10130796-002LF	16 sqmm - with ejector version
10130796-003LF	10 sqmm - with ejector version



SCALE 1:1

NOTES:

- MATERIALS:

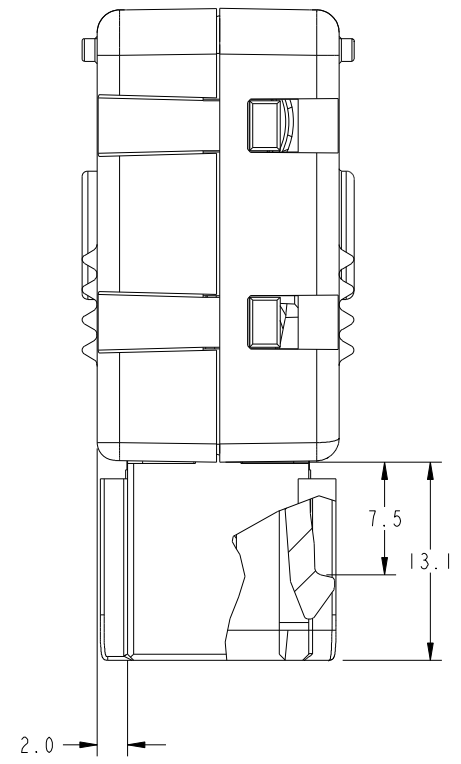
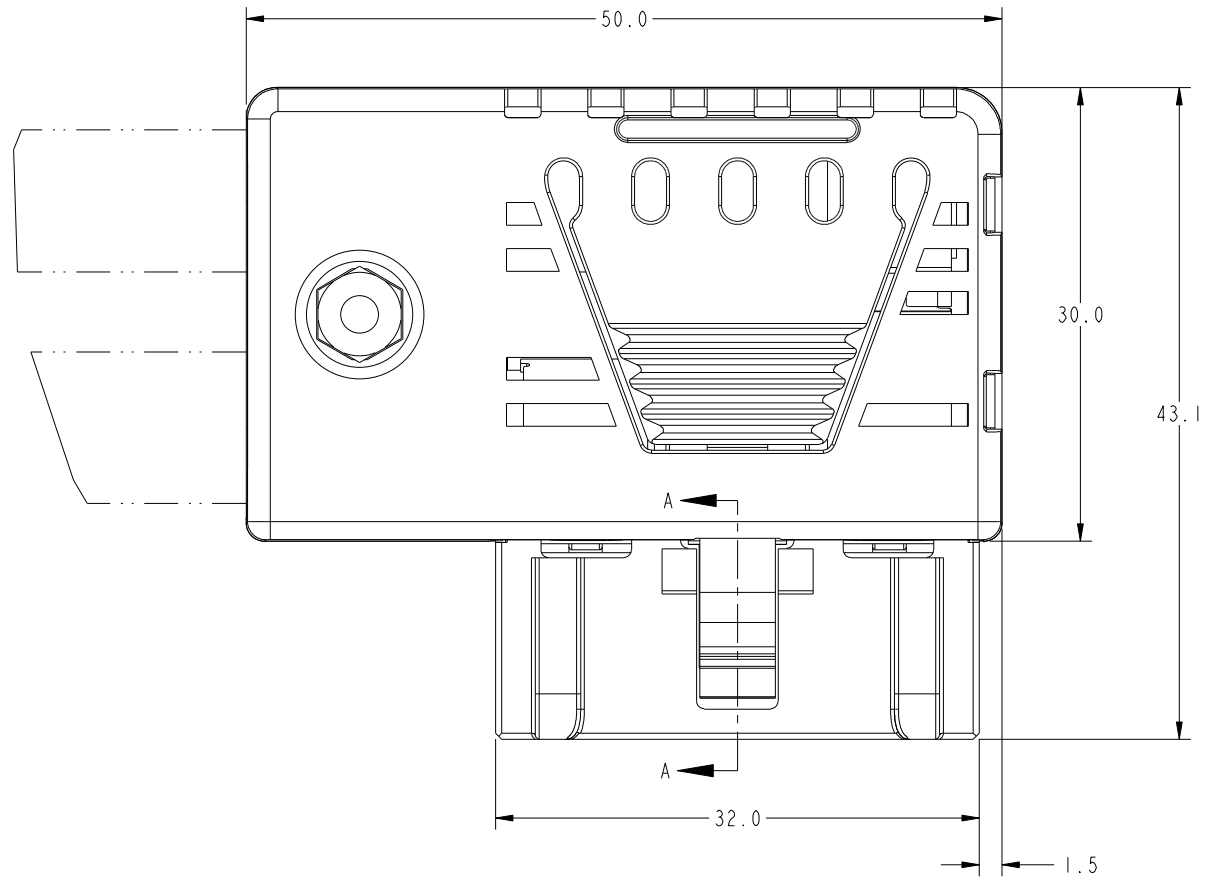
 - UPPER / LOWER COVER - THERMOPLASTIC;
 - TERMINAL HOUSING - HIGH TEMPERATURE THERMOPLASTIC;
 - STRAIN RELIEF - THERMOPLASTIC;
 - LOCKING SPRING - HIGH TEMPERATURE THERMOPLASTIC;
 - JUMPER HOUSING - THERMOPLASTIC;
 - EJECTOR - THERMOPLASTIC;
 - TERMINAL BARREL - COPPER ALLOY;
 - TERMINAL BLADES - COPPER ALLOY;
 - JUMPER TERMINAL - COPPER ALLOY.
- ALL PLASTICS ARE UL94-V0 RATED.
- THIS PRODUCT MEETS EUROPEAN UNION DIRECTIVES AND OTHER COUNTRY REGULATIONS AS DESCRIBED IN GS-22-008.
- THIS PRODUCT IS NOT INTENDED TO BE EXPOSED TO A MANUFACTURING SOLDER PROCESS.
- THIS IS A LOOSE PIECE KIT FOR CABLE ASSEMBLY APPLICATION. CUSTOMERS WHO CHOOSE THIS KIT PRODUCT SHALL COMPLETE THE CABLE ASSEMBLY BY THEMSELVES AND TO DECIDE DETAILED APPLICATION BASED ON THEIR TESTING FOR THE FINAL CABLE ASSEMBLY PRODUCT PERFORMANCE.
- RECOMMENDED CABLE : STYLE AWM 10900.

11	EJECTOR	1
10	TERMINAL HOUSING	1
9	STRAIN RELIEF	1
8	NUT	1
7	SCREW	1
6	LOCKING SPRING	1
5	COVER TOP	1
4	COVER BOTTOM	1
3	JUMPER ASS'Y	1
2	ASS'Y TERMINAL (SHORT)	1
1	ASS'Y TERMINAL (LONG)	1
INDEX	TITLE	Q'TY

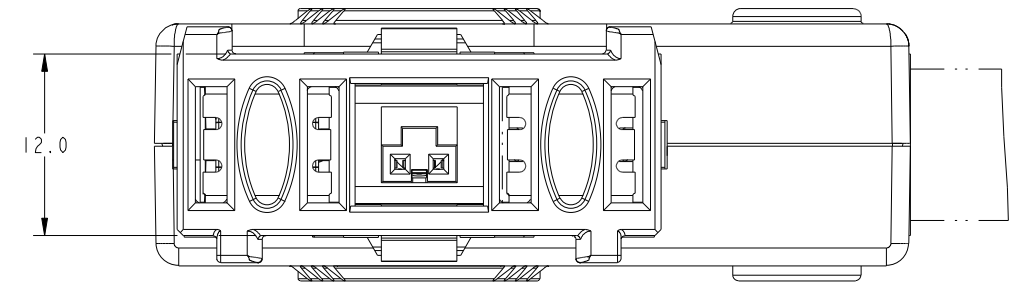
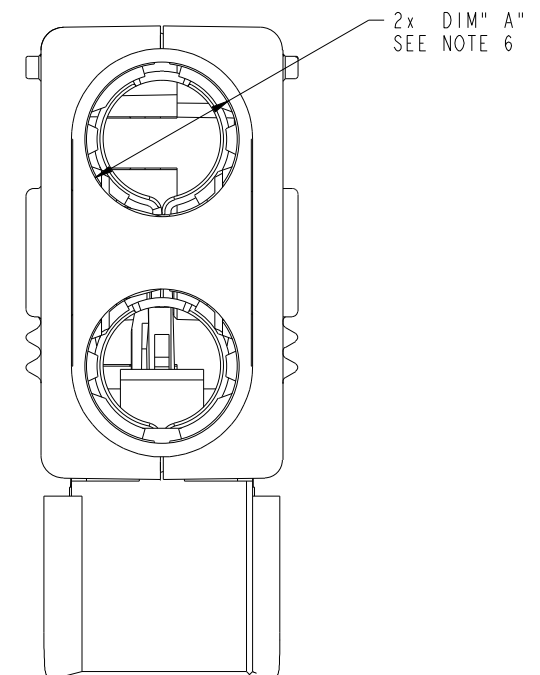
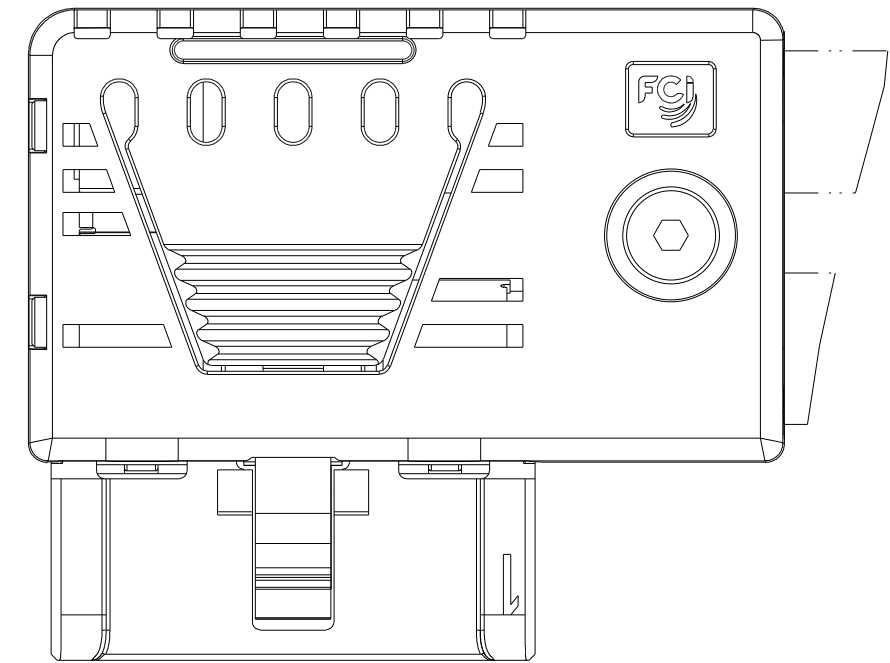
dr	Luo Weller	2014/07/01	projection	MM	size	A3	scale	1:1
eng	Luo Weller	2014/09/21			ecn no	ELX-DG-18319-1		
chr	-	-	product family	← →	rel level	Released		
appr	Pei-Ming Zheng	2014/09/22						
www.fci.com			title	PWR TWINBLADE I/O		dwg no	10130796	
				right-angle cable connector		rev	B	
			cat. no.	-		Product - Customer Drw		sheet 2 of 4

PRODUCT NUMBER
100130796-00xNELF
(no ejector)

PRODUCT NUMBER	DIM "A"
10130796-001NELF	10.2
10130796-002NELF	8.2
10130796-003NELF	6.2



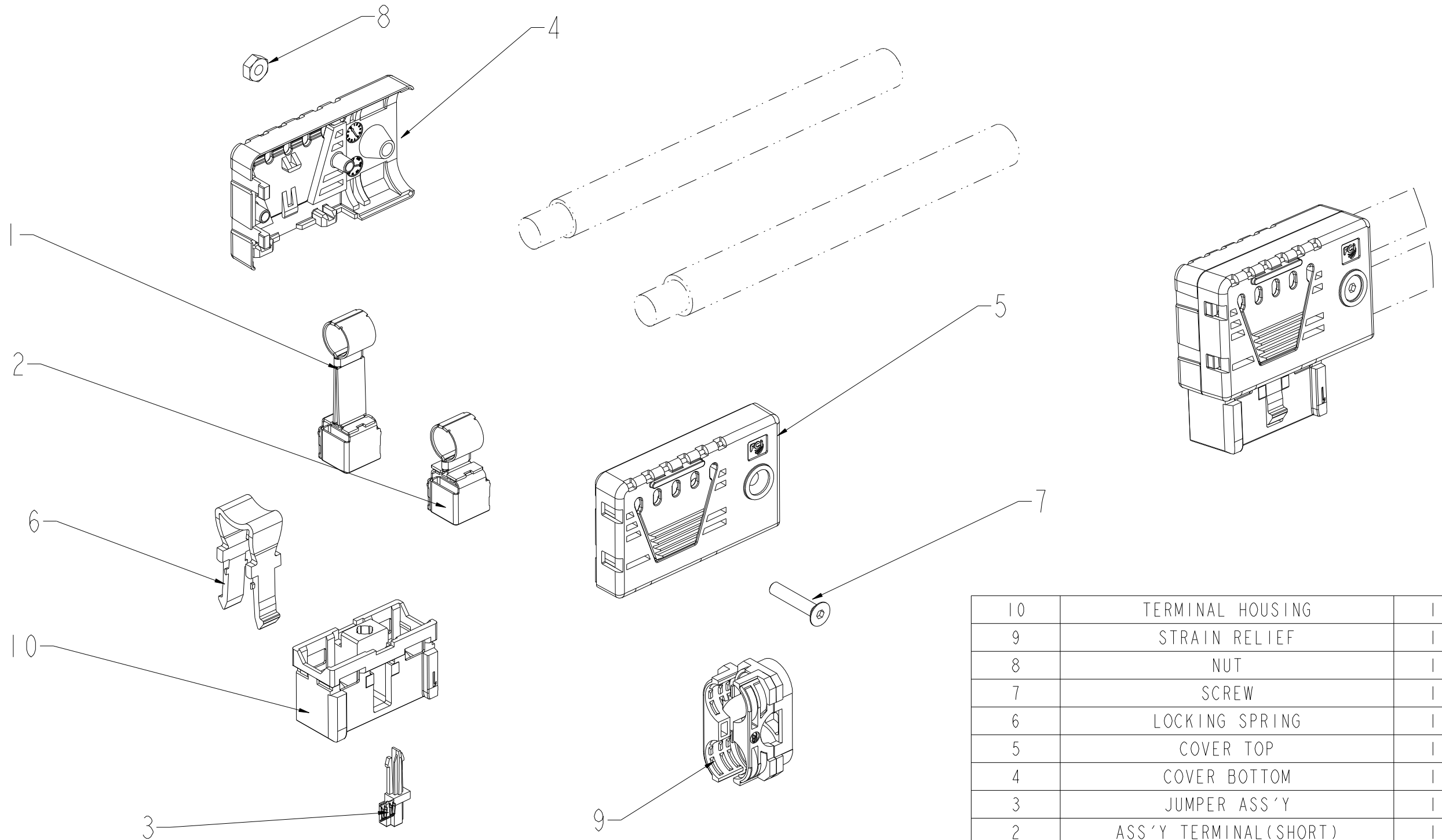
SECTION A-A



Copyright FCI.

dr	Luo Weller	2014/07/01	projection MM	size	A3	scale	2:1
eng	Luo Weller	2014/09/21		ecn no	ELX-DG-18319-1		
chr	-	-	product family	rel level	Released		
appr	Pei-Ming Zheng	2014/09/22		title	PWR TWINBLADE I/O		rev
www.fci.com		cat. no.	-	Product - Customer Drw	sheet 3 of 4		

PRODUCT NUMBER	INSTANCE DESCRIPTION
10130796-001NELF	25 sqmm - no ejector version
10130796-002NELF	16 sqmm - no ejector version
10130796-003NELF	10 sqmm - no ejector version



10	TERMINAL HOUSING	1
9	STRAIN RELIEF	1
8	NUT	1
7	SCREW	1
6	LOCKING SPRING	1
5	COVER TOP	1
4	COVER BOTTOM	1
3	JUMPER ASS'Y	1
2	ASS'Y TERMINAL (SHORT)	1
1	ASS'Y TERMINAL (LONG)	1
INDEX	TITLE	Q'TY

SCALE 1:1

dr	Luo Weller	2014/07/01	projection	MM	size	A3	scale	1:1
eng	Luo Weller	2014/09/21			ecn no	ELX-DG-18319-1		
chr	-	-			rel level	Released		
appr	Pei-Ming Zheng	2014/09/22	product family					
			title PWR TWINBLADE I/O right-angle cable connector		dwg no 10130796		rev B	
www.fci.com			cat. no. -		Product - Customer Drw		sheet 4 of 4	