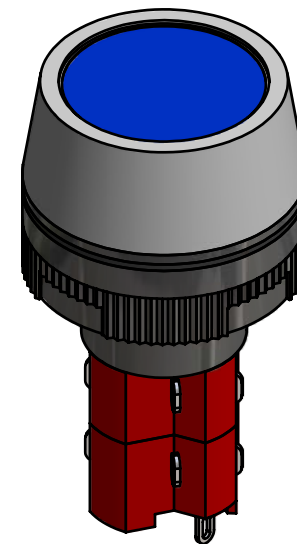
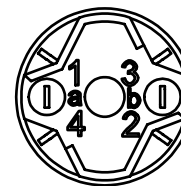
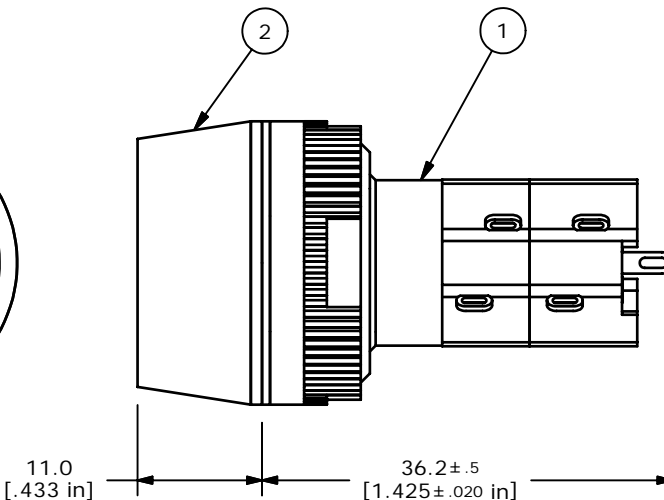
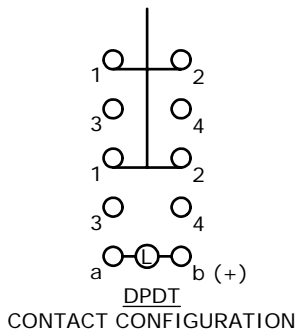
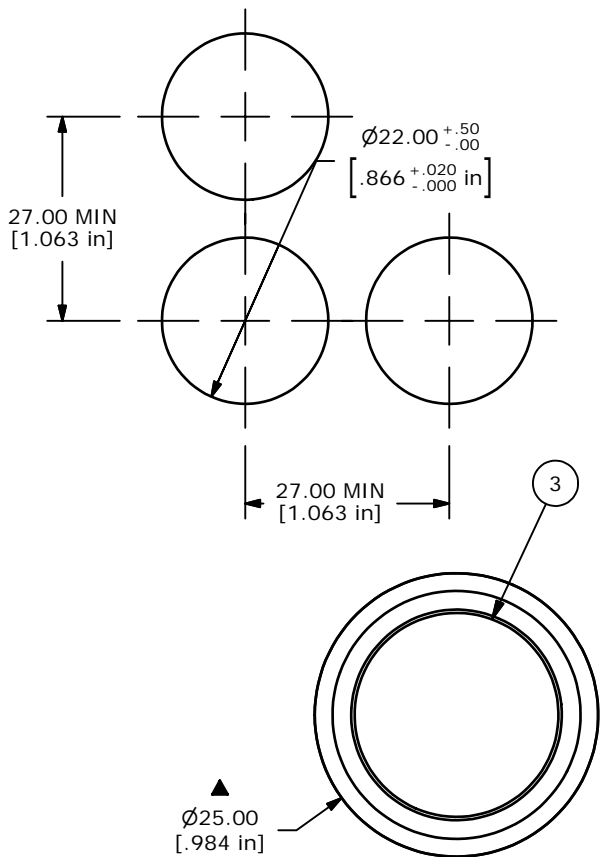


Parts List			
ITEM	QTY	PART NUMBER	DESCRIPTION
1	1	F060607	LASOAV12
2	1	F051702	25MM RING FOR LA SERIES
3	1	F060201	25MM BLUE LENS



ISOMETRIC

- NOTE:
1. ALL DIMENSIONS IN MM [INCH]
 2. GENERAL TOLERANCE: X.X=±0.4
X.XX=±0.25
 3. TERMINAL NUMBERS FOR REF ONLY
 4. RATING: 5 AMPS @ 250VAC UL, VDE APPROVED
6 AMPS @ 240VDC UL, VDE APPROVED
 5. ELECTRIC LIFE: 50,000 MAKE-AND-BREAK CYCLES AT FULL LOAD.
 6. INSULATION RESISTANCE: 1,000 MEGA-OHM MIN.
 7. OPERATING TEMP.: -25°C to 55°C
 - ▲ 8. LAMP VOLTAGE: NONE
 - ▲ 9. ▲ DENOTES CRITICAL PARAMETER.

E-SWITCH®

A	15721	RELEASED FOR PRODUCTION	2/6/06	PH
REV	PCR NO	DESCRIPTION	DATE	BY

TITLE LASOAV120BLU				
SCALE	DATE	DR	DWG	REV
1.5:1	2/9/2006	PH	XF0668P	A

THE INFORMATION CONTAINED IN THIS DOCUMENT IS PROPRIETARY TO E-SWITCH AND IS NOT TO BE COPIED OR TRANSFERRED