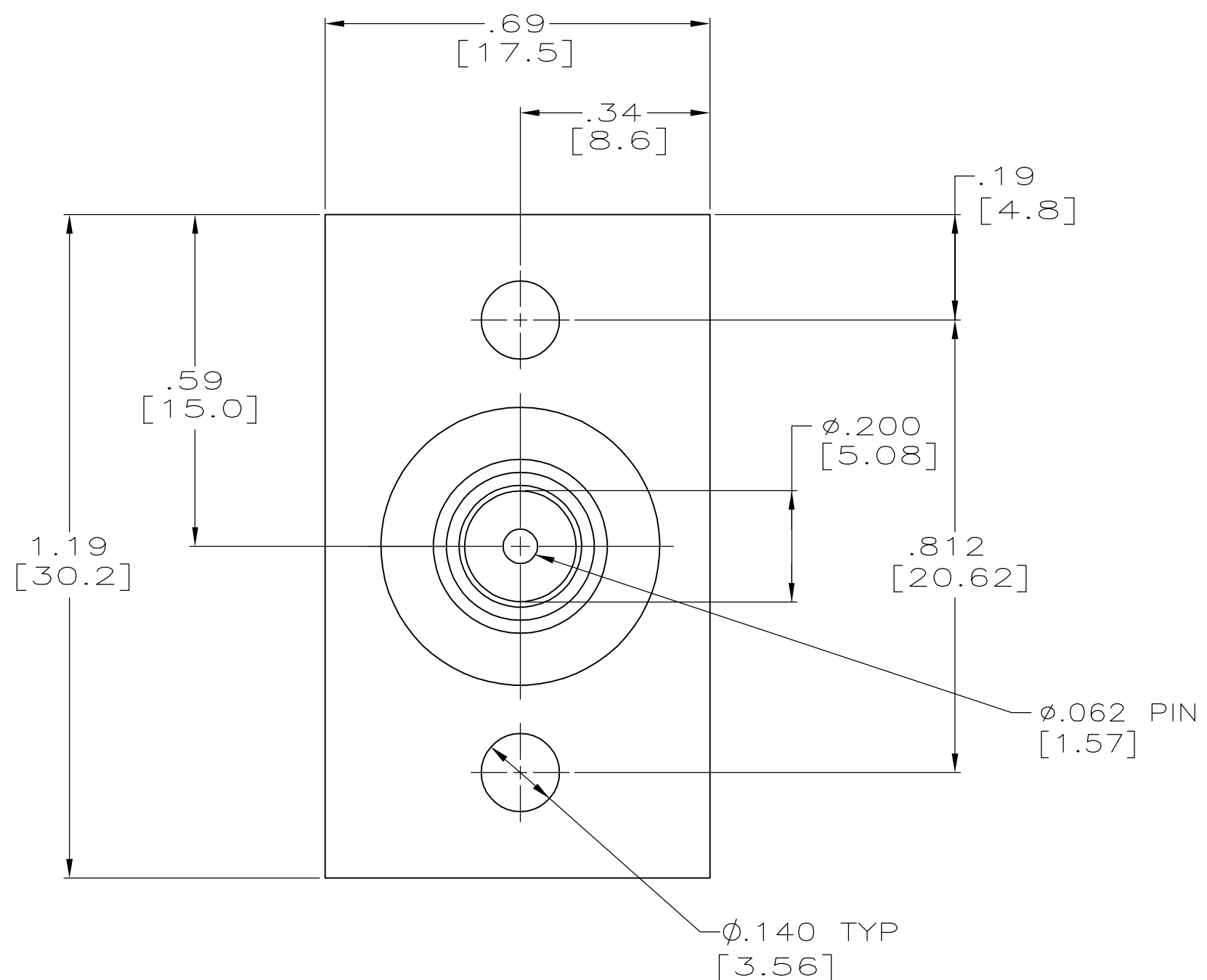
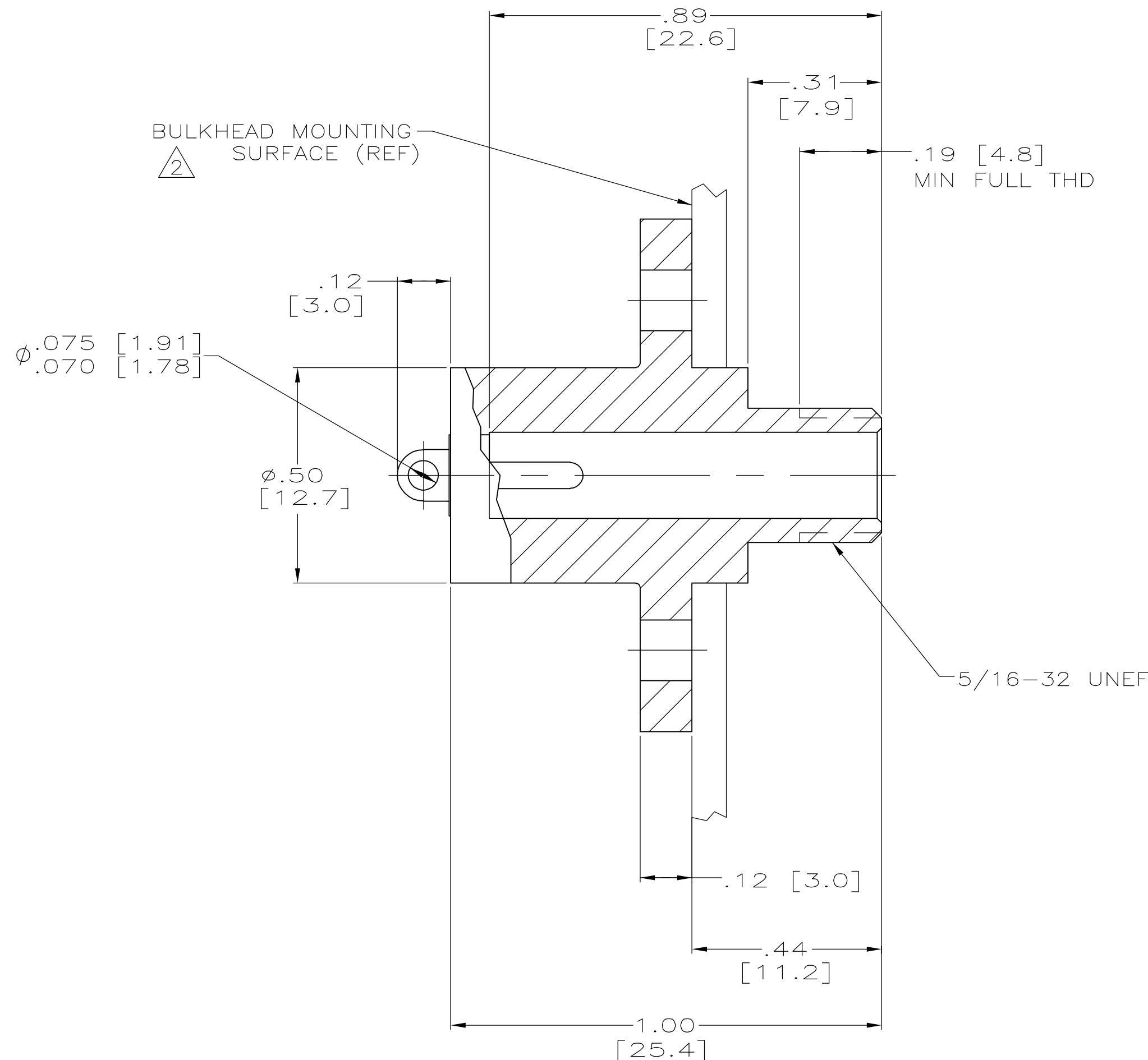


THIS DRAWING IS UNPUBLISHED. RELEASED FOR PUBLICATION  
 © COPYRIGHT BY TYCO ELECTRONICS CORPORATION. ALL RIGHTS RESERVED.

LOC	DIST	REVISIONS			
P	LTR	DESCRIPTION	DATE	DWN	APVD
DF	S5	G	REV PER OH14-0191-05	05-05	AA DE

- RECEPTACLE TO MATE WITH AMP LGH-1/2L LEAD ASSY, AVAILABLE SEPARATELY.
- ⚠ IF BULKHEAD AND MOUNTING HARDWARE ARE METALLIC AND AT GROUND POTENTIAL, PROVISIONS MUST BE MADE TO PROTECT THE RECEPTACLE'S BACK-END AGAINST ARC-OVER AND BREAKDOWN.



TIN	5-858857-1
GOLD	858857-2
TIN-LEAD	858857-1
TERMINAL PLATING	PART NUMBER

THIS DRAWING IS A CONTROLLED DOCUMENT.		DWN	29-AUG-96	C.C.THOMAS	
DIMENSIONS: INCHES		CHK	10-SEP-96	S.GLATFELTER	
TOLERANCES UNLESS OTHERWISE SPECIFIED:		APVD	10-SEP-96	S.GLATFELTER	
0 PLC ± -		PRODUCT SPEC		NAME	
1 PLC ± -		APPLICATION SPEC		SIZE	
2 PLC ± .02[0.5]		WEIGHT		CAGE CODE	
3 PLC ± .005[0.13]		8 GRAMS MAX		DRAWING NO	
4 PLC ± -		CUSTOMER DRAWING		RESTRICTED TO	
ANGLES ± -		SCALE		SHEET	
FINISH -		4:1		OF 1	
MATERIAL		EPOXY MLDG CMPD		REV	
COLOR: BLACK		G=858857		G	

858857