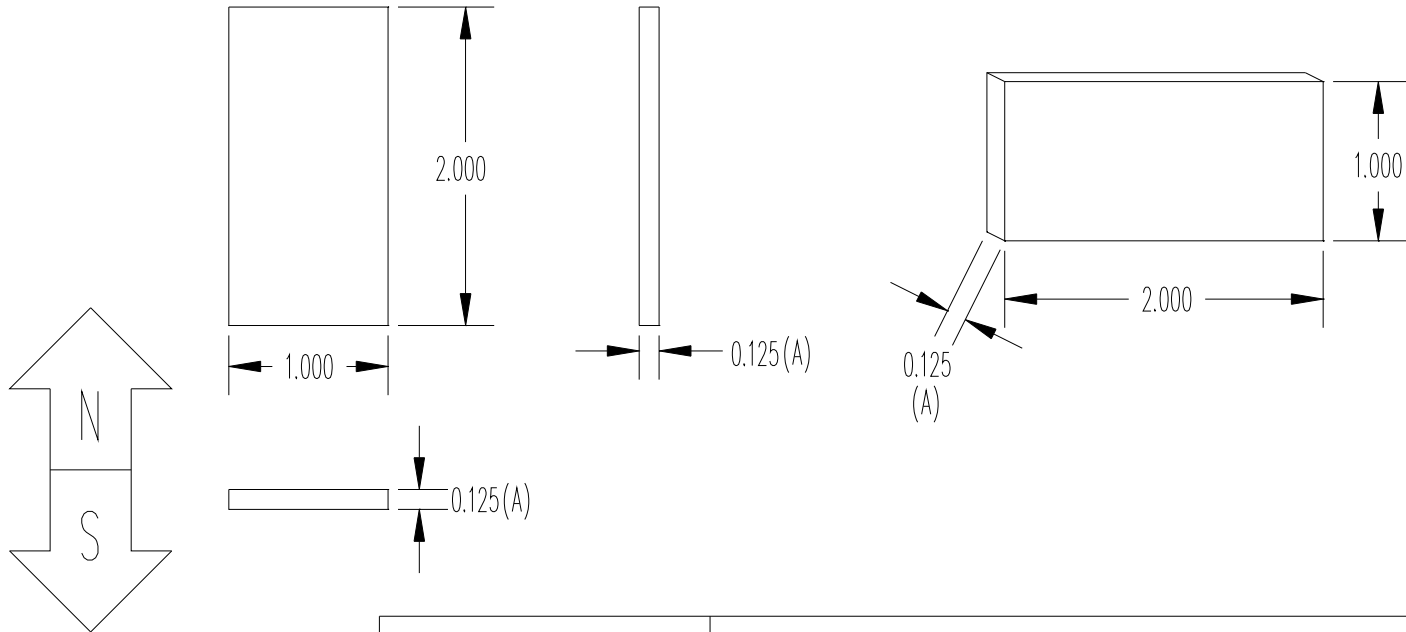


REVISIONS			
LTR	DESCRIPTION	DATE	APPROVED
-	INITIAL RELEASE		H D



UNLESS OTHERWISE SPECIFIED DIMENSIONS ARE IN INCHES		RADIAL MAGNET INC.			
TOLERANCES: FRACTIONS: $\pm 1/64$ DECIMALS: ± 0.015 ANGLES: $\pm 1^\circ$		108B NW 20th St. BOCA RATON, FL 33431 (561)392-2103			
MATERIAL: NdFeB		SHAPE	STRENGTH	PLATING	SIZE AND DIRECTION OF MAGNETIZATION(A)
FINISH: NiCuNi		BLOCK	N35	NICKEL PLATED	1" x 2" x 1/8"(A)
SCALE	ITEM #	DRAWING #	REVISION		
1 : 1	8027	RM8027	-		
DRAWN: CG	CHECKED: HD	APPROVED: HD	PAGE 1 OF 1		