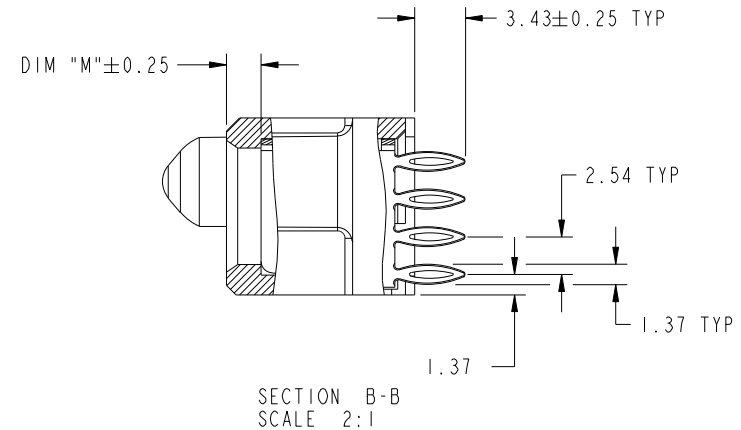
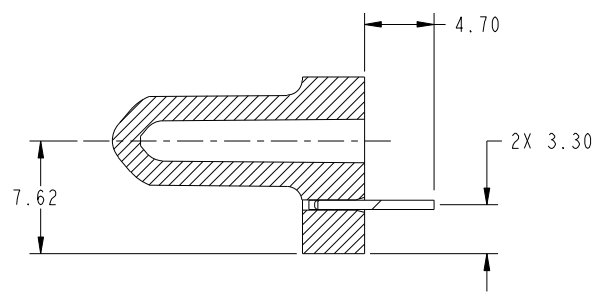


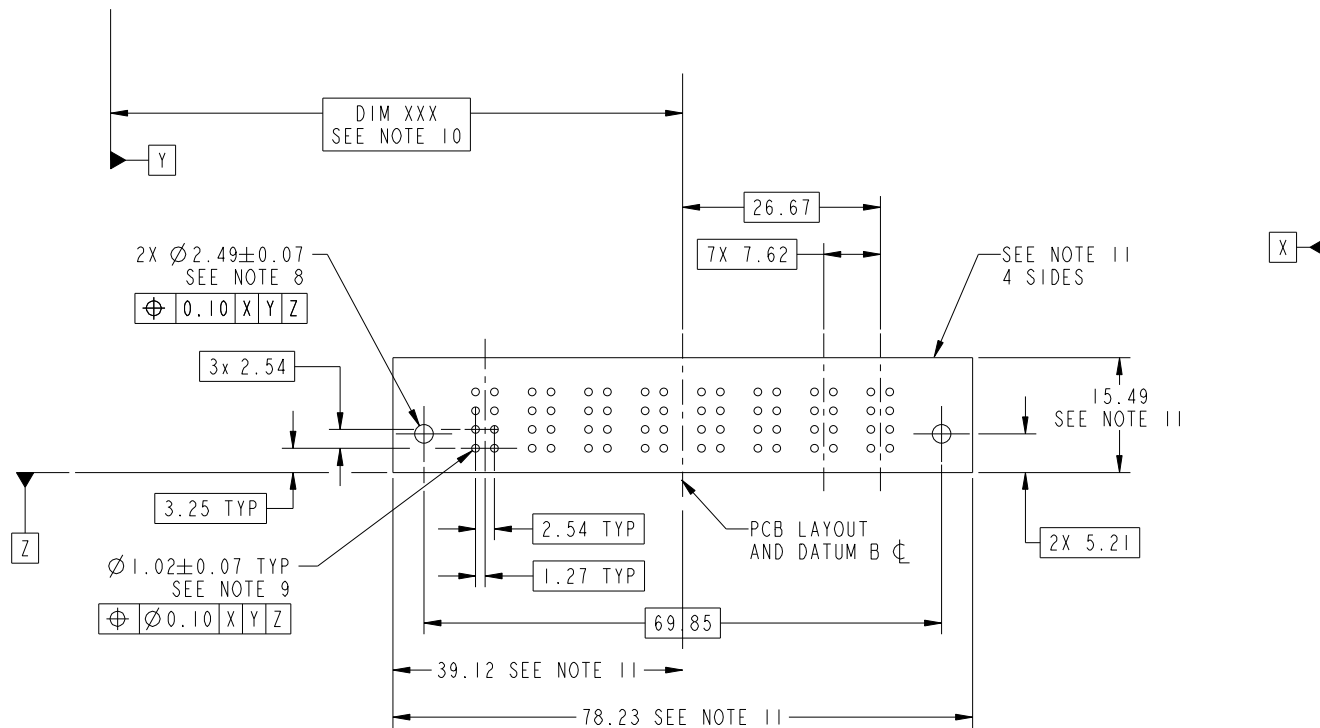
PRODUCT NUMBER
51940-460__
NOTE: 3



Copyright FCI.

dr	Weller Luo	2012-10-07	projection 	MM 	size	A4	scale	1:1
eng	Weller Luo	2012-11-23			ecn no	*		
chr	-	-	product family	PwrBlade	rel level	Released		
appr	PM ZHENG	2012-11-23						
www.fci.com	cat. no.	*	Product - Customer Drw		sheet 2 of 4			

PRODUCT NUMBER
51940-460--
NOTE: 3



RECOMMENDED PCB LAYOUT

dr	Weller Luo	2012-10-07	projection	MM	size	scale
eng	Weller Luo	2012-11-23			A4	1:1
chr	-	-			ecn no	*
appr	PM ZHENG	2012-11-23	product family	PwrBlade	rel level	Released
	title	8ACP		dwg no	51940-460	
www.fci.com	cat. no.	*		Product - Customer Drw	rev	A
					sheet 3 of 4	

PRODUCT NUMBER

51940-460__
NOTE: 3

NOTES:

1. DIMENSIONS AND TOLERANCES ARE IN ACCORDANCE WITH ASME Y14.5M, 1994 UNLESS OTHERWISE SPECIFIED.

CONNECTOR NOTES:

- 2 HOUSING MATERIAL: UL 94 V-0 GLASS FILLED HIGH-TEMP THERMOPLASTIC
POWER CONTACT MATERIAL: COPPER ALLOY
SIGNAL PIN MATERIAL: COPPER ALLOY
- 3. SEE ITEM 7 & 8 IN PRINT 10064183 FOR PLATING SPEC OF 51940-460 AND 51940-460LF RESPECTIVELY.
- 4 MANUFACTURER'S NAME, DATE CODE AND OPTIONAL P/N TO APPEAR ON THIS SURFACE. THE MARK CAN BE OMITTED IF THERE IS NOT ENOUGH SPACE ON THIS SURFACE.
- 5. PRODUCT SPECIFICATION GS-12-149.
APPLICATION SPECIFICATION BUS-20-067.
- 6. PACKAGED IN TRAYS.
- PCB NOTES:
- 7. ALL HOLE DIAMETERS ARE FINISHED HOLE SIZE.
- 8 MOUNTING HOLES, WHERE APPLICABLE, ARE UNPLATED.
- 9 $\varnothing 1.151 \pm 0.025$ DRILLED HOLES PLATED WITH
0.008 MIN SnPb OR Sn OVER 0.03
TO 0.08 Cu PLATING TO ACHIEVE
 $\varnothing 1.02 \pm 0.07$ HOLE.
- 10 "DIM XXX" TO BE DETERMINED BY THE CUSTOMER.
- 11 CONNECTOR KEEP-OUT ZONE.
- 12. THE VOID CORING IN BETWEEN POWER MODULES, SIGNAL MODULES AND END MODULES ARE OPTIONAL AND THE SHAPE MAY BE DIFFERENT FOR OPTIMIZE THE MOLDING PROCESS. THE VOID CORING WILL NOT EFFECT TO PRODUCT FUNCTION.



C

Copyright FCI.

D

dr	Weller Luo	2012-10-07	projection 	MM 	size	A4	scale	1:1
eng	Weller Luo	2012-11-23			ecn no	*		
chr	-	-	product family		PwrBlade	rel level	Released	
appr	PM ZHENG	2012-11-23	title		8ACP	dwg no	51940-460	rev
www.fci.com			cat. no.		*	Product - Customer Drw		sheet 4 of 4
			VERTICAL PRESS-FIT RECEPT					A