

Apr.1.2017 Copyright 2017 HIROSE ELECTRIC CO., LTD. All Rights Reserved.

COUNT	DESCRIPTION OF REVISIONS	BY	CHKD	DATE	COUNT	DESCRIPTION OF REVISIONS	BY	CHKD	DATE
△					△				
△					△				
△					△				

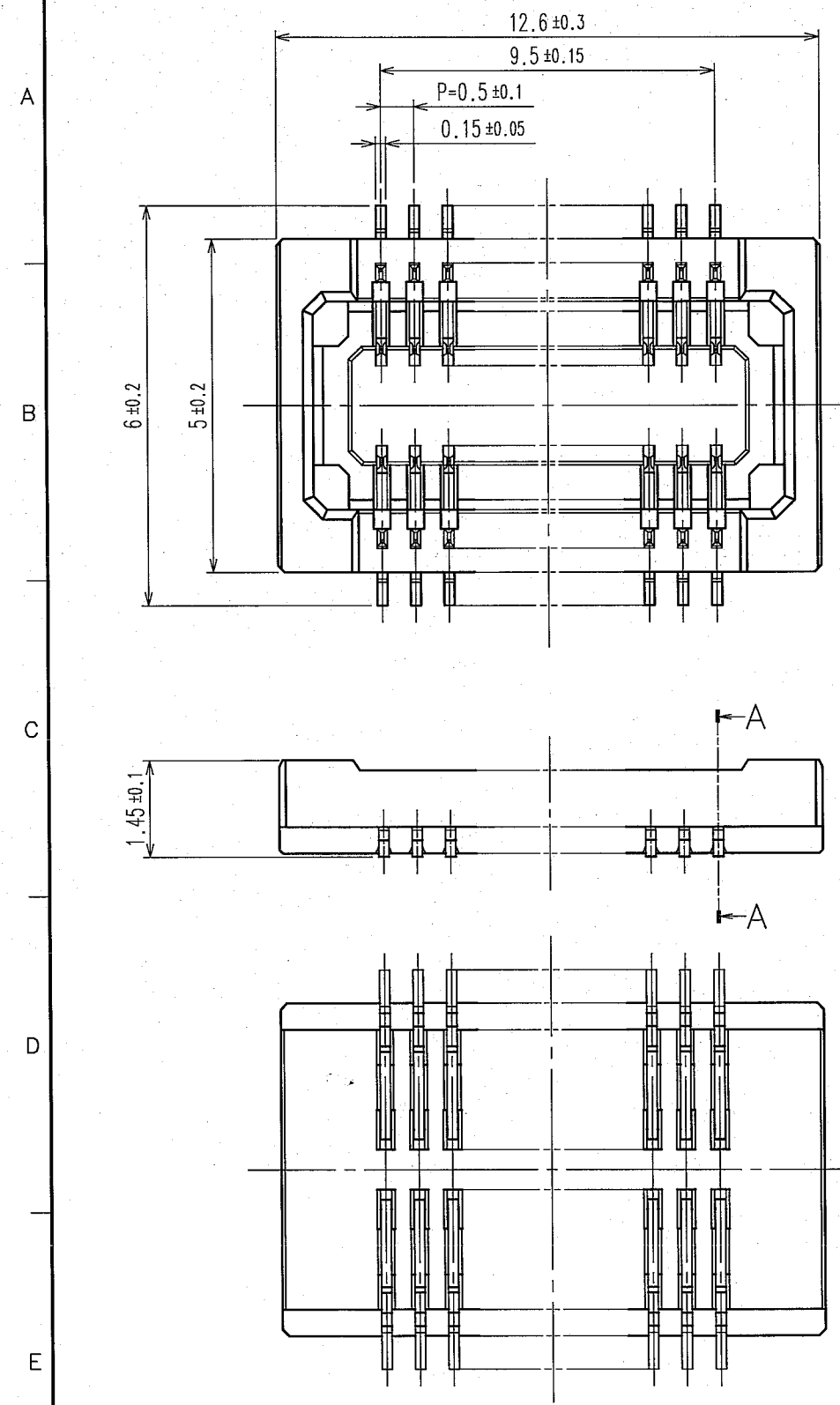


Fig.1 : RECOMMENDED PATTERN

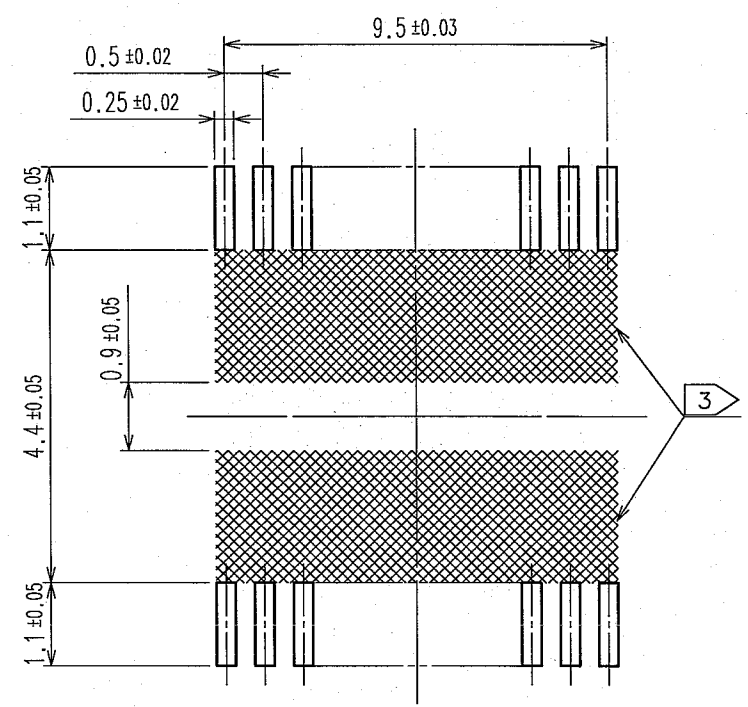


Fig.2 : A-A CROSS SECTION VIEW

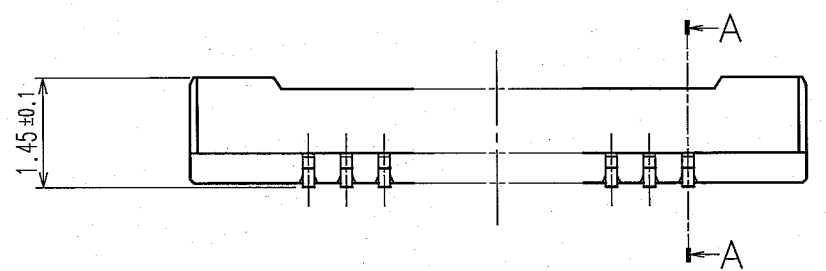
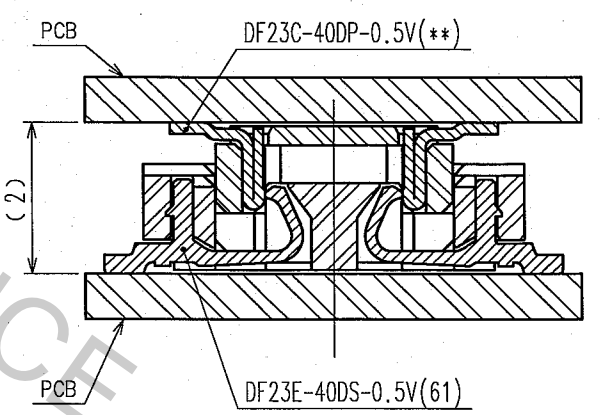
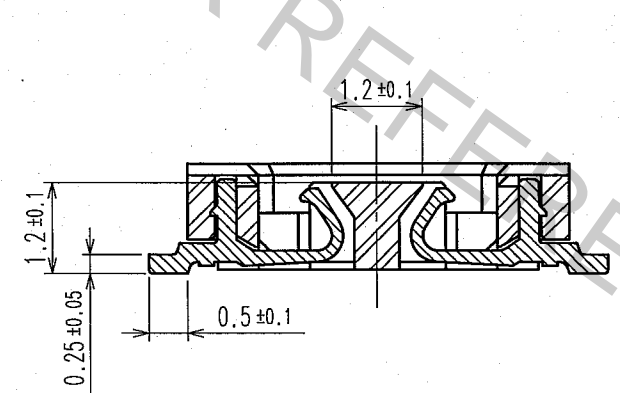
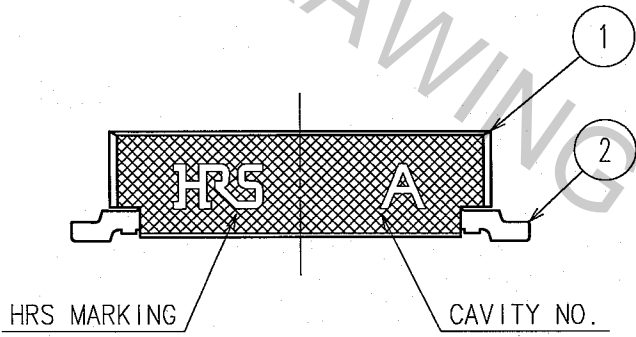


Fig.3 : MATING VIEW



NOTES 1 LEAD CO-PLANARITY SHALL BE 0.1mm MAX.

② PLATING

CONTACT AREA : GOLD 0.4μ m MIN.  
 LEAD AREA : GOLD 0.02μ m MIN.  
 UNDER PLATING : NICKEL 1.0μ m MIN.

③ WHEN A PART MARKED WITH [Hatched] HAS A PATTERN BUT NO RESIST ON IT, TAKE CARE TO PREVENT THE CONNECTOR FROM TOUCHING IT.

4 THIS CONNECTOR IS FOR TESTING JIG TO BE MATED WITH DF23\*-40DP-0.5V.

TO

NO.	MATERIAL	FINISH, REMARKS	NO.	MATERIAL	FINISH, REMARKS
2	PHOSPHOR BRONZE	②	4	PS	BLACK (PLASTIC REEL)
1	LCP	BLACK,UL94V-0	4	POLYESTER	CLEAR
			3	PS	CLEAR

CODE NO. (OLD)	DRAWN	DESIGNED	CHECKED	APPROVED	RELEASED
	J. Yunoki	J. Yunoki	T. Nijmaki	M. Yokamura	
	07.07.09	07.07.09	07.07.10	07.07.10	

SCALE	DRAWING NO.	PART NO.
10 : 1	EDC3-304420-03	DF23E-40DS-0.5V(61)
UNITS	HRS	CODE NO.
mm	HIROSE ELECTRIC CO., LTD	CL688-0507-0-61

(1/2)

Apr.1.2017 Copyright 2017 HIROSE ELECTRIC CO., LTD. All Rights Reserved.

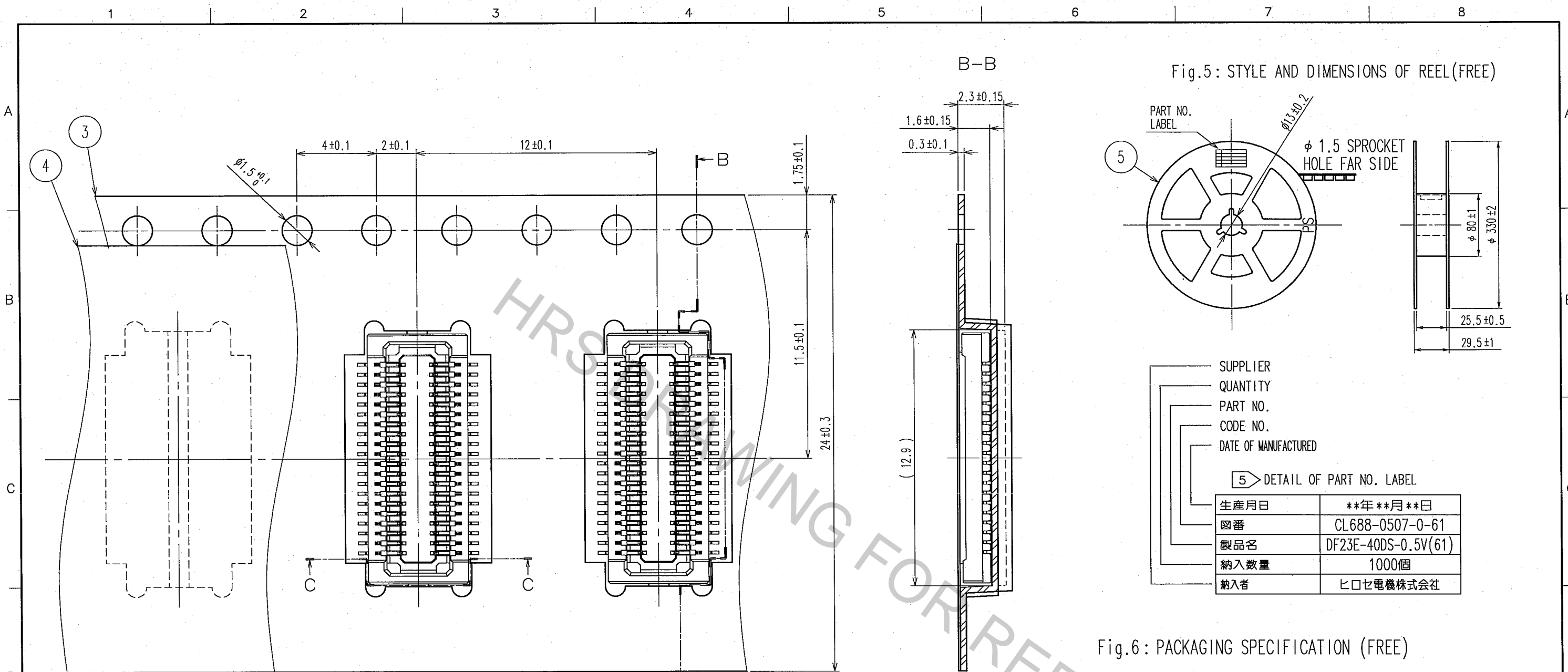


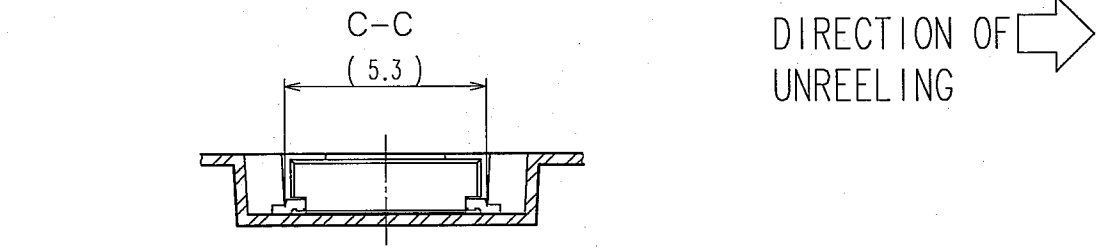
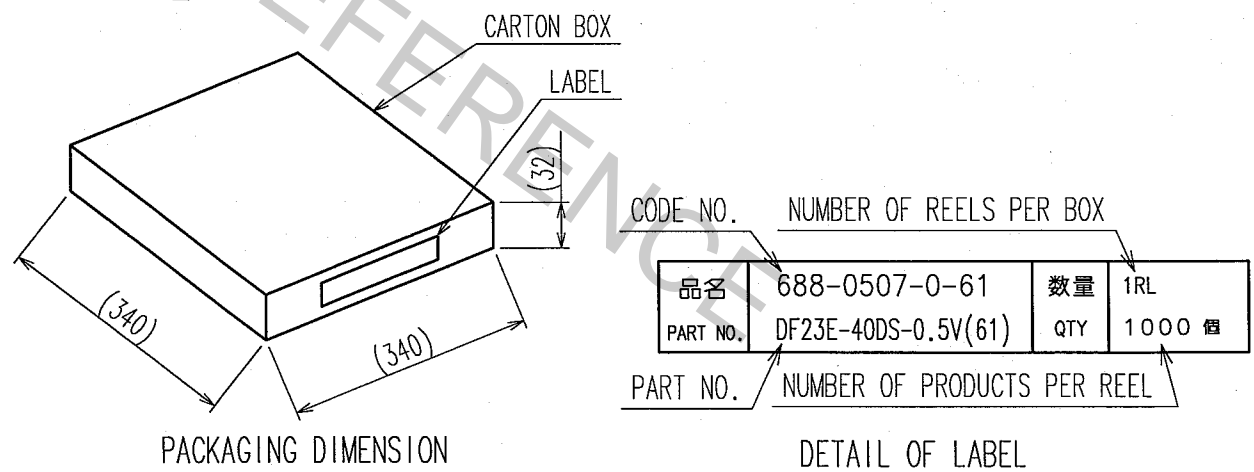
Fig.5: STYLE AND DIMENSIONS OF REEL(FREE)

SUPPLIER  
QUANTITY  
PART NO.  
CODE NO.  
DATE OF MANUFACTURED

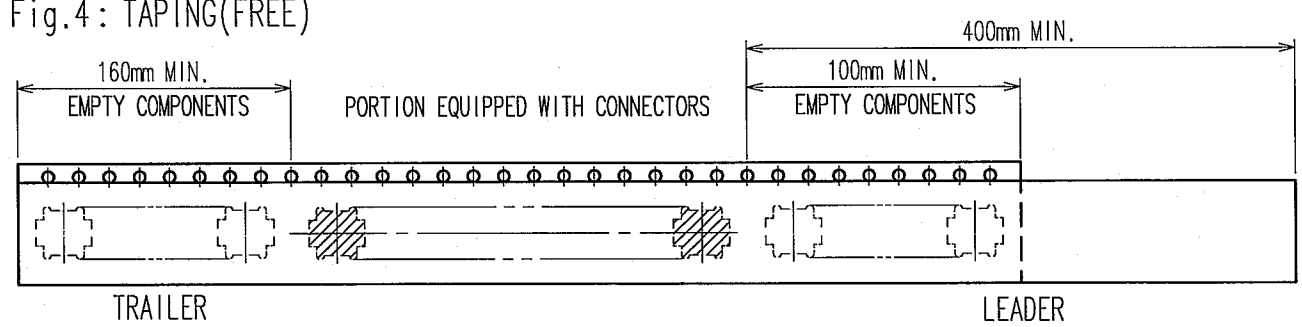
5 DETAIL OF PART NO. LABEL

生産月日	**年**月**日
函番	CL688-0507-0-61
製品名	DF23E-40DS-0.5V(61)
納入数量	1000個
納入者	ヒロセ電機株式会社

Fig.6: PACKAGING SPECIFICATION (FREE)



6 Fig.4: TAPING(FREE)



- NOTES
- 5 PER REEL 1000 CONNECTORS.
  - 6 REFER TO JIS C 0806.  
(PACKAGING OF COMPONENTS FOR AUTOMATIC HANDLING)
  - 7 DETAIL OF PART NO. LABEL IS WRITTEN IN JAPANESE.
  - 8 THE DIMENSIONS IN PARENTHESES ARE FOR REFERENCE.

CODE NO. (OLD)	DRAWN	DESIGNED	CHECKED	APPROVED	RELEASED
	<i>T. Yumoto</i>	<i>T. Yumoto</i>	<i>T. Miyajima</i>	<i>M. Nakamura</i>	
	07.07.09	07.07.09	07.07.10	07.07.10	
SCALE	DRAWING NO.		PART NO.		
5 : 1	EDC3-304420-03		DF23E-40DS-0.5V(61)		
UNITS	HRS HIROSE ELECTRIC CO., LTD		CODE NO.		
mm			CL688-0507-0-61		

TO