

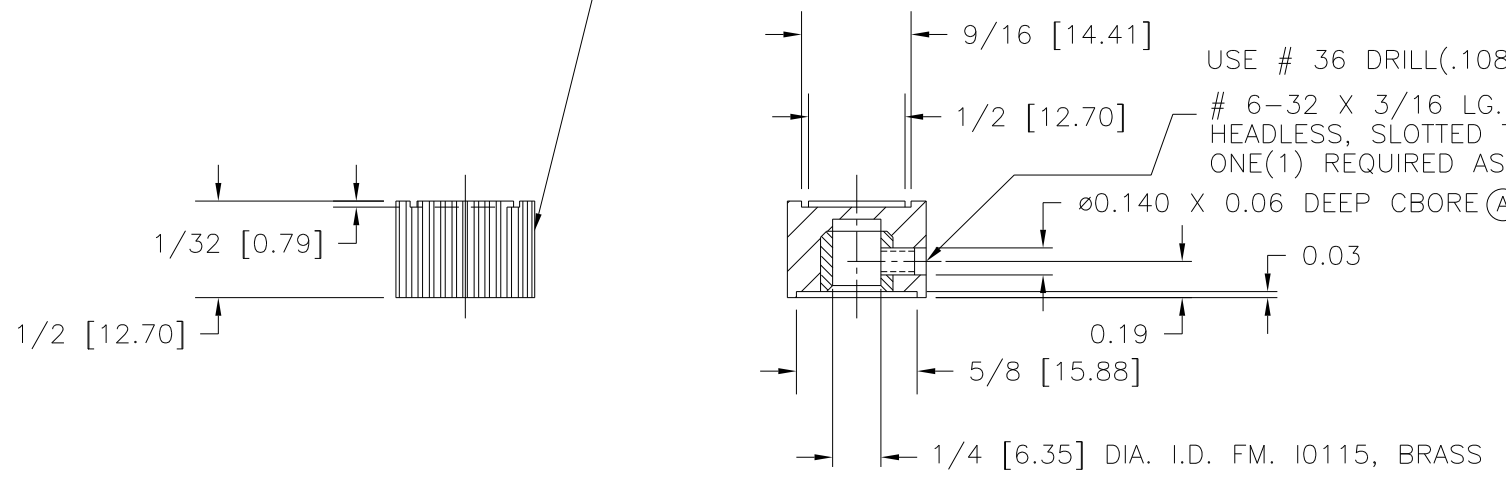
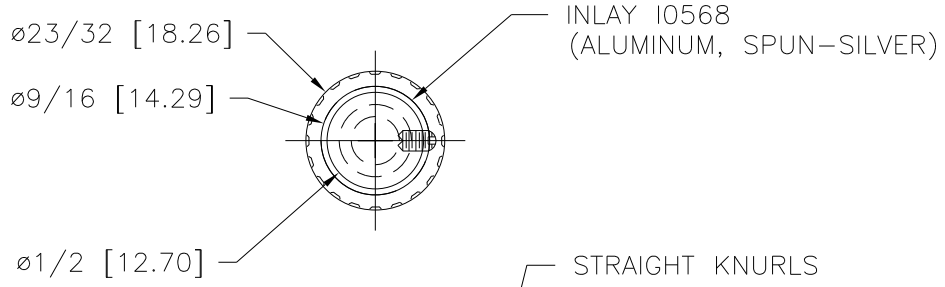
PART NAME: KNOB SCALE: 1:1 DATE: 4/7/95 DR. BY HD

THIS DRAWING IS THE PROPERTY OF DAVIES MOLDING COMPANY, IS SUBMITTED SOLELY AS A DESIGN OR ENGINEERING PROJECT. WE ACCEPT NO RESPONSIBILITY WHATSOEVER FOR THE PRACTICAL APPLICATION OF THE PIECES MADE TO THIS DESIGN.



DESIGNERS & MANUFACTURERS OF KNOBS, HANDLES, CASES & CUSTOM PLASTIC COMPONENTS

P/N 8070-J	
BASE PART	8070-01
SET SCREW	I0095
INLAY	I0568



MATERIAL : ABS
COLOR : BLACK

TOLERANCES: UNLESS OTHERWISE SPECIFIED	DO NOT SCALE DRAWING			
DECIMALS: X.XXX ± .005 X.XX ± .015	MM: X.XX ± 0.15MM X.X ± 0.4MM	A	WAS CSINK	JAM 2/11/13
FRACTIONS ± 1/64	ANG. ± 1°	-	UPDATED TOOLBOX	JAM 11/25/02
CHANGES				