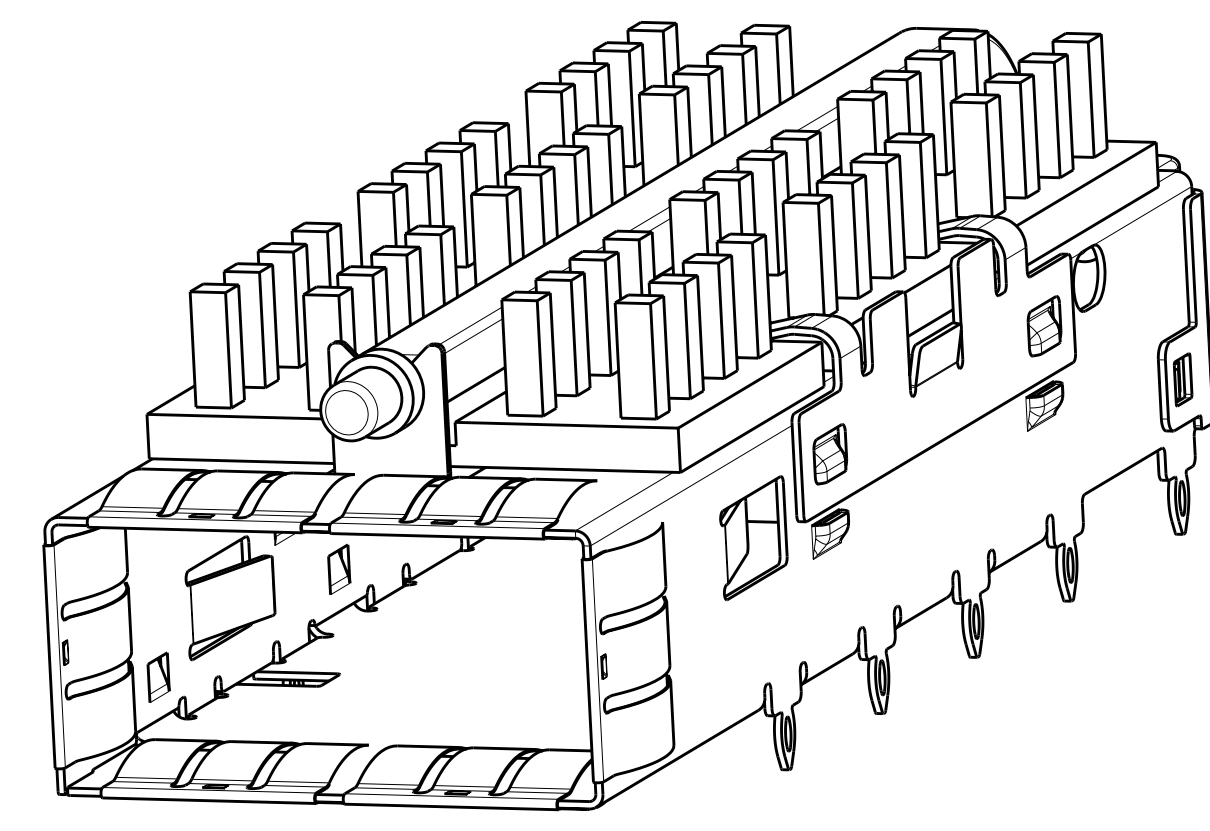
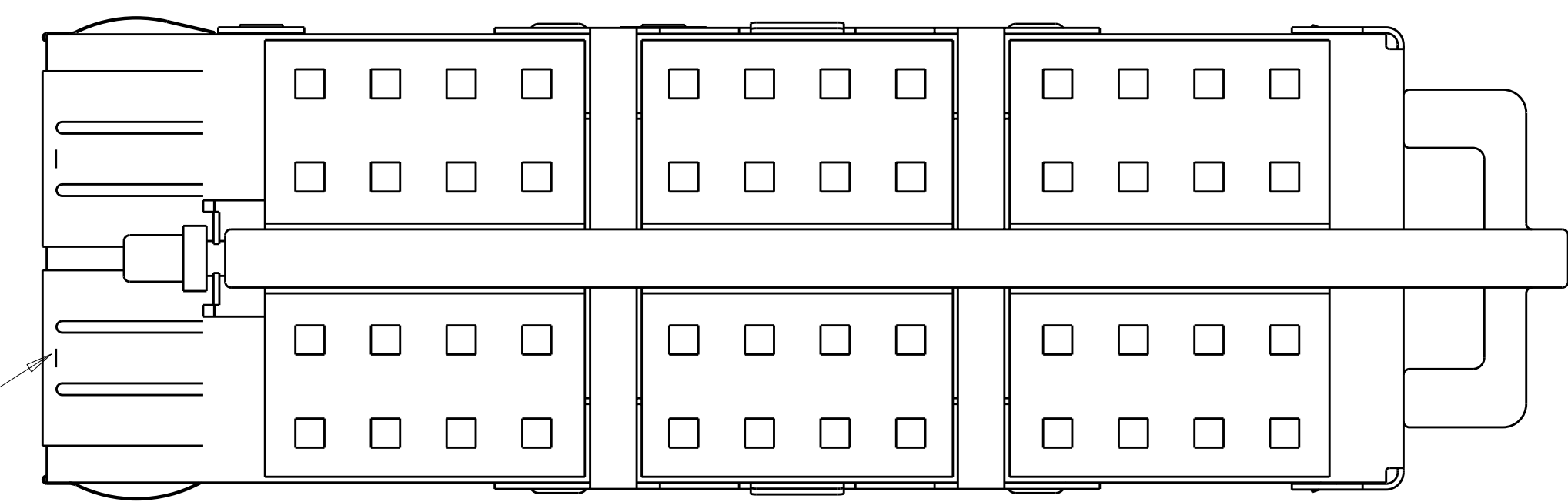


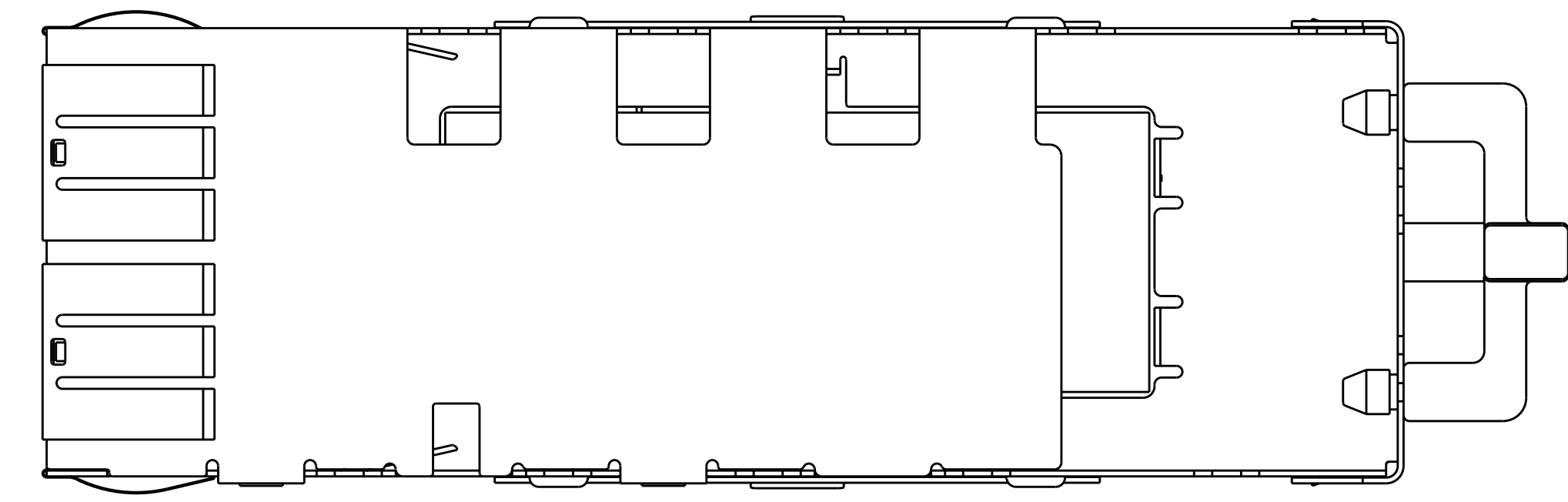
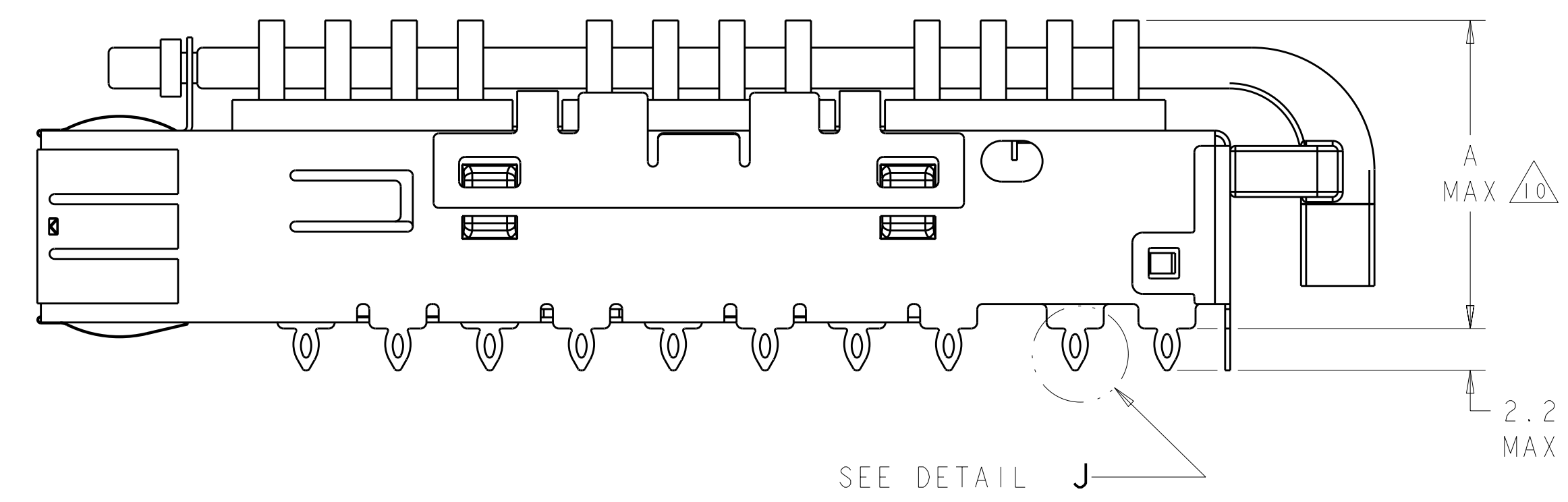
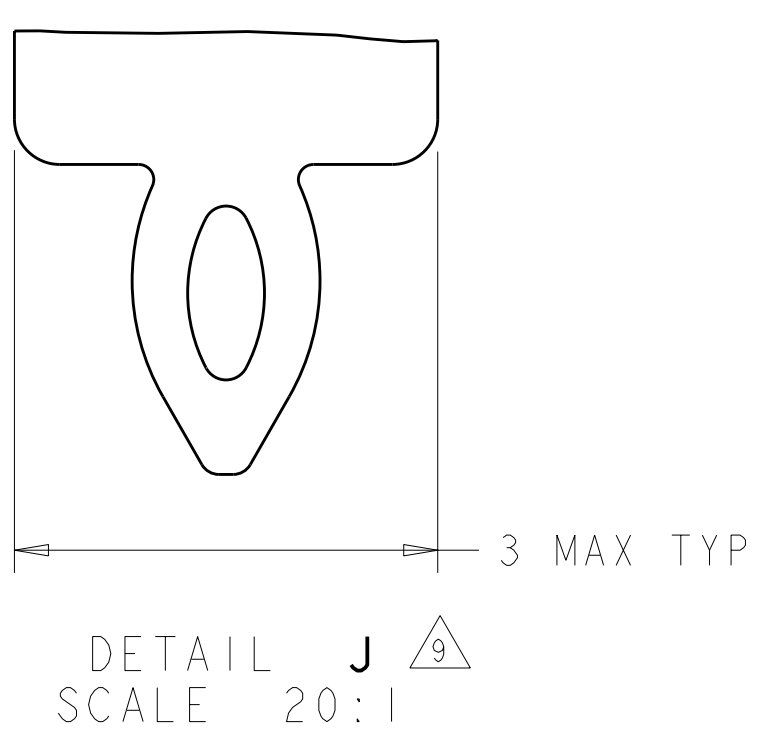
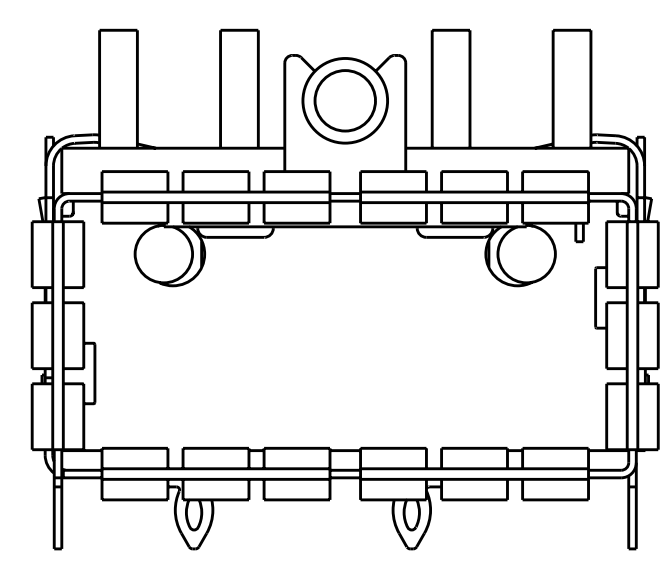
LOC	DIST	REV	DATE	BY	APPD
GP	00	B	11SEP2009	CR	JP



Sn42Bi58 SOLDER
6 PLACES



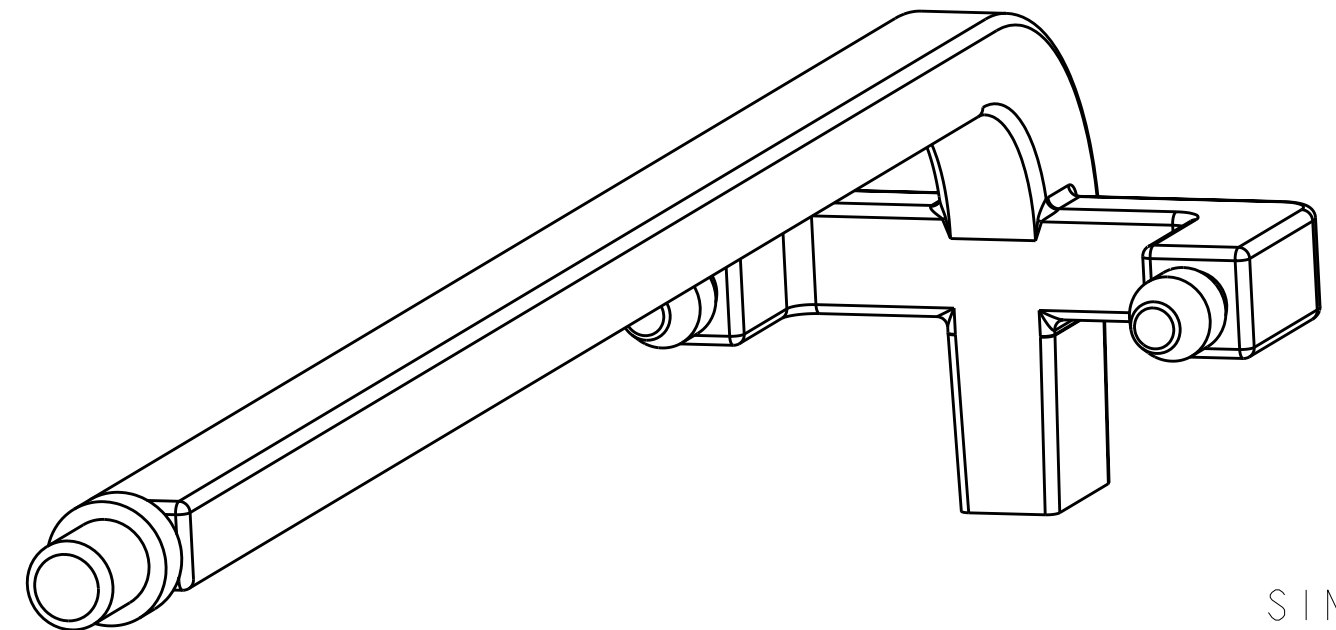
- 1. CAGE MATERIAL: NICKEL SILVER, 0.25 THICK
 HEAT SINK MATERIAL: ALUMINUM
 HEAT SINK CLIP MATERIAL: STAINLESS STEEL
 LIGHT PIPE MATERIAL: CLEAR POLYCARBONATE, UL-94V-0 RATED.
 EMI SPRING MATERIAL: COPPER ALLOY
- 2. MINIMUM PITCH DIMENSION.
- 3. MATES WITH QSFP MSA COMPATIBLE TRANSCEIVER.
- 4. REFERENCE APPLICATION SPEC 114-13217 FOR RECOMMENDED DRILL HOLE DIAMETER AND PLATING THICKNESS.
- 5. DATUMS AND BASIC DIMENSIONS ESTABLISHED BY CUSTOMER.
- 6. MINIMUM PC BOARD THICKNESS:
 SINGLE SIDED = 1.45mm (shown, pg. 4)
 DOUBLE SIDED = 2.2mm
- 7. HEAT SINK, CLIP, AND LIGHT PIPE SHIPPED ASSEMBLED TO CAGE ASSEMBLY. CAGE ASSEMBLY MAY BE PRESSED INTO THE PCB AS SHIPPED.
- 8. DATUM -A- IS TOP SURFACE OF HOST BOARD.
- 9. SURFACE TRACES PERMITTED WITHIN THIS AREA EXCEPT WHERE CAGE STANDOFFS, SHOWN IN DETAIL J, CONTACT PC BOARD.
- 10. DIMENSION APPLIES WITH MODULE INSTALLED IN THE CAGE TO TOP OF HEAT SINK.
- 11. MAXIMUM HEIGHT OF CUSTOMER SUPPLIED LED OFF PC BOARD: 1.70mm.
- 12. DATE CODE (YYWWD) MARKED ON TOP OF CAGE AND CONCEALED BY HEAT SINK APPLIES TO CAGE ASSEMBLY ONLY.
- 13. SPRING FINISH: 0.8µm MIN TIN OVER 0.8µm MIN NICKEL. NON-PLATED EDGES PERMISSIBLE.
- 14. PRODUCT HAS NOT COMPLETED QUALIFICATION TESTING.
- 15. HEAT SINK AND CLIP SHIPPED ASSEMBLED TO CAGE ASSEMBLY. CAGE ASSEMBLY MAY BE PRESSED INTO THE PCB AS SHIPPED. LIGHT PIPE MUST BE ASSEMBLED BY CUSTOMER AFTER THE CAGE IS SEATED ON THE PCB.



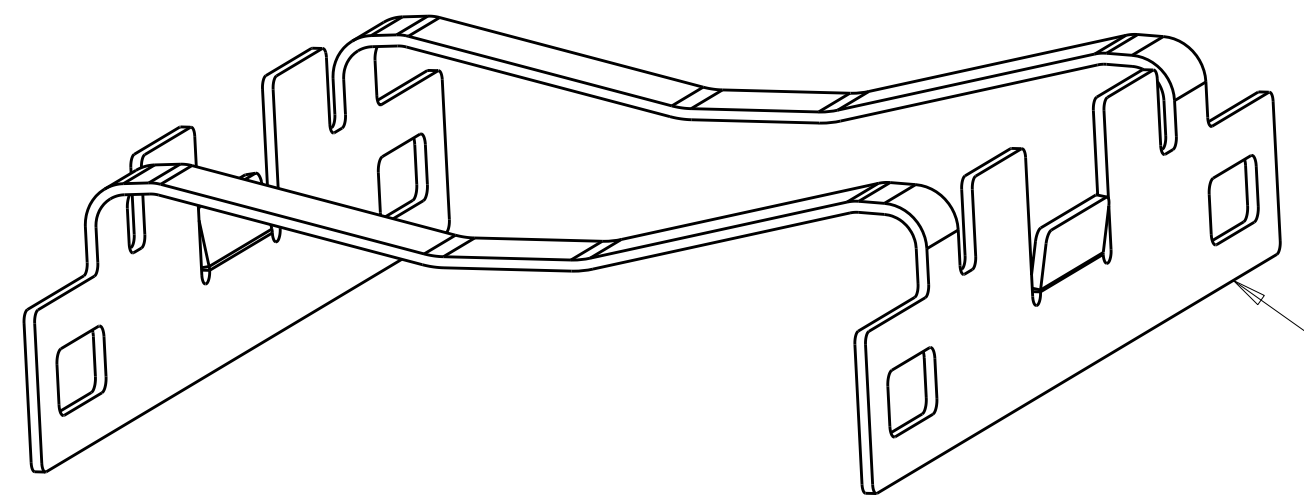
SIZE	CAGE CODE	DRAWING NO	RESTRICTED TO
13.7	PCI HEAT SINK	1888972-3	
23.0	NETWORKING HEAT SINK	1888972-2	
16.0	SAN HEAT SINK (SHOWN)	1888972-1	
A	DESCRIPTION	PART NUMBER	

DIMENSIONS: mm		TOLERANCES UNLESS OTHERWISE SPECIFIED: 9 PLC ±.5 1 PLC ±0.13 2 PLC ±0.13 3 PLC ±0.013 4 PLC ±0.001 ANGLES ±.		DWN C. VALENTINE 09MAR2007 CHK E. BRIGHT 09MAR2007 APPD E. BRIGHT 09MAR2007		Tyco Electronics Harrisburg, PA 17105-3608	
MATERIAL:		FINISH:		NAME: CAGE ASSEMBLY, THRU BEZEL, QSFP, W/ HEAT SINK AND SINGLE LIGHT PIPE		PRODUCT SPEC: 108-2286	
APPLICATION SPEC: 114-13217		WEIGHT:		SIZE: A 00779 C=1888972		RESTRICTED TO:	
CUSTOMER DRAWING		SCALE: 4:1		SHEET 1 OF 4		REV B	

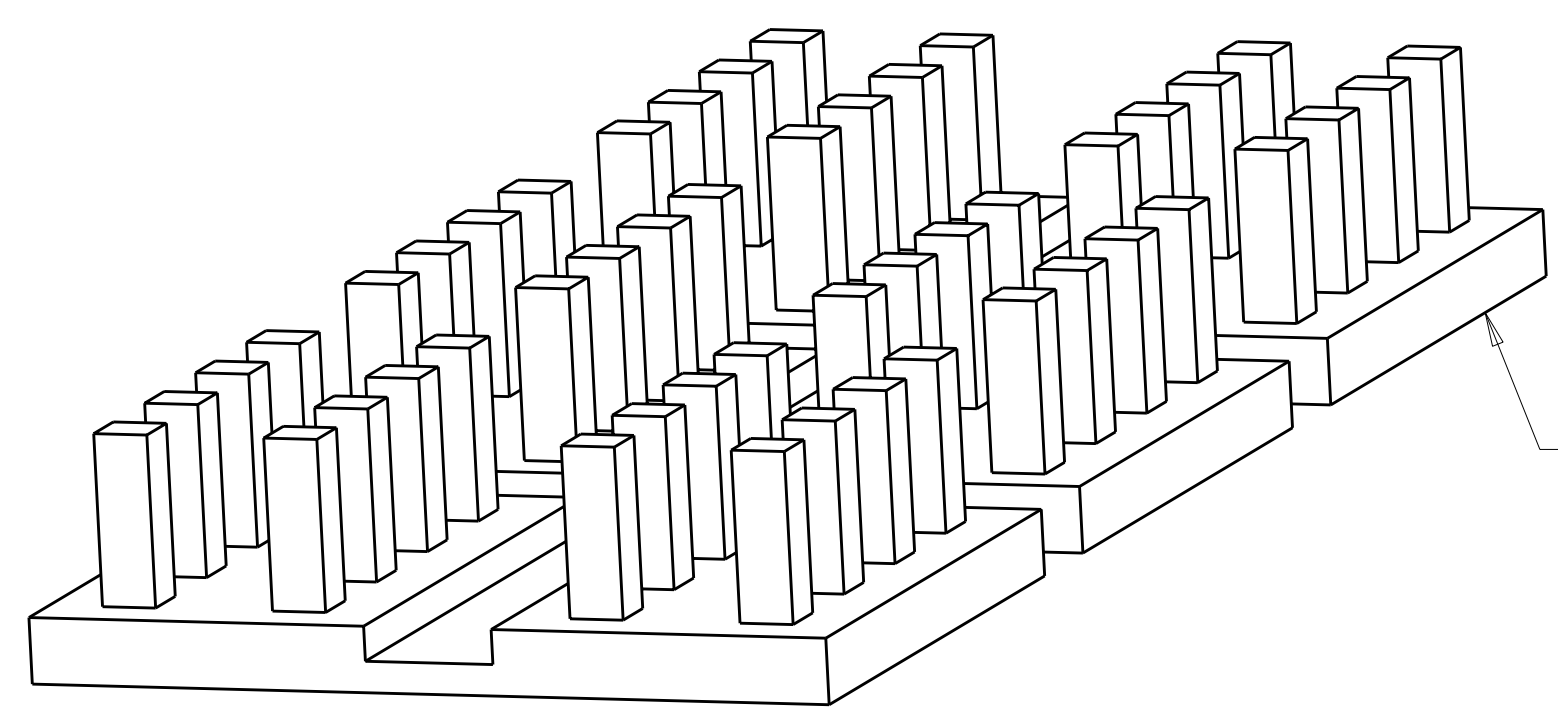
LOC	DIST	REVISIONS			
REV	DATE	DESCRIPTION	DATE	OWN	APVD
GP	00	SEE SHEET 1	-	-	-



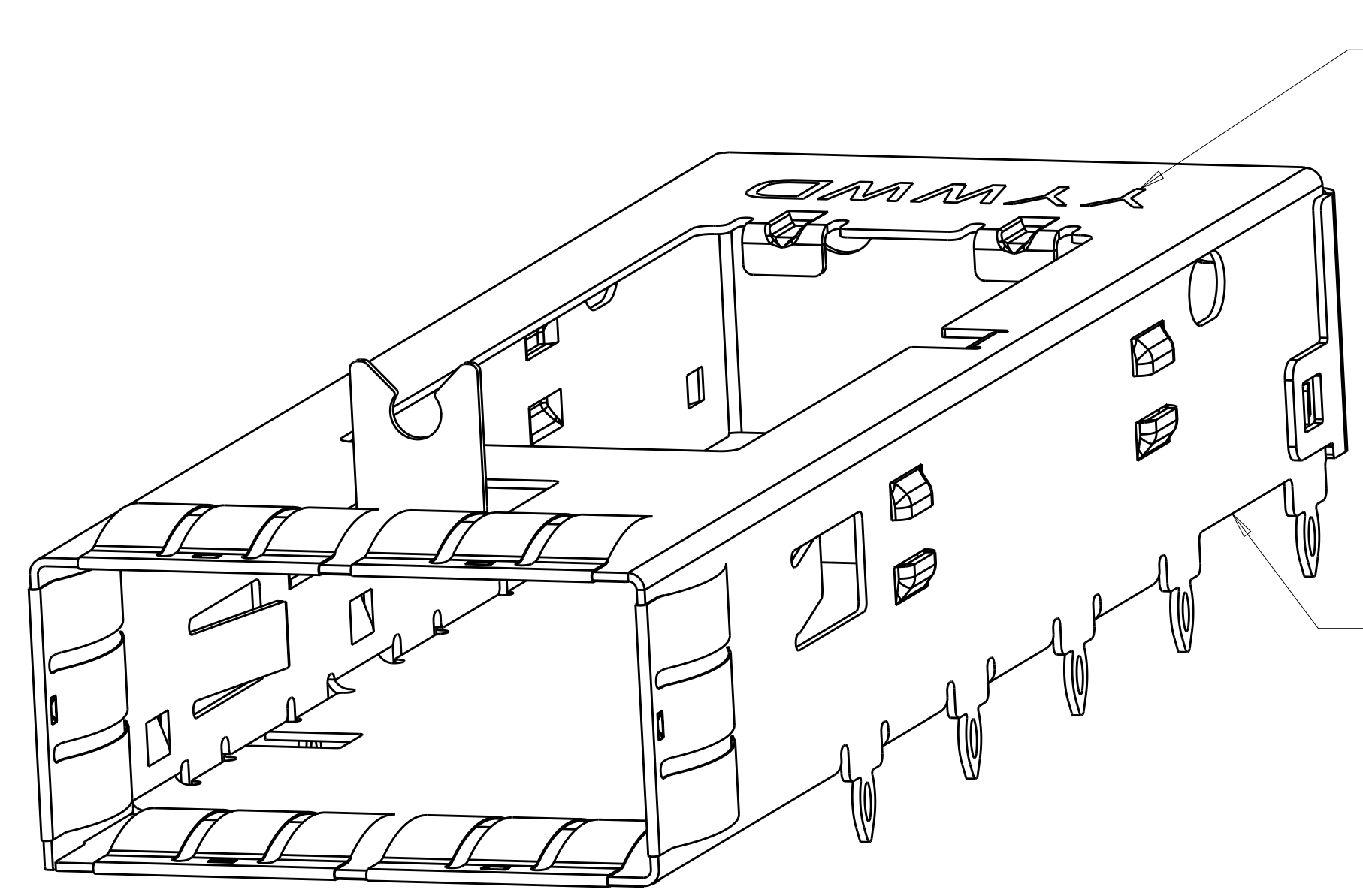
SINGLE LIGHT PIPE $\nabla 15$



HEAT SINK CLIP $\nabla 15$



HEAT SINK $\nabla 15$

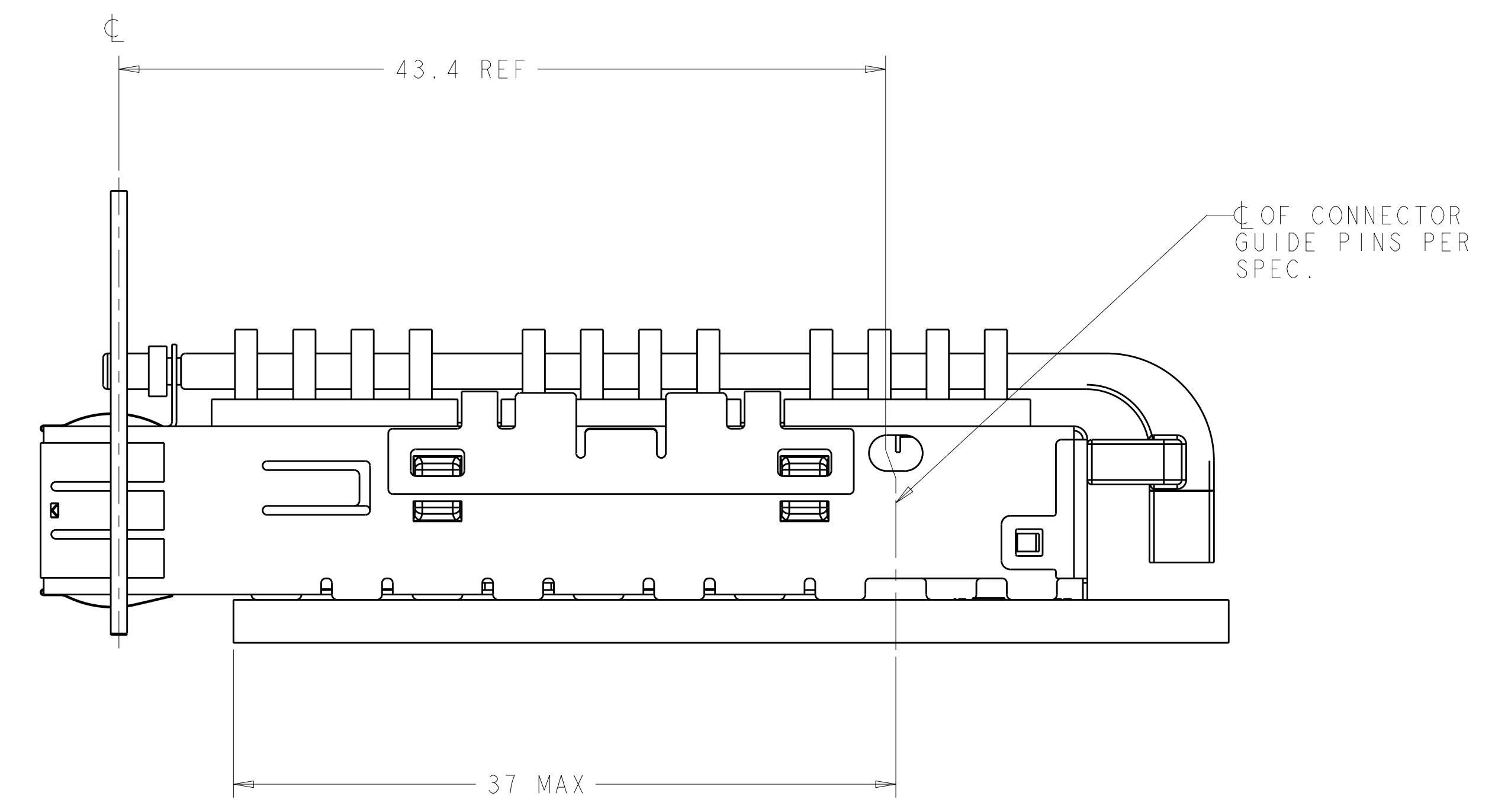
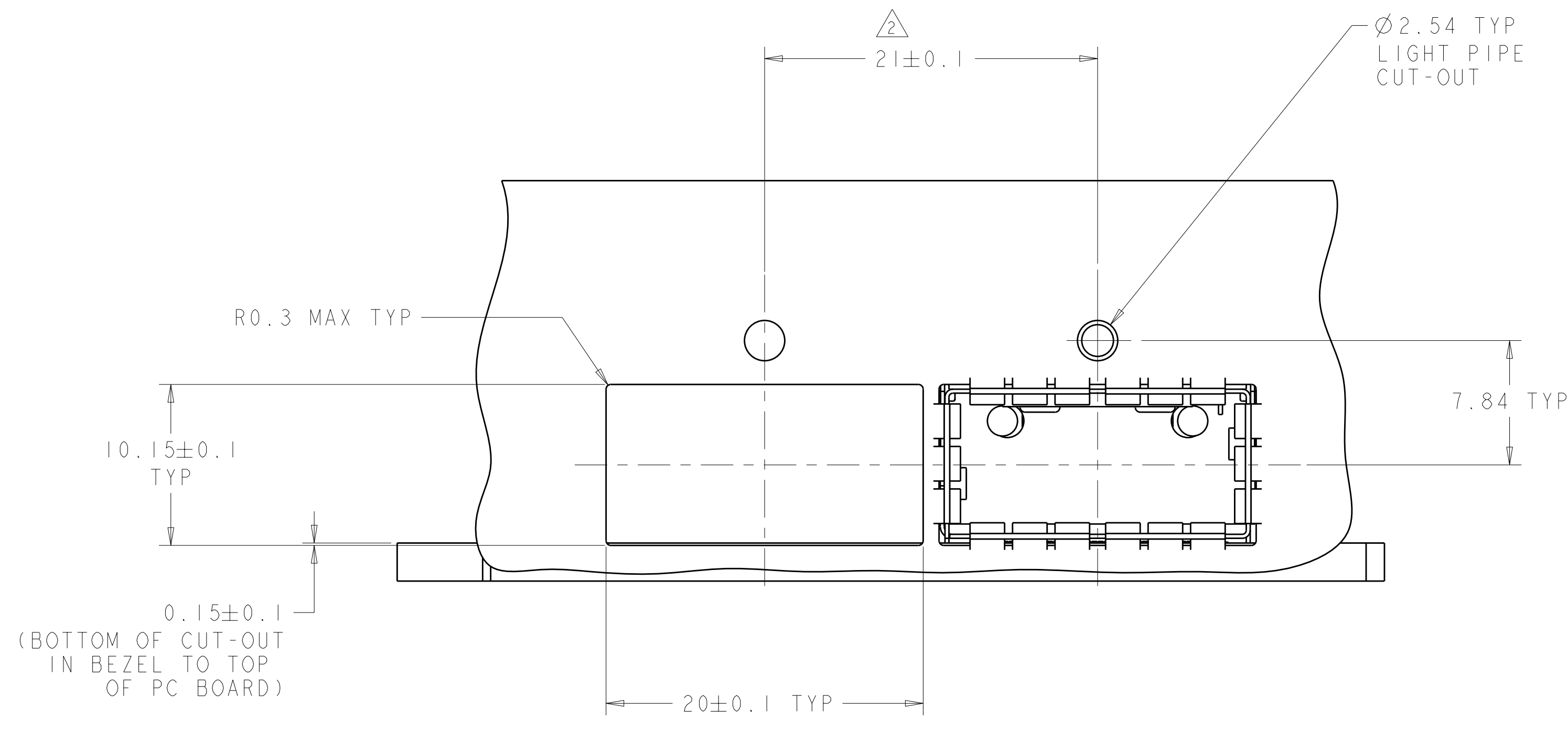


SINGLE QSFP CAGE
W/ LIGHT PIPE HOLDER $\nabla 12$

EXPLODED ISOMETRIC VIEW
SCALE 6:1

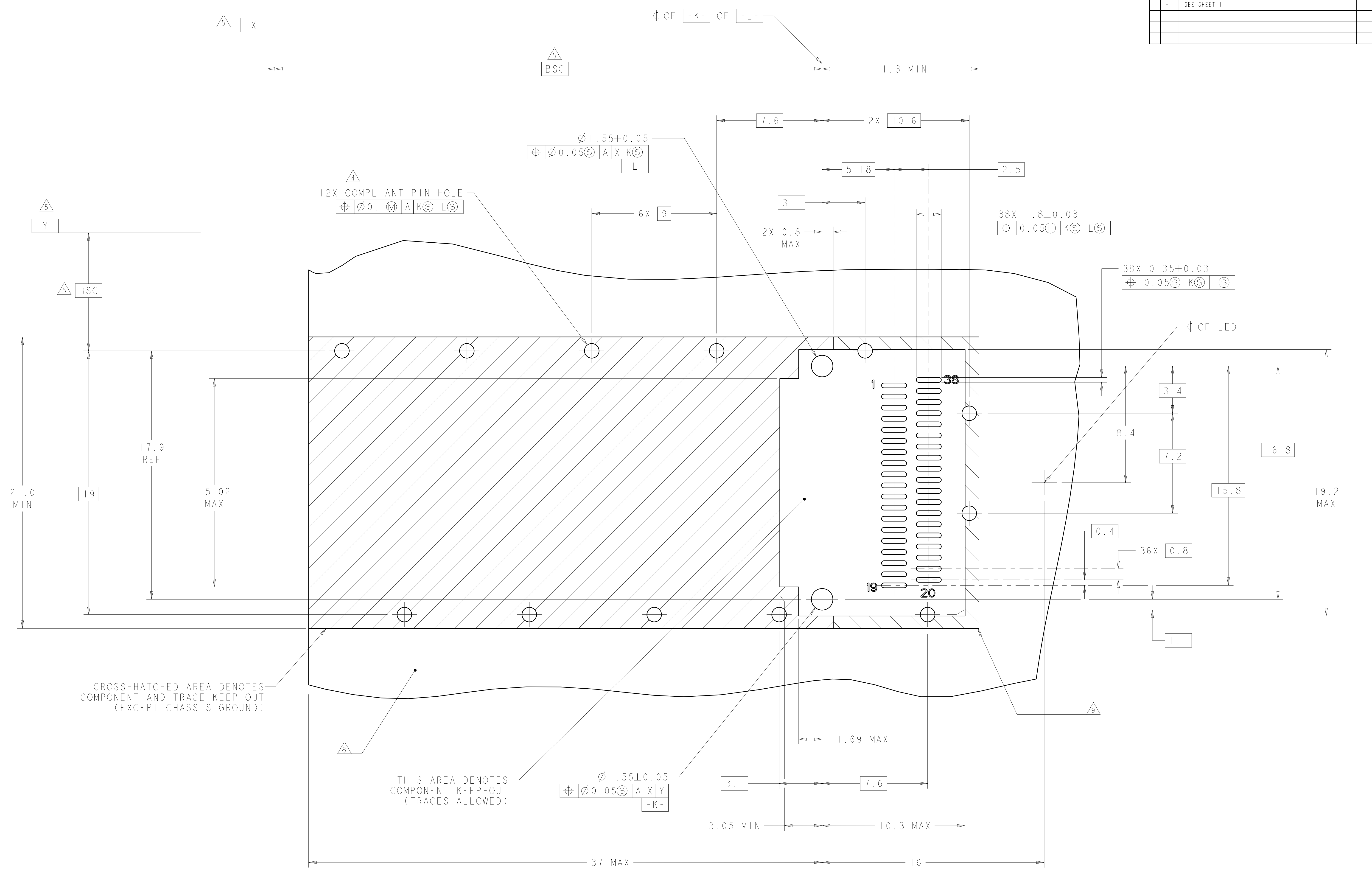
<small>THIS DRAWING IS UNPUBLISHED. RELEASED FOR PUBLICATION 2007. IT IS SUBJECT TO CHANGE WITHOUT NOTICE AND WITHOUT OBLIGATION. SHOULD BE CONTACTED FOR THE LATEST REVISION.</small>		DWN C. VALENTINE 09MAR2007 CHK E. BRIGHT 09MAR2007 APVD E. BRIGHT 09MAR2007	Tyco Electronics Harrisburg, PA 17105-3608
DIMENSIONS: mm 		TOLERANCES UNLESS OTHERWISE SPECIFIED: 0 PLC ± 1 PLC ±0.5 2 PLC ±0.13 3 PLC ±0.013 4 PLC ±0.001 ANGLES ± FINISH	NAME CAGE ASSEMBLY, THRU BEZEL, QSFP, W/ HEAT SINK AND SINGLE LIGHT PIPE PRODUCT SPEC 108-2286 APPLICATION SPEC 114-13217 WEIGHT - CUSTOMER DRAWING
MATERIAL - FINISH -		SIZE A100779C-1888972 SCALE 4:1	RESTRICTED TO - SHEET 2 OF 4 REV B

LOC	DIST	REVISIONS			
P	LTB	DESCRIPTION	DATE	OWN	APVD
GP	00	SEE SHEET 1	-	-	-



DIMENSIONS: mm 		TOLERANCES UNLESS OTHERWISE SPECIFIED: 0 PLC ± 1 PLC ±0.5 2 PLC ±0.13 3 PLC ±0.013 4 PLC ±0.001 ANGLES ± FINISH		DWN C. VALENTINE 09MAR2007 CHK E. BRIGHT 09MAR2007 APVD E. BRIGHT 09MAR2007		Tyco Electronics Harrisburg, PA 17105-3608	
MATERIAL FINISH		PRODUCT SPEC 108-2286 APPLICATION SPEC 114-13217		NAME CAGE ASSEMBLY, THRU BEZEL, QSFP, W/ HEAT SINK AND SINGLE LIGHT PIPE		SIZE CAGE CODE DRAWING NO A100779C-1888972	
CUSTOMER DRAWING		WEIGHT -		RESTRICTED TO -		SCALE 4:1 SHEET 3 OF 4 REV B	

LOC	DIST	REV	DATE	BY	APPD
GP	00				
DESCRIPTION		DATE	BY	APPD	
SEE SHEET 1					



CROSS-HATCHED AREA DENOTES COMPONENT AND TRACE KEEP-OUT (EXCEPT CHASSIS GROUND)

THIS AREA DENOTES COMPONENT KEEP-OUT (TRACES ALLOWED)

RECOMENDED PC BOARD LAYOUT
 SCALE 8:1

DIMENSIONS: mm 		TOLERANCES UNLESS OTHERWISE SPECIFIED: 9 PLC ±.5 8 PLC ±0.13 5 PLC ±0.013 4 PLC ±0.001 ANGLES ±.1		DWN C. VALENTINE 09MAR2007 CHK E. BRIGHT 09MAR2007 APVD E. BRIGHT 09MAR2007		Tyco Electronics Harrisburg, PA 17105-3608	
MATERIAL FINISH		WEIGHT CUSTOMER DRAWING		NAME CAGE ASSEMBLY, THRU BEZEL, QSFP, W/ HEAT SINK AND SINGLE LIGHT PIPE		SIZE CAGE CODE DRAWING NO A100779C-1888972	
				RESTRICTED TO SCALE 4:1 SHEET 4 OF 4 REV B			