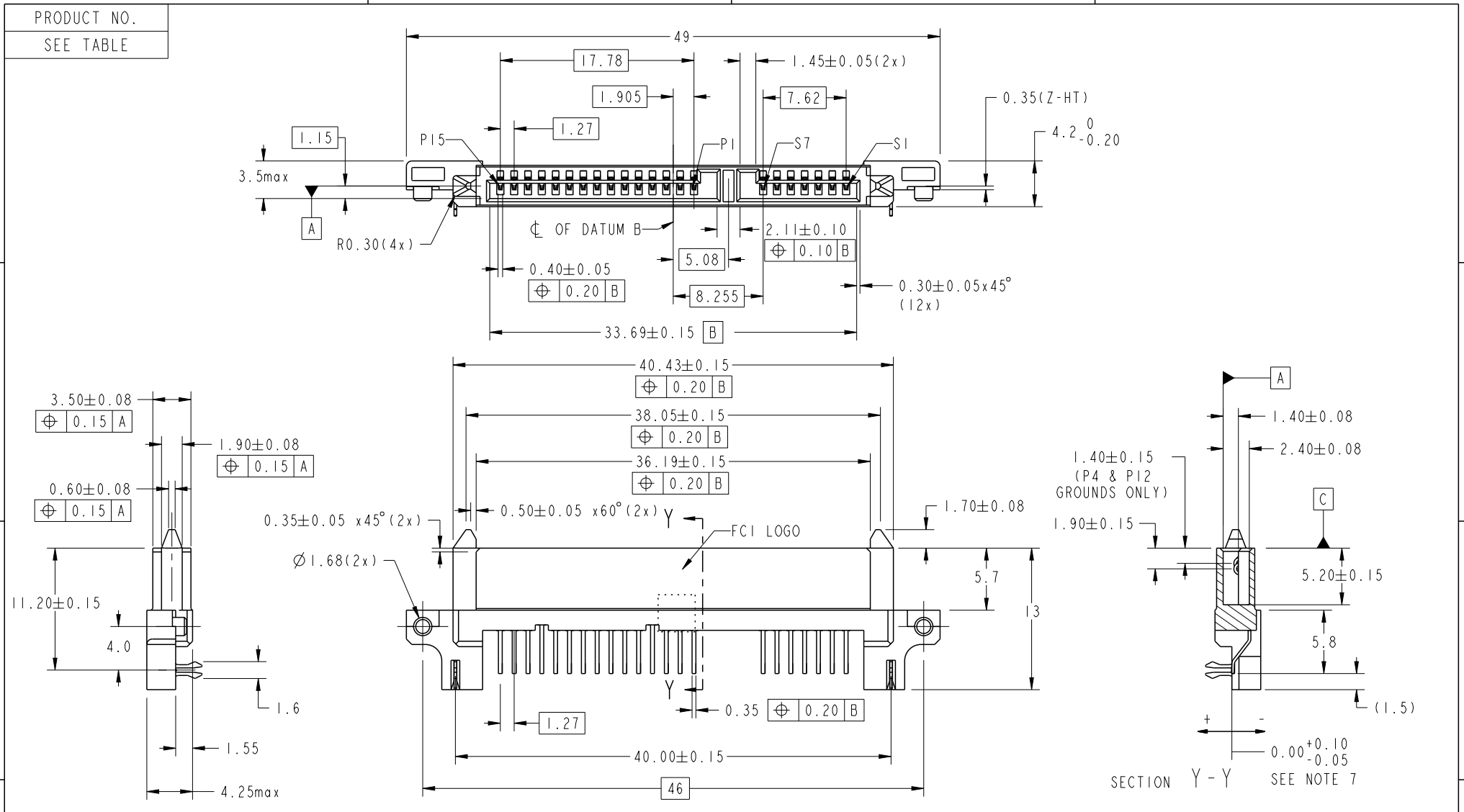




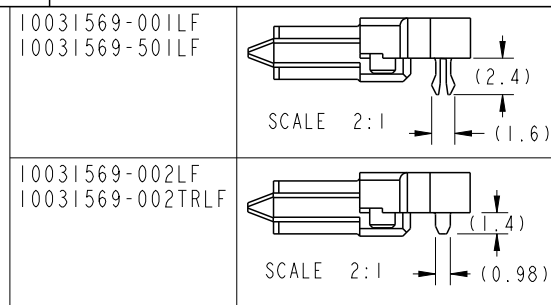
Copyright FCI.



spec ref		dr	w cadmin	2006/02/16	projection 	MM ←→	size	A4	scale	1:1
tolerance std		eng	Koon-Poh Tay	2013/02/03			ecn no	ELX-S-13939-2		
ASME Y14.5		chr	-	-			rel level	Released		
surface	linear	0.X	±0.25		product family	dwg no	10031569	rev	J	
		0.XX	±0.20							
	angular	0°	±°		product family	Product - Customer Drw		sheet 1 of 2		

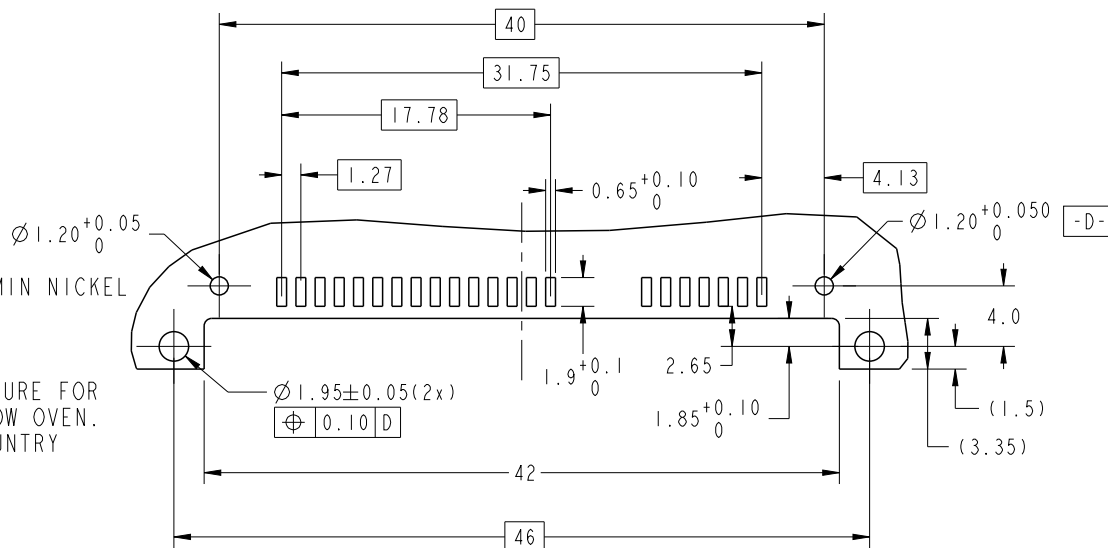
PrdE File - REV C - 2009-06-09

PRODUCT NO.	RECOMMENDED P.C.B. THICKNESS	PLATING	PACKAGING
10031569-001LF	1.6mm	NOTE 2	TRAY
10031569-501LF		NOTE 8	
10031569-002LF		NOTE 2	
10031569-002TRLF	-	NOTE 2	TAPE & REEL



NOTES:-

- MATERIAL:
 - HOUSING : HIGH TEMP. THERMOPLASTIC, UL 94V-0
COLOR : BLACK
 - TERMINAL : COPPER ALLOY
 - HOLD DOWN : COPPER ALLOY
- FINISH:
 - TERMINAL : 30u" Au PLATING (CONTACT POINT) OVER 50u" MIN NICKEL
 - SOLDER TAIL : 100u" MIN TIN OVER 50u" NICKEL
 - HOLD DOWN : 100u" MIN TIN OVER 50u" NICKEL
- THE STANDARD PACKAGING IS IN TRAY.
- THE HOUSING WILL WITHSTAND EXPOSURE TO 260°C PEAK TEMPERATURE FOR 10 SECONDS IN A CONVECTION, INFRA-RED OR VAPOR PHASE REFLOW OVEN.
- THIS PRODUCT MEETS EUROPEAN UNION DIRECTIVES AND OTHER COUNTRY REGULATIONS AS DESCRIBED IN GS-22-008
- PART NUMBERS ENDING IN "LF" ARE MEANT FOR LEAD-FREE IDENTIFICATION. P/N XXXXXXXXX-XXXLF IS EQUIVALENT TO PREVIOUS P/N XXXXXXXXX-XXX
- ALL SOLDER TAIL TO BE WITHIN 0.12mm MAX. COPLANARITY.
- FINISH:
 - TERMINAL : 15u" Au PLATING (CONTACT POINT) OVER 50u" MIN NICKEL
 - SOLDER TAIL : 100u" MIN TIN OVER 50u" NICKEL
 - HOLD DOWN : 100u" MIN TIN OVER 50u" NICKEL
- A \triangle SYMBOL WILL BE NEXT TO ANY DIMENSION, VIEW, OR NOTE WHICH HAS BEEN MODIFIED WITH THE CURRENT DRAWING REVISION.



RECOMMENDED P.C.B LAYOUT
TOLERANCE UNLESS OTHERWISE: ±0.1

spec ref		dr	w wadmin	2006/02/16	projection 	MM ←→	size	A4	scale	2:1
tolerance std		eng	Koon-Poh Tay	2013/02/03			ecn no	ELX-S-13939-2		
ASME Y14.5		chr	-	-			rel level	Released		
surface <input checked="" type="checkbox"/>	linear	0.X	±0.25		product family	-	rev	J		
		0.XX	±0.20							
		0.XXX	±0.10							
	angular	0°	±°		product family	-	Product - Customer Drw	sheet 2 of 2		