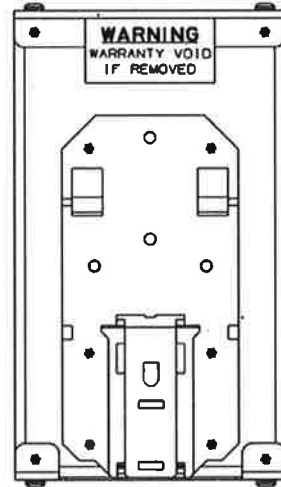
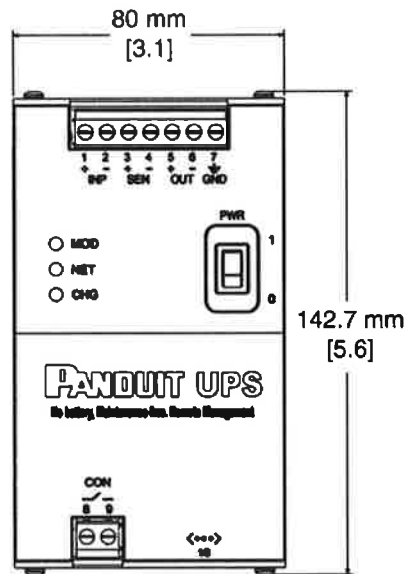
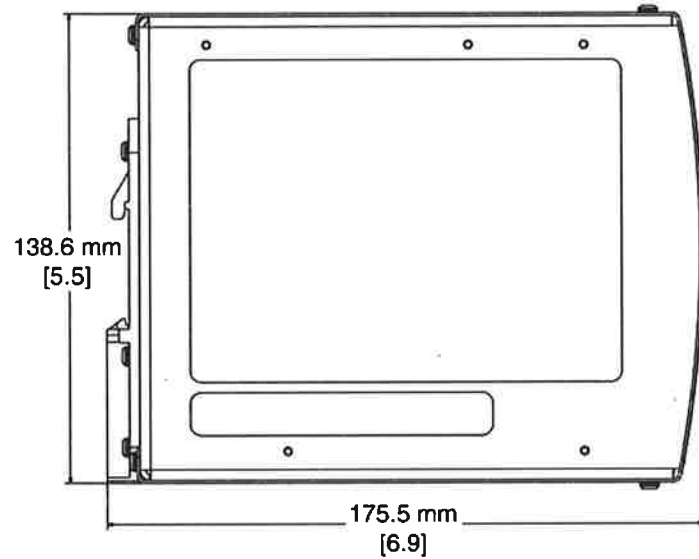
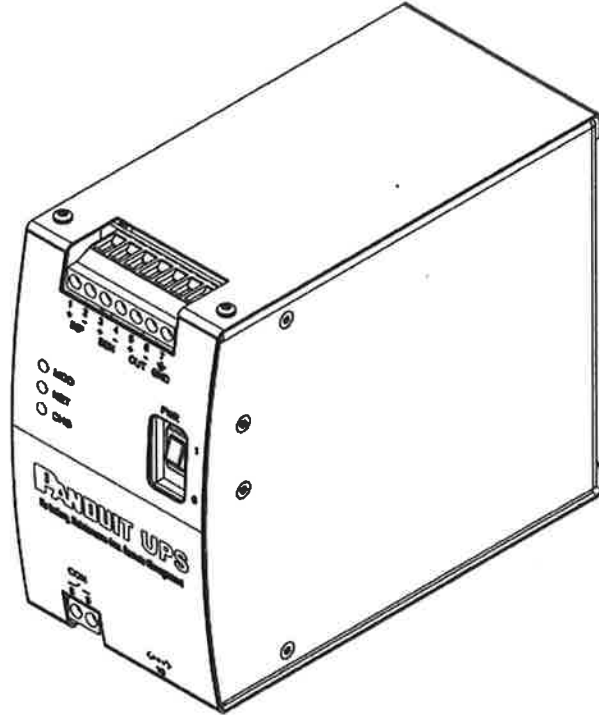
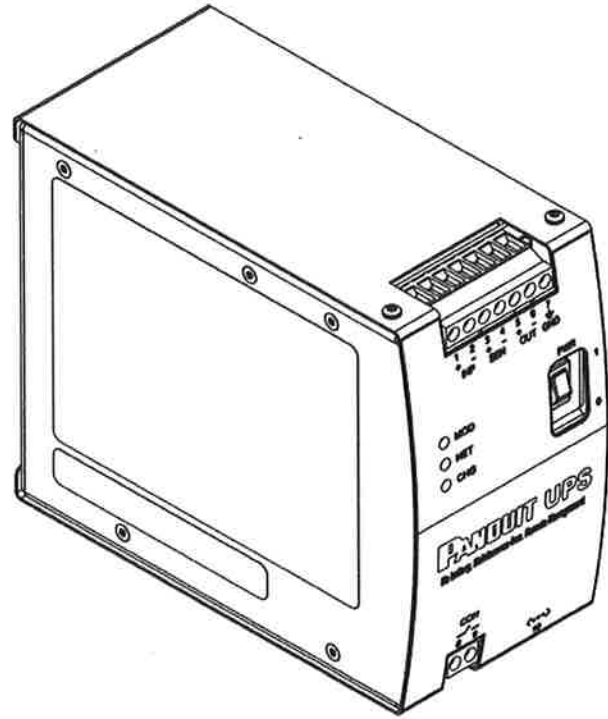


THIS COPY IS PROVIDED ON A RESTRICTED BASIS AND IS NOT TO BE USED IN ANY WAY DETRIMENTAL TO THE INTERESTS OF PANDUIT CORP.



**NOTES, UNLESS OTHERWISE SPECIFIED:**

**PANDUIT PART NO.: UPS003024024015**  
(Uninterruptible Power Supply)

**ACCESSORIES**

Load Sense Module Panduit part number UPS003LSM

**UPS GENERAL SPECIFICATIONS**

**Input Power**

- Voltage: 24.0 to 28.0 VDC
- Power: Fast Charge: 53 W Max.
- Medium Charge: 37 W Max.
- Slow Charge: 20 W Max.
- Current: 3.6 A Max.
- Protection: Over-voltage shut down at 32VDC.
- Maximum overvoltage is: +60VDC at 25°C ambient
- Reverse voltage maximum is: -60VDC at 25°C ambient

**Output Power**

- Voltage: Input present: 500 mV drop at 35 W load
- Input not present: 21.0 to 23.0 VDC
- Current: 1.6 A Max.
- Short circuit rating: 3.6 to 4.6 A

**Environmental**

- Operating Temperature: -40°C to +60°C.
- Storage (non-operational) Temperature: -40°C to +70°C.
- Humidity: 0 to 95% RH, noncondensing
- Operational Vibration: 2G at 10 to 500 Hz
- Operational Shock: 20G (11ms 3 bumps / direction, 18 bumps in total)

**Weight:** 2177 gr. / 4.8 lbs.

**Numbers shown in parentheses [ ] are inches.**

F:\wrkgrp\rvusers\ENGR DOCS\CUSTOMER DRAWINGS\FG27232B01\_01.doc

REV	DATE	BY	CHK	APR	DESCRIPTION	ECN	UNLESS OTHERWISE SPECIFIED, DIMENSIONAL TOLERANCES ARE:				DRAWING NUMBER: FG27232B01	
01	2-11-14	BLR	SILD	ALP	UPD GRAPHIC AND SPECS	4628	(.x) ±	---	(.xxx) ±	---	DRAWING NUMBER: FG27232B01	
00	10/11/13	BLR	SILD	ALP	RELEASED	4606	(.xx) ±	---	ANGLES ±	---	DRAWING NUMBER: FG27232B01	
							THIRD ANGLE PROJECTION				SHT 1 OF 1	SIZE B

**UPS003024024015**  
**(UNINTERRUPTIBLE POWER SUPPLY)**

CUSTOMER DRAWING

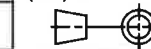
ITEM REVISION NAME:  
**FG27232B01\_01**



MATERIAL:

UNLESS OTHERWISE SPECIFIED, DIMENSIONAL TOLERANCES ARE:

(.x) ± --- (.xxx) ± ---  
(.xx) ± --- ANGLES ± ---



THIRD ANGLE PROJECTION

DRAWN BY: BLR DATE: 10-11-13 CHK SILD SCALE NONE