

NOTES:

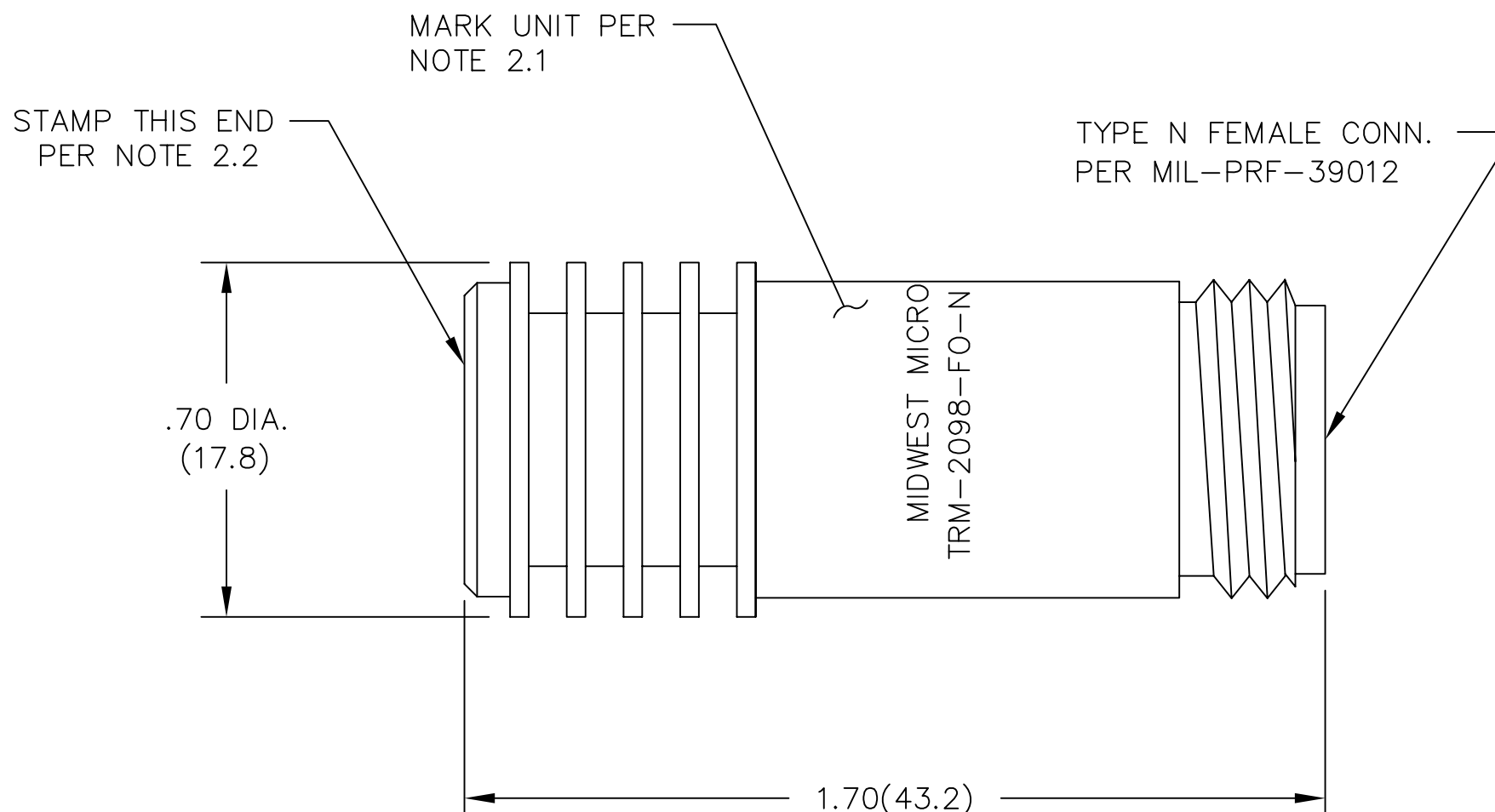
1.0 ELECTRICAL SPECIFICATIONS

- 1.1 FREQUENCY RANGE: DC to 18.0 GHz
- 1.2 INPUT POWER (MAXIMUM):
10 WATTS AVG. AT +25°C DERATED
LINEARLY TO 1.0 WATT AT +125°C.
- 1.3 PEAK POWER: 0.25 KW (5μSEC PULSE WIDTH).
- 1.4 OPERATING TEMP. RANGE: -54°C to +125°C.
- 1.5 IMPEDANCE: 50 OHMS.
- 1.6 VSWR (MAX.): 1.05 + 0.01 f(GHz)

2.0 MARKING

- 2.1 MARK UNIT AS SHOWN.
(REF: INK-02639-27-18)
- 2.2 STAMP END WITH "CAUTION HOT" STAMP
(REF.: INK-04494-27-01) NOTE: USE
RED INK FOR THIS STAMP ONLY.

3.0 DIMENSIONS IN PARENTHESIS ARE MILLIMETERS.



DWG NO. WAS: 03444-01-00

REV.	DESCRIPTION	DATE
-	RELEASED	4/23/80
A	ECR 6545	7/6/89
A1	UPDATE MODEL NO.	7/22/92
B	ON CAD/UPDATE SPECS	6/15/93
C	ECN 13716	6/23/94
C1	ADDED TITLEBLOCK	10/31/05

UNLESS OTHERWISE NOTED DIMENSIONS ARE IN INCHES AND TOLERANCES ARE:		FSCM NO. 34078		MIDWEST MICROWAVE	
3 PLACE DECIMALS ±.005		NOTICE: The information contained in this drawing is proprietary and must not be used without the permission of Midwest Microwave		TITLE TERMINATION - TYPE N	
2 PLACE DECIMALS ±.02					
FRACTIONS ±1/64		DRAWN/DATE M.HOLLMAN 6/15/93		ENG./DATE G.KOZAK 6/17/93	
PARALLELITY: T.I.R. _____		CHECKED/DATE A.BEATTY 6/16/93		APPROVED/DATE	
FLATNESS: T.I.R. _____		DRAWING NUMBER TRM-2098-FO-NNN-07		SCALE: 3=1	
CONCENTRICITY: T.I.R. _____		ANGLES AND PERPENDICULARITY: ±1'		SHEET 1 of 1	

MODEL NUMBER
TRM-2098-FO-NNN-07
REV.
C1