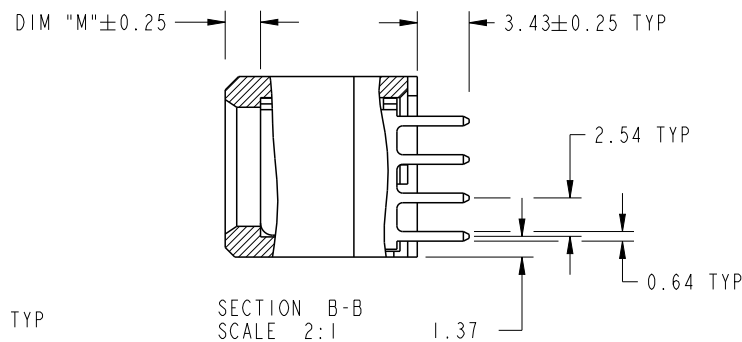
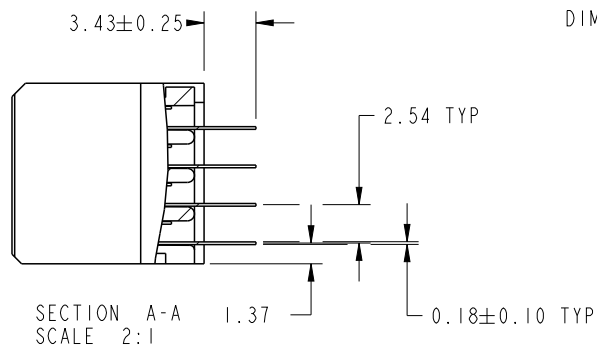




PRODUCT NUMBER

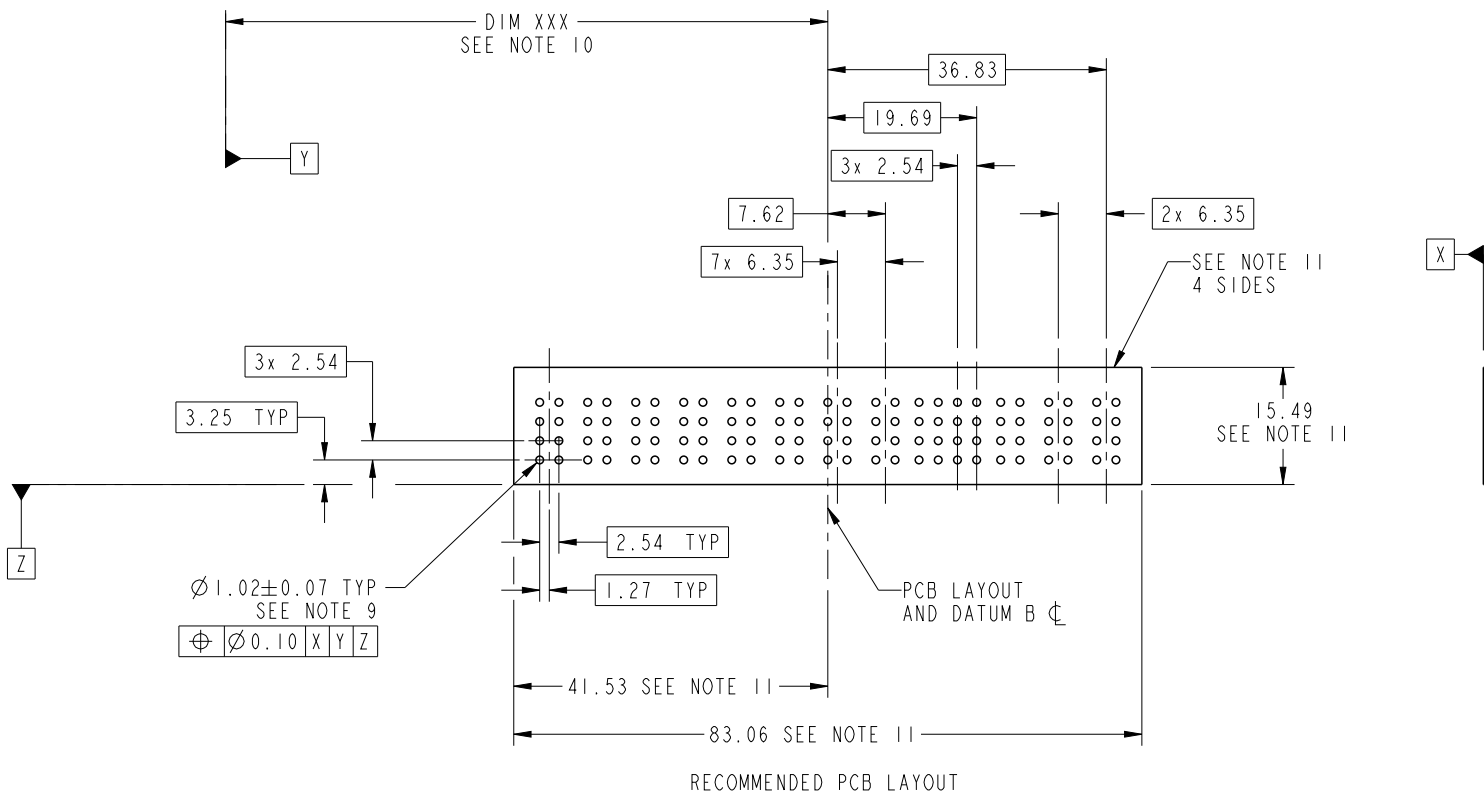
51940-433\_\_  
NOTE: 3



dr	Shi Guang	2012/05/03	projection 	MM 	size	A4	scale	1:1	
eng	Luo Weller	2013/03/28			ecn no	-			
chr	-	-			rel level	Released			
appr	Pei-Ming Zheng	2013/03/28	product family	PwrBlade					
		title	3P + 16S + 8P VERTICAL SOLDER RECEPT		dwg no	51940-433		rev	A
www.fci.com		cat. no.	*	Product - Customer Drw			sheet 2 of 4		

PRODUCT NUMBER

51940-433\_  
NOTE: 3



Copyright FCI.

dr	Shi Guang	2012/05/03	projection 	MM 	size	A4	scale	1:1
eng	Luo Weller	2013/03/28			ecn no	-		
chr	-	-						
appr	Pei-Ming Zheng	2013/03/28	product family	PwrBlade	rel level	Released		
	title	3P + 16S + 8P VERTICAL SOLDER RECEPT		dwg no	51940-433		rev	A
www.fci.com	cat. no.	*	Product - Customer Drw			sheet 3 of 4		

PRODUCT NUMBER

51940-433\_\_  
NOTE: 3

NOTES:

1. DIMENSIONS AND TOLERANCES ARE IN ACCORDANCE WITH ASME Y14.5M, 1994 UNLESS OTHERWISE SPECIFIED.

CONNECTOR NOTES:

2 HOUSING MATERIAL: UL 94 V-0 GLASS FILLED HIGH-TEMP THERMOPLASTIC  
POWER CONTACT MATERIAL: COPPER ALLOY  
SIGNAL PIN MATERIAL: COPPER ALLOY

3. SEE ITEM 5 & 6 IN PRINT 10064183 FOR PLATING SPEC OF 51940-433 AND 51940-433LF RESPECTIVELY.

4 MANUFACTURER'S NAME, DATE CODE AND OPTIONAL P/N TO APPEAR ON THIS SURFACE. THE P/N CAN BE OMITTED IF THERE IS NOT ENOUGH SPACE ON THIS SURFACE.

5. PRODUCT SPECIFICATION GS-12-149.  
APPLICATION SPECIFICATION BUS-20-067.

6. PACKAGED IN TRAYS.

PCB NOTES:

7. ALL HOLE DIAMETERS ARE FINISHED HOLE SIZE.

8 MOUNTING HOLES, WHERE APPLICABLE, ARE UNPLATED.

9  $\varnothing 1.151 \pm 0.025$  DRILLED HOLES PLATED WITH  
0.008 MIN SnPb OR Sn OVER 0.03  
TO 0.08 Cu PLATING TO ACHIEVE  
 $\varnothing 1.02 \pm 0.07$  HOLE.

10 "DIM XXX" TO BE DETERMINED BY THE CUSTOMER.

11 CONNECTOR KEEP-OUT ZONE.

12. THE VOID CORING IN BETWEEN POWER MODULES, SIGNAL MODULES AND END MODULES ARE OPTIONAL AND THE SHAPE MAY BE DIFFERENT FOR OPTIMIZE THE MOLDING PROCESS. THE VOID CORING WILL NOT EFFECT TO PRODUCT FUNCTION.



Copyright FCI.

dr	Shi Guang	2012/05/03	projection 	MM 	size	A4	scale	1:1	
eng	Luo Weller	2013/03/28			ecn no	-			
chr	-	-			product family	PwrBlade	rel level	Released	
appr	Pei-Ming Zheng	2013/03/28			title	3P + 16S + 8P		rev	A
www.fci.com		cat. no.	*	Product - Customer Drw		sheet 4 of 4			
		dwg no	51940-433						