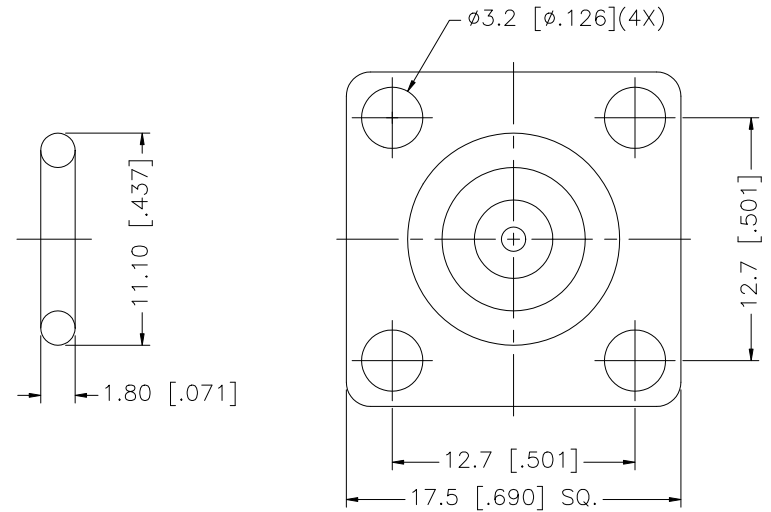
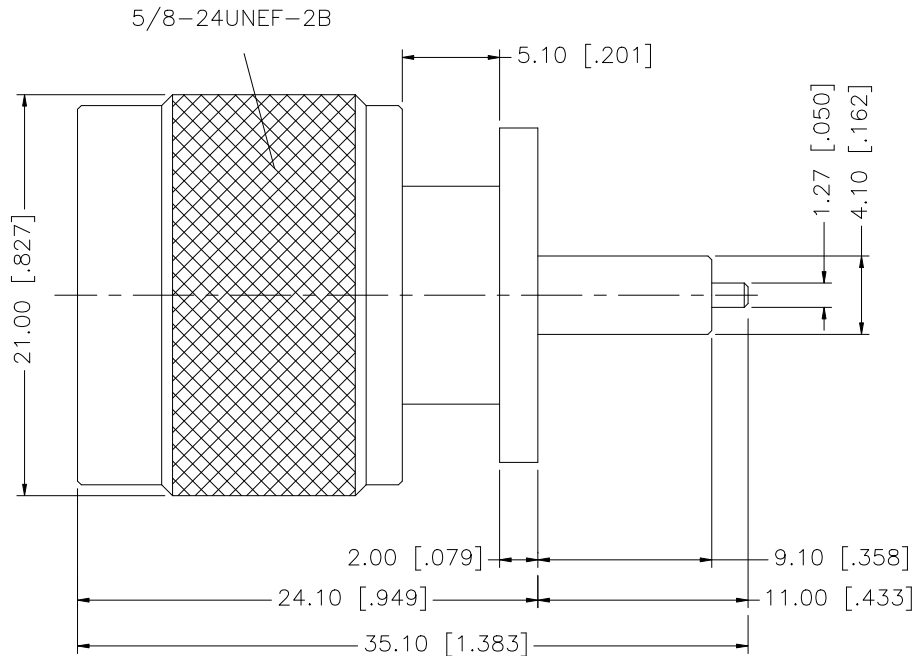


REV.	DATE	DESCRIPTION
NC	02/08/00	INITIAL RELEASE
A	11/02/06	UPDATE DRAWING FORMAT
B	01/31/08	REVISE BODY PLATING TO NEXCOTE



8				
7				
6				
5				
4	GASKET	SILICONE	RED	1
3	CONTACT PIN	BRASS	GOLD	1
2	INSULATOR	TEFLON	NATURAL	1
1	BODY	BRASS	NEXCOTE	1
	DESCRIPTION	MATERIAL	FINISH	QTY

UNLESS OTHERWISE SPECIFIED DIMENSIONS ARE IN MILLIMETERS. DIMENSIONS IN [] ARE IN INCHES AND FOR CUSTOMER REFERENCE ONLY.

UNLESS OTHERWISE SPECIFIED TOLERANCES FOR MILLIMETERS ARE:
0.5 - 8mm ± 0.20mm
8 - 30mm ± 0.40mm
30 - 120mm ± 0.50mm

UNLESS OTHERWISE SPECIFIED TOLERANCES FOR INCHES ARE:
.020 - .315 = ± 0.007"
.315 - 1.180 = ± 0.015"
1.180 - 4.724 = ± 0.020"

DO NOT SCALE DRAWING

APPROVALS	DATE
DRAWN G.R.S.	01/31/08
CHECKED	
ISSUED	
SHEET 1 OF 1	
CAD FILE	C:/172/172260.DWG

Amphenol Connex			
PART DESCRIPTION N PANEL RECEPTACLE PLUG			
PART NO. 172260			
DWG. NO.	172260.DWG	REV.	B
SIZE	A	SCALE	NA