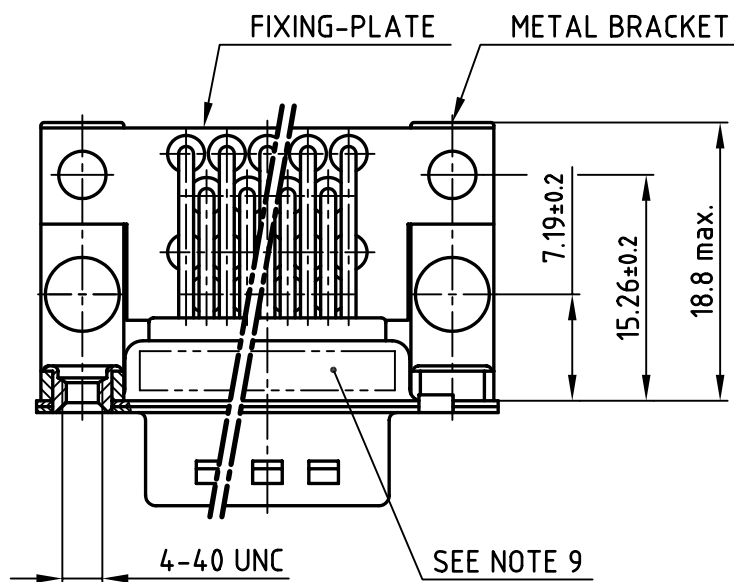
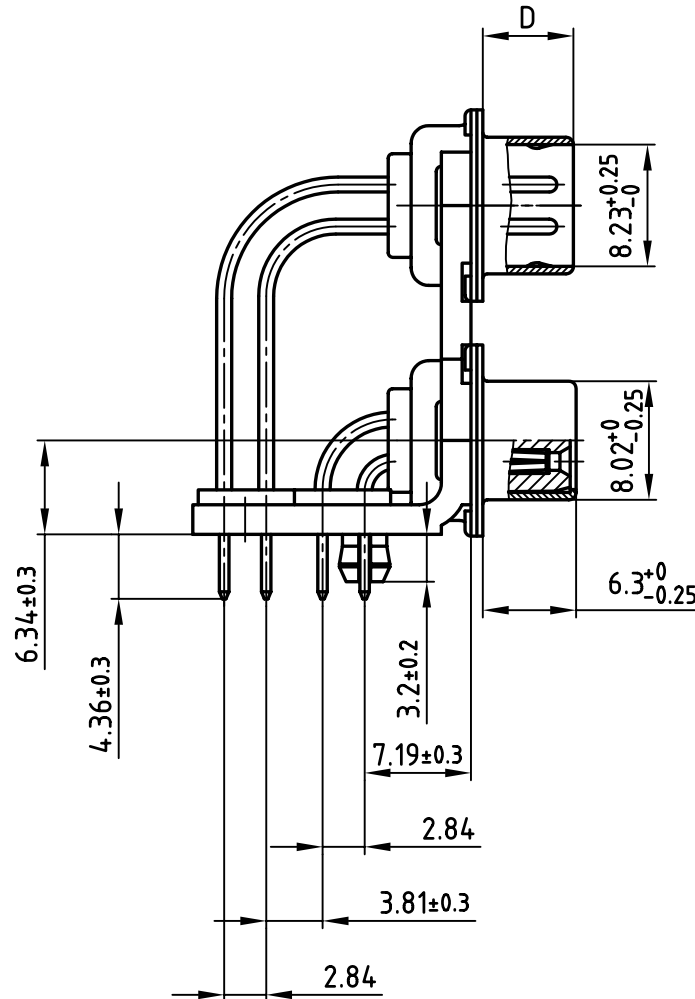
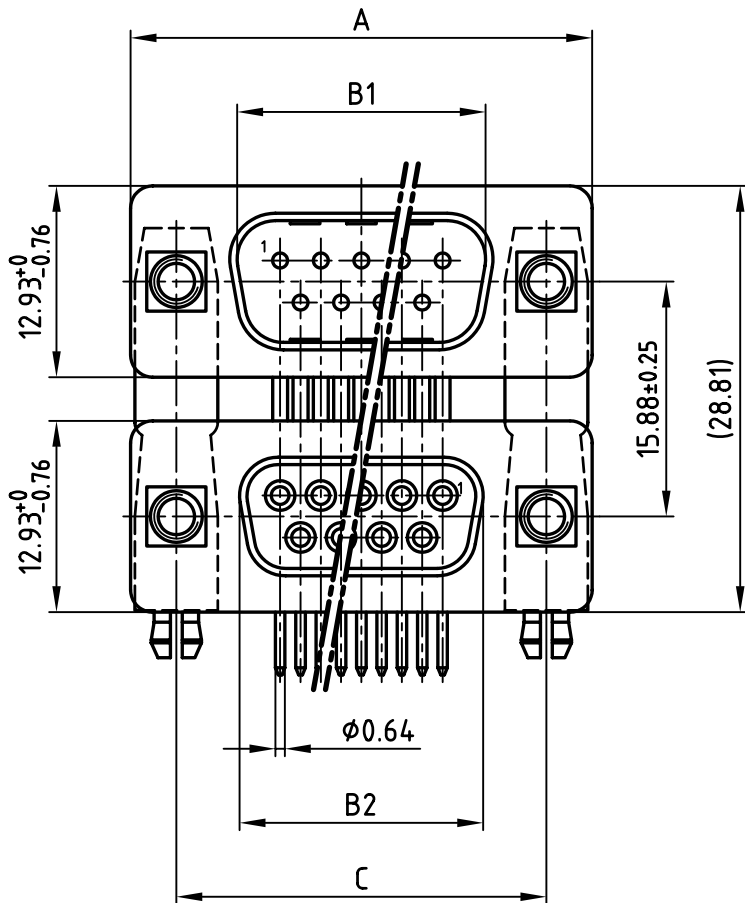


used for: D-SUB Dual Port

POS.	A ^{-0.76}	B1 ^{+0.25}	B2 ^{-0.25}	C	D ^{-0.3}	PART-NO.
2x 9	31.19	16.79	16.46	25.00 ^{+0.12} _{-0.13}	6.12	163A20009X
2x15	39.52	25.12	24.79	33.30 ^{+0.15} _{-0.1}	6.12	163A20019X
2x25	53.42	38.84	38.50	47.04 ^{±0.13}	5.99	163A20029X
2x37	69.70	55.30	54.96	63.50 ^{±0.13}	5.99	163A20039X



NOTES:

- METALSHELLS: STEEL; min. 320µ" TIN
- INSULATORS: PBT GF UL 94 V-0, BLACK
- CONTACTS: COPPER ALLOY
PLATING: 8µ" HARD GOLD OVER min. 50µ" NICKEL
- METAL BRACKET: STEEL; min. 320µ" TIN over 80µ" NICKEL
- THREADED INSERT: COPPER ALLOY; min. 200µ" TIN over 80µ" NICKEL
- FIXING-PLATE: PBT GF UL 94 V-0, BLACK
- P.C.B. HOLE DRILLINGS ON SHEET 2 + 3
- MAXIMUM TORQUE VALUE FOR THREAD: 6" LBS
- CONNECTOR IS PART MARKED: PART-NO. CONEC ABC

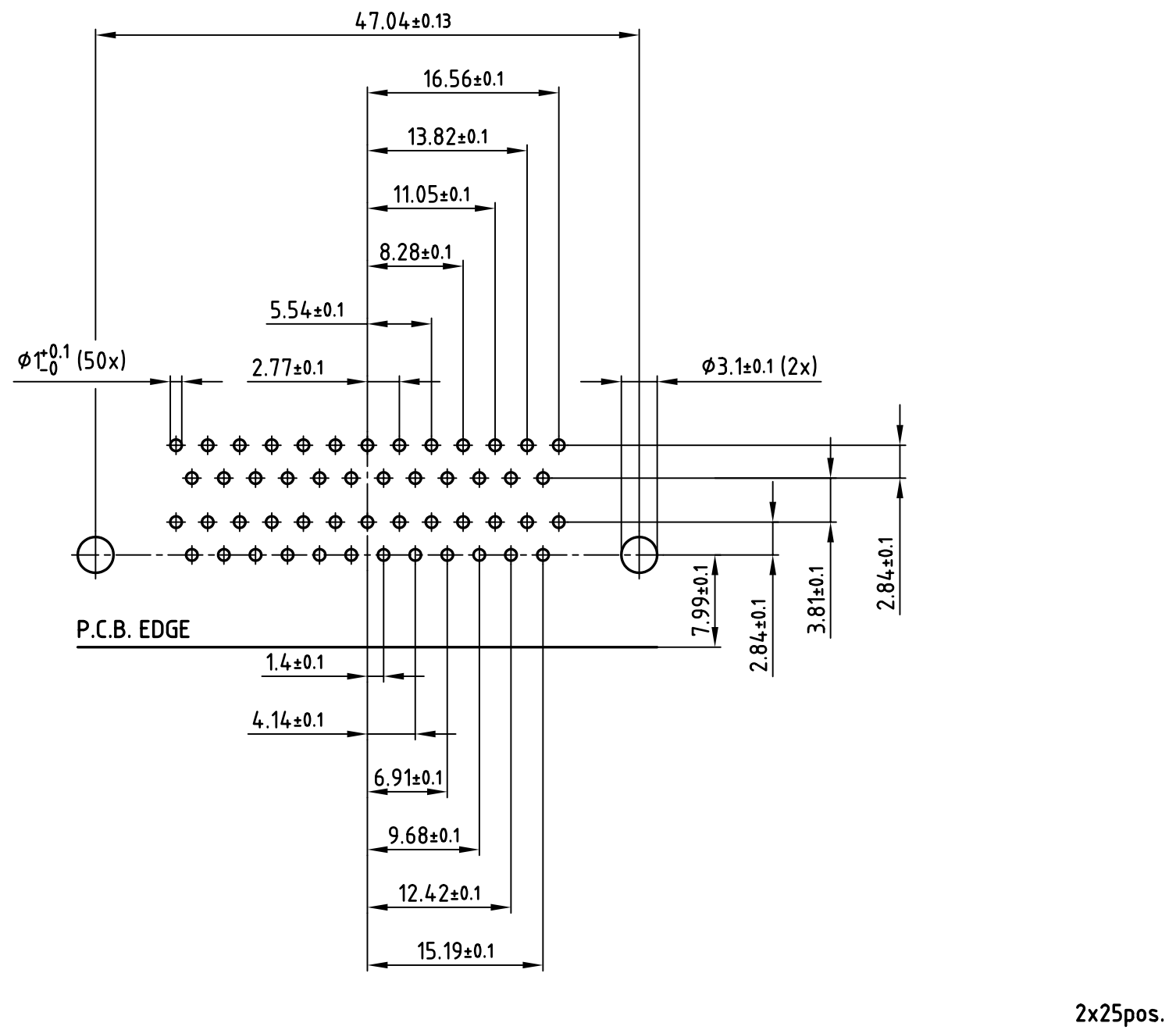
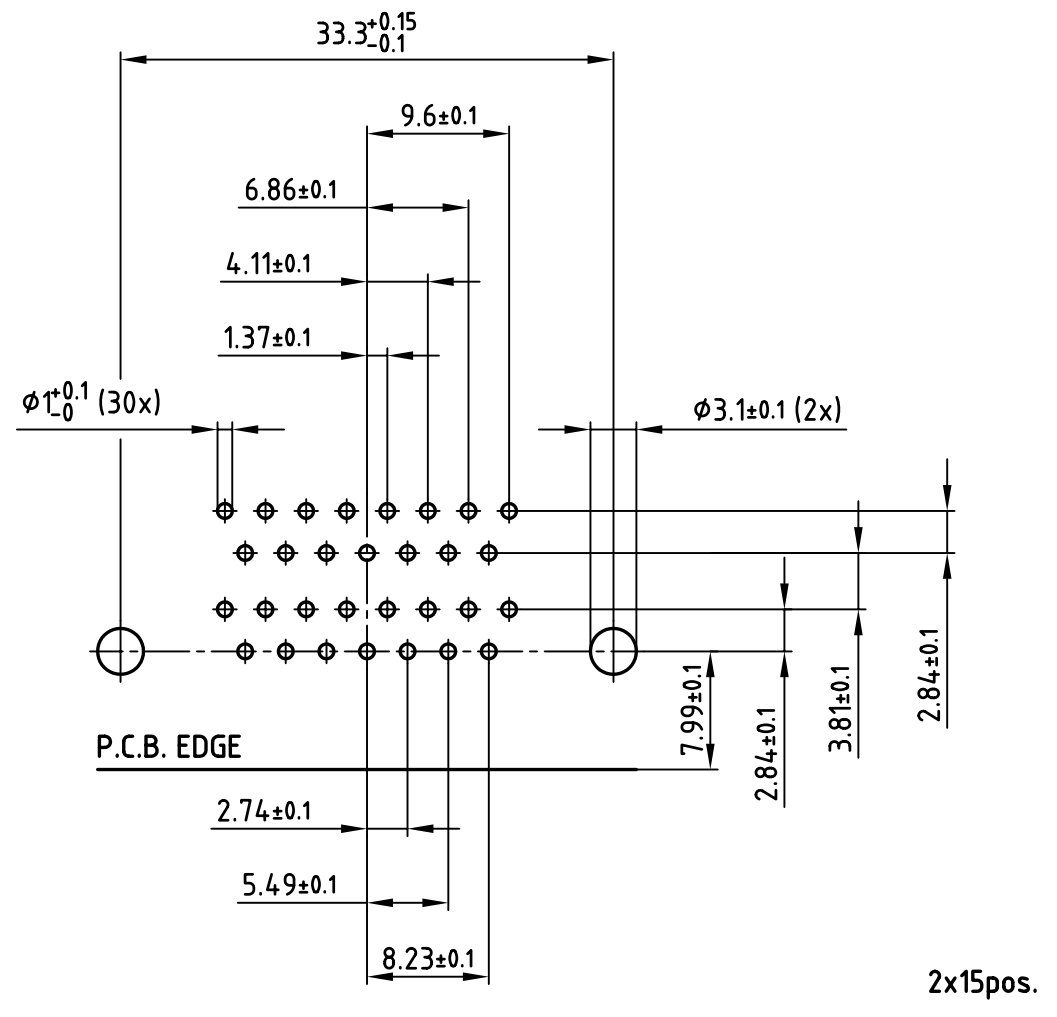
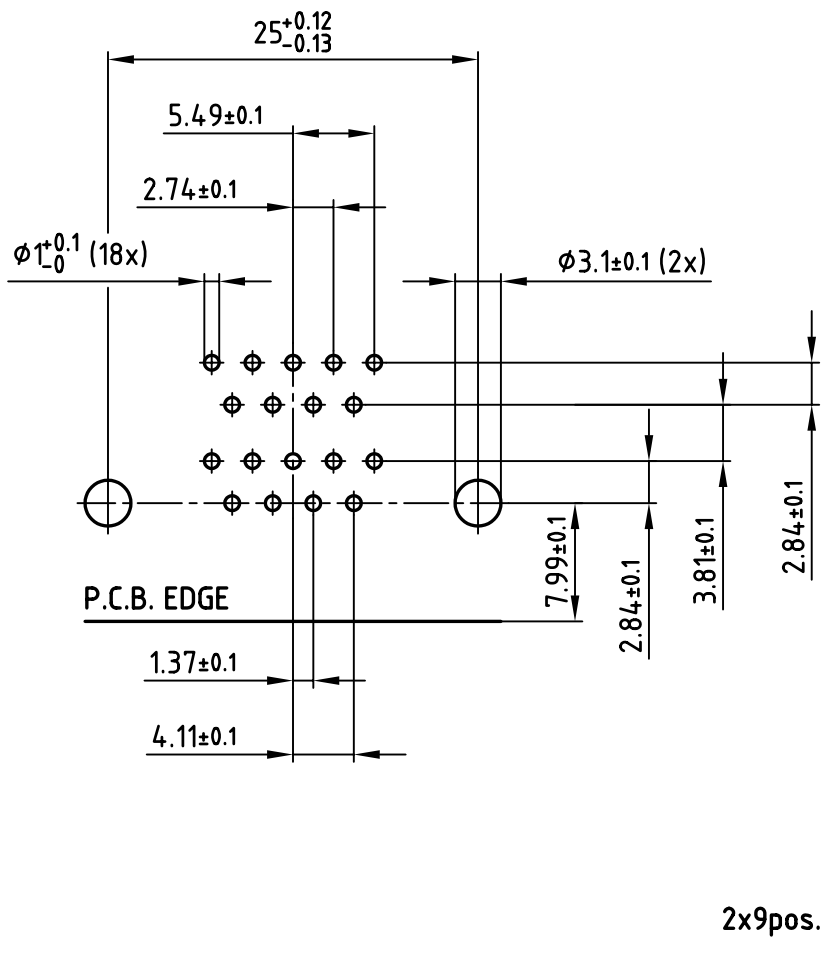


APPROVAL # FREIGABE # DEBLOCAGE # AUTORIZACION # APPROVAL	
CUSTOMER APPROVAL DATE:	
NAME:	TITLE:
COMPANY NAME:	
APPROVAL # FREIGABE # DEBLOCAGE # AUTORIZACION # APPROVAL	

THIS DRAWING MAY NOT BE COPIED OR REPRODUCED IN ANY WAY, AND MAY NOT BE PASSED ON TO A THIRD PARTY WITHOUT WRITTEN PERMISSION. OWNERSHIP AND COPYRIGHT OF CONEC GmbH		
DO NOT ALTER CAD DRAWING BY HAND		
rev.	description	date

tolerance	dim. in mm	scale:	2:1
		material:	SEE NOTES
2005	date	name	title:
drawn	21.11.	Lehmenkühler	DUAL PORT 15.88mm MALE / FEMALE 2x9pos. - 2x37pos. with threaded insert and clip
appd.	21.11.	Mickenbecker	
norm	DIN 41652		dwg no:
d-old			AutoCAD 2004
CONEC [®]			DIN-A
			3
part no:			SEE TABLE
			sh:1/3

used for: D-SUB Dual Port



APPROVAL # FREIGABE # DEBLOCAGE # AUTOR/ZACION # APPROVAL

CUSTOMER APPROVAL DATE:

NAME: TITLE:

COMPANY NAME:

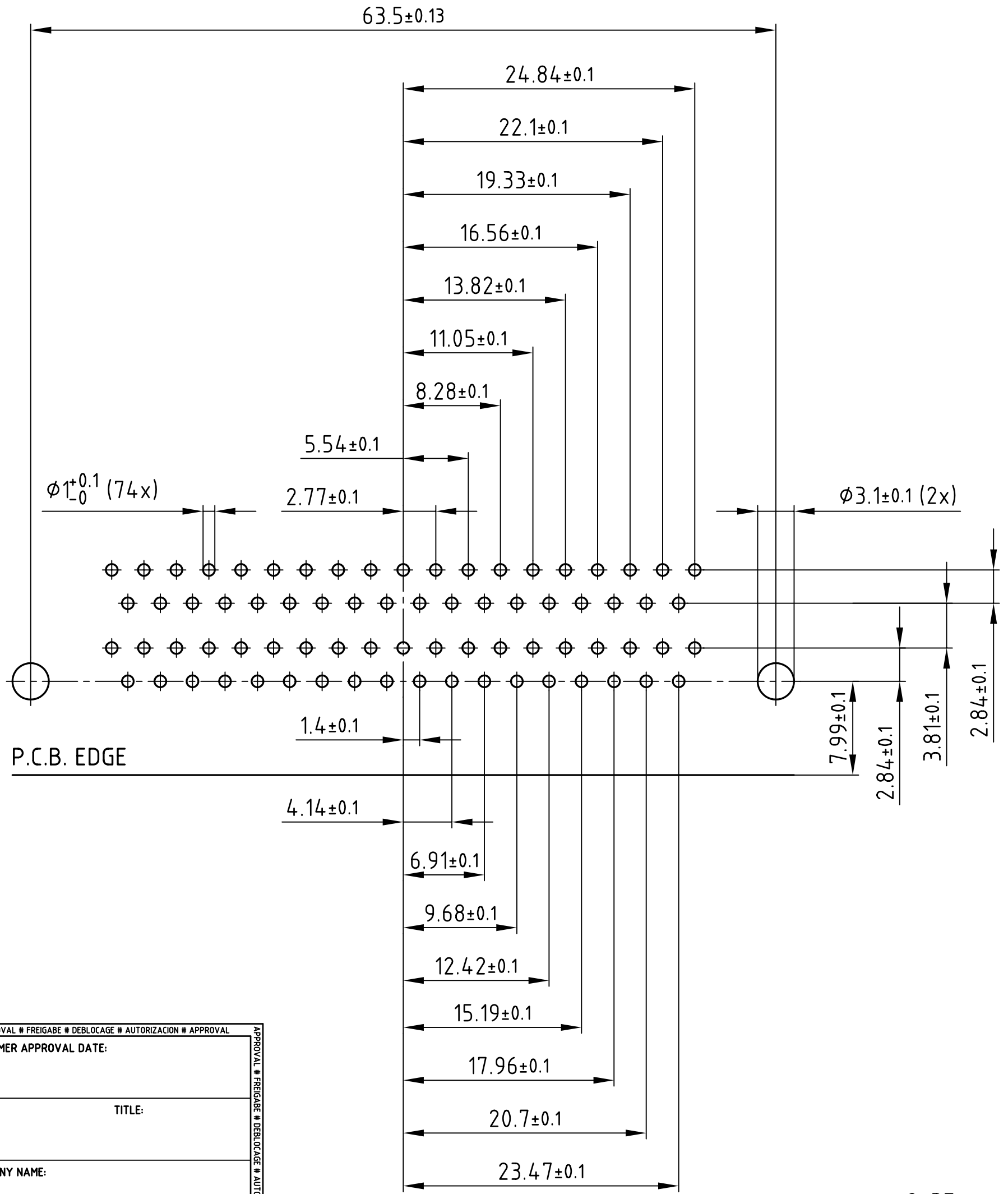
APPROVAL # FREIGABE # DEBLOCAGE # AUTOR/ZACION # APPROVAL

THIS DRAWING MAY NOT BE COPIED OR REPRODUCED IN ANY WAY, AND MAY NOT BE PASSED ON TO A THIRD PARTY WITHOUT WRITTEN PERMISSION. OWNERSHIP AND COPYRIGHT OF CONEC GmbH DO NOT ALTER CAD DRAWING BY HAND

rev.	description	date	name

tolerance	dim. in mm	scale: 2:1
2005	date	material: SEE SHEET 1
drawn	21.11.	name
appd.	21.11.	Lehmenkühler
norm	DIN 41652	
d-old	Mickenbecker	
		title: P.C.B. HOLE DRILLINGS DUAL PORT 15.88mm MALE / FEMALE with threaded insert and clip
		dwg no: AutoCAD 2004 16K2A970 part no: SEE SHEET 1
DIN-A		3
sh:2/3		

used for: D-SUB Dual Port



APPROVAL # FREIGABE # DEBLOCAGE # AUTORIZACION # APPROVAL	
CUSTOMER APPROVAL DATE:	
NAME:	TITLE:
COMPANY NAME:	
APPROVAL # FREIGABE # DEBLOCAGE # AUTORIZACION # APPROVAL	

THIS DRAWING MAY NOT BE COPIED OR REPRODUCED IN ANY WAY, AND MAY NOT BE PASSED ON TO A THIRD PARTY WITHOUT WRITTEN PERMISSION.
 OWNERSHIP AND COPYRIGHT OF CONEC GmbH
 DO NOT ALTER CAD DRAWING BY HAND

rev.	description	date	name	tolerance	dim. in mm	
		2005	date			
		drawn	21.11.		Lehmenkühler	
		appd.	21.11.		Mickenbecker	
		norm				
		d-old				



scale:	2:1	
material:	SEE SHEET 1	
title:	P.C.B. HOLE DRILLINGS DUAL PORT 15.88mm MALE / FEMALE with threaded insert and clip	
dwg no:	AutoCAD 2004	DIN-A
	16K2A970	4
		sh:3/3
part no:	SEE SHEET 1	