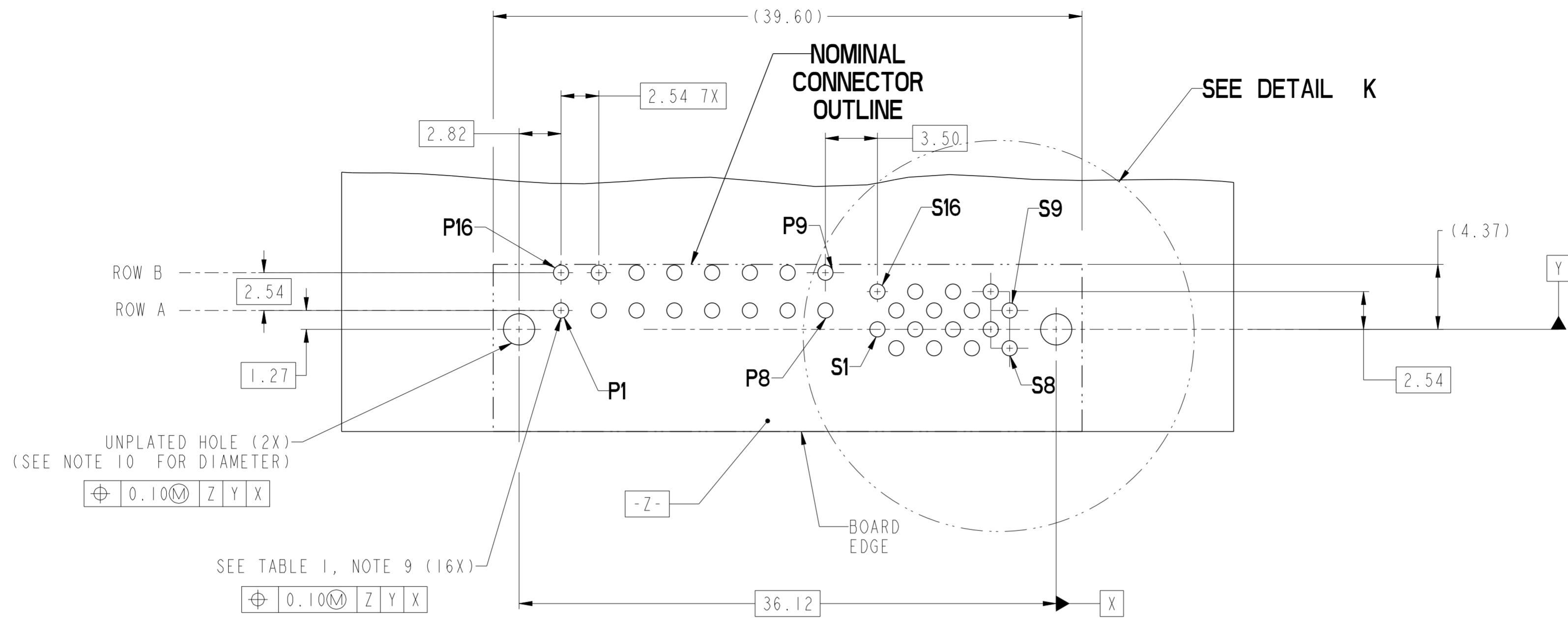


SECTION A-A

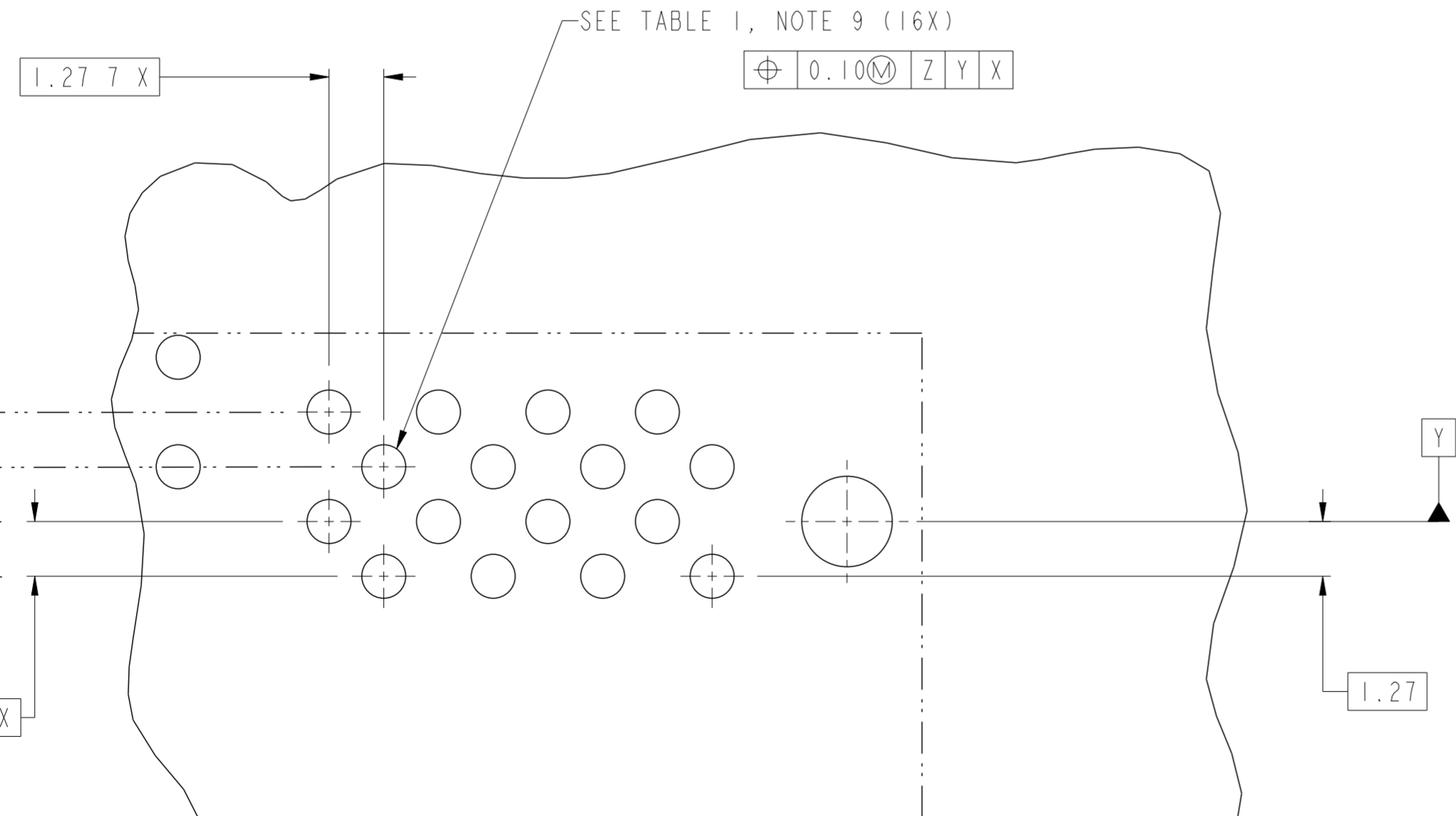
SECTION B-B

rev		ecn no	dr	date	spec ref	dr		2012/03/12	projection	MM	size	A2	scale	4:1
A	---	HZ	2011-12-22		tolerance std	eng		2012/07/16					ecn no	
-	-	-	-	-	chr		-	rel level					Released	
-	-	-	-	-	surface <input checked="" type="checkbox"/> linear <input type="checkbox"/> angular	apppr		2012/07/16	product family		-		-	
-	-	-	-			title RIGHT ANGLE 16P16S HIGH POWER CARD EDGE		cat. no.		Product - Customer Drw		sheet 1 of 4		
-	-	-	-	linear 0.X ±0.30 0.XX ±0.10 0.XXX ±0.05		www.fci.com		title		10119843		rev A		
-	-	-	-	angular 0° ±2°		PDS: Rev :A		STATUS:Released		Printed: Jul 16, 2012				

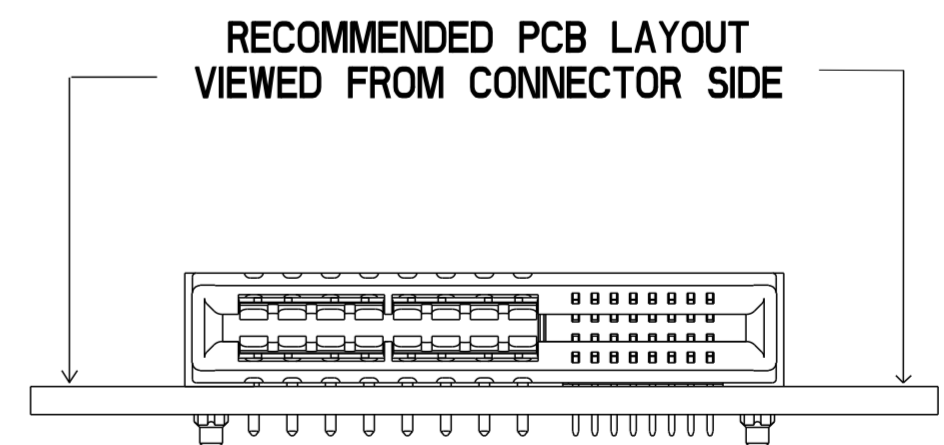


UNPLATED HOLE (2X)
(SEE NOTE 10 FOR DIAMETER)

SEE TABLE 1, NOTE 9 (16X)



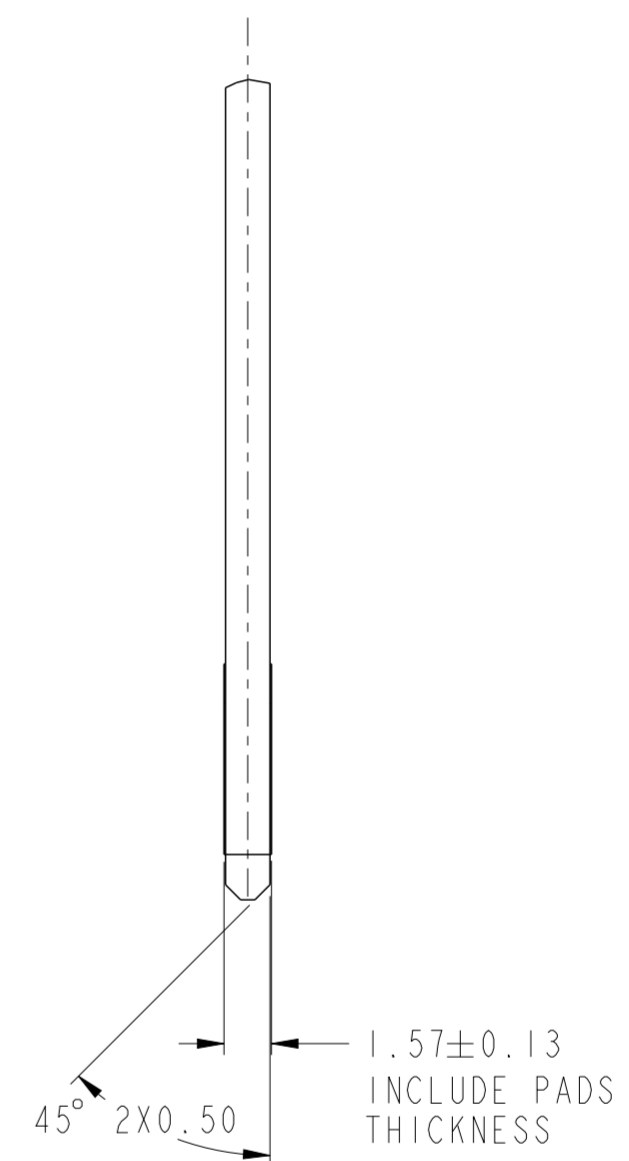
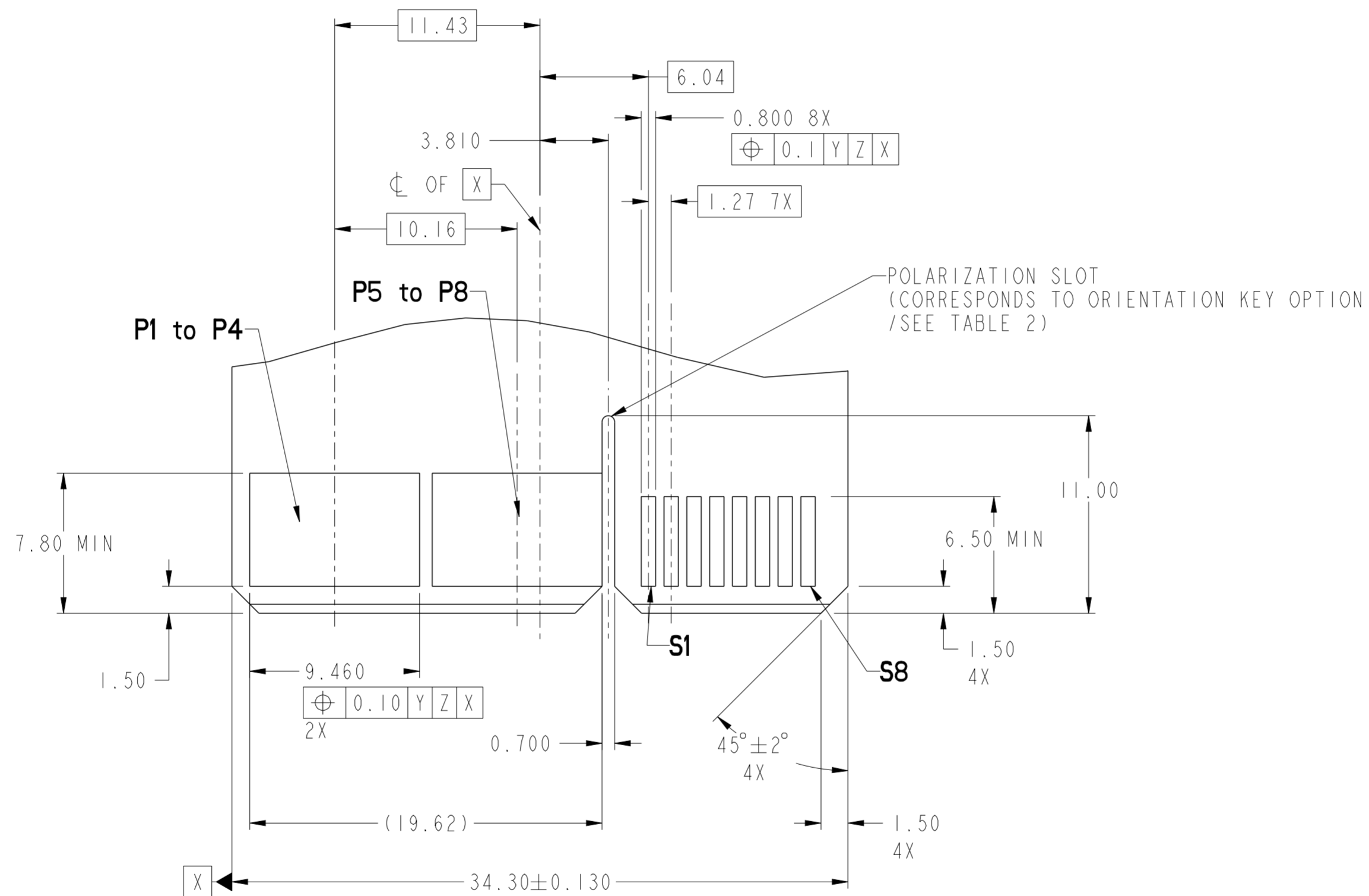
DETAIL K
SCALE 8:1



dr	Wei-Long Zhang	2012/03/12	projection	MM	size	A2	scale	4:1
eng	Wei-Long Zhang	2012/07/16			ecn no	-	rel level	Released
chr	-	-						
appr	Pai-Ming Zheng	2012/07/16	product family	-	rel level	-	rel level	Released
			title RIGHT ANGLE 16P16S HIGH POWER CARD EDGE			dwg no 10119843		rev A
www.fci.com			cat. no.			Product - Customer Drw		

Copyright FCI. FCI

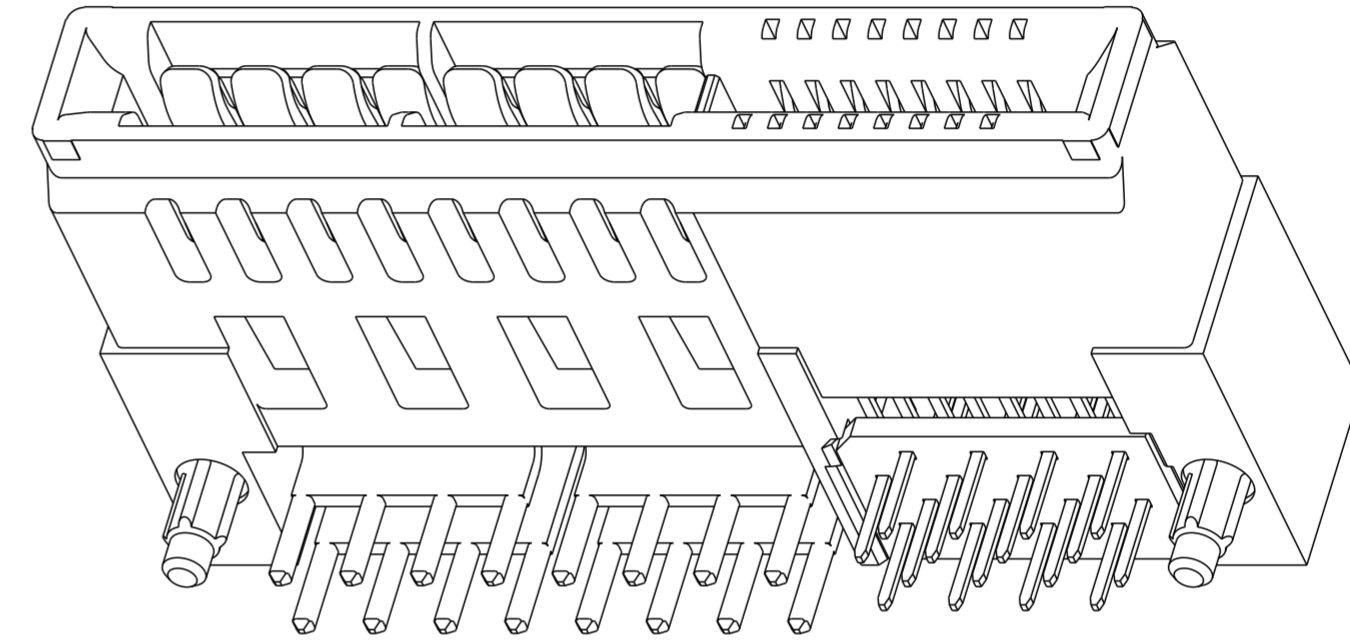
CONTACT TYPE	TOP LAYER DESCRIPTION	TABLE 1 (HPCE / SOLDER TAILS) PLATED THROUGH-HOLE REQUIREMENTS				
		DRILLED HOLE DIAMETER	COPPER THICKNESS	TIN-LEAD THICKNESS	TIN THICKNESS	FINISHED HOLE DIAMETER
POWER & SIGNAL	TIN-LEAD	1.10-1.16 (1.15 DRILL)	0.025 - 0.050	0.005 - 0.015	--	0.94 - 1.10
	IMMERSION TIN	1.10-1.16 (1.15 DRILL)	0.025 - 0.050	--	0.9 - 1.5um	0.94 - 1.10
	COPPER (SEE NOTE 8)	1.10-1.16 (1.15 DRILL)	0.025 - 0.050	--	--	0.94 - 1.10



RECOMMENDED MATING BOARD FOOTPRINT

dr	Wei-Long Zhang	2012/03/12	projection	MM	size	A2	scale	4:1
eng	Wei-Long Zhang	2012/07/16			ecn no	-	rel level	Released
chr	-	-			cat. no.	-		
appr	Pei-Ming Zheng	2012/07/16	product family	-	rel level	-	cat. no.	-
			RIGHT ANGLE 16P16S HIGH POWER CARD EDGE			dwg no 10119843		rev A

HPCE PART NUMBER (TABLE 2)					
10117877	TAIL TYPE	HOLD-DOWN OPTION	ORIENTATION KEY	DIM "A" TYPICAL TAIL LENGTH	
10119843-001LF	SOLDER TAIL	NO	YES	3.25±0.25	
10119843-002LF			NO		
10119843-003LF		YES	YES		
10119843-004LF			NO		
10119843-005LF		NO	YES		4.05±0.25
10119843-006LF			NO		
10119843-007LF		YES	YES		
10119843-008LF			NO		
10119843-009LF		NO	YES	4.85±0.25	
10119843-010LF			NO		
10119843-011LF		YES	YES		
10119843-012LF			NO		



NOTES:

1. CONNECTOR MATERIALS:
 - HOUSING: HIGH TEMPERATURE THERMAL PLASTIC, BLACK
UL 94V-0 COMPLIANT
 - CONTACTS: HIGH PERFORMANCE COPPER ALLOY.
2. CONTACT FINISH REF. GS-12-604 SECTION 5.2.
3. PRODUCT SPECIFICATION: GS-12-604.
4. APPLICATION SPECIFICATION: GS-20-128).
5. PRODUCT MARKING (FCI - PART NUMBER & DATE CODE) ON HOUSING IN AREA SHOWN.
6. PACKAGING MEETS FCI SPECIFICATION GS-14-937.
7. HOUSING COMPONENT WILL WITHSTAND EXPOSURE TO 260°C PEAK TEMPERATURE FOR 60 SECONDS IN A CONVECTION, INFRA-RED, OR VAPOR PHASE REFLOW OVEN.
8. COPPER PLATING THICKNESS IN CENTER OF VIA-HOLE CAN BE NO MORE THAN 0.003 LESS THAN OTHER AREAS.
9. ALL HOLE SIZES ARE FINISHED HOLE SIZES.
10. MOUNTING HOLES ARE UNPLATED
Ø 2.25 +/- 0.05 FOR SOLDER TAILS

dr	Wei-Long Zhang	2012/03/12	projection	MM	size	A2	scale	4:1
eng	Wei-Long Zhang	2012/07/16			ecn no	-		
chr	-	-			rel level	Released		
appr	Pei-Ming Zheng	2012/07/16	product family	-				
		title RIGHT ANGLE 16P16S HIGH POWER CARD EDGE		dwg no 10119843	rev A			
www.fci.com		cat. no.	-		Product - Customer Drw		sheet 4 of 4	