

DETAILS

Product Number	CA12393_LR2-W
Family	Leila
Type	Assembly
Color	white
Diameter	21,6 mm
Height	14,3 mm
Style	round
Optic Material	PMMA
Holder Material	
Fastening	tape, pin
Status	production ready
ROHS Compliant	Yes
Date Updated	22/11/2013

OPTICAL PROPERTIES

LED	Viewing Angle	Light Beam	Efficiency	cd/lm	Connector
LUXEON Rebel	sim: 44	Wide	-	1.200	-
NCSxx19B	43 deg	Wide	89 %	1.700	-



D

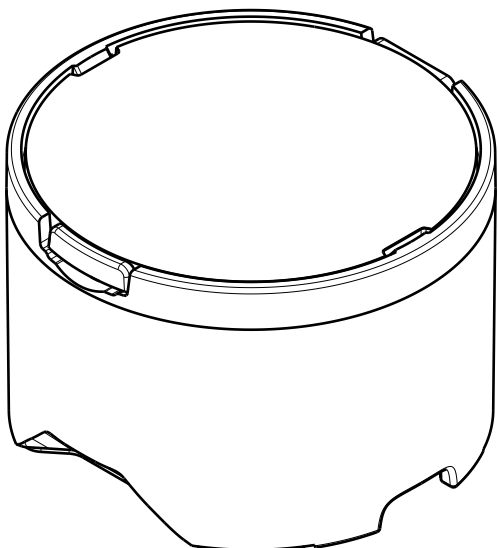
C

B

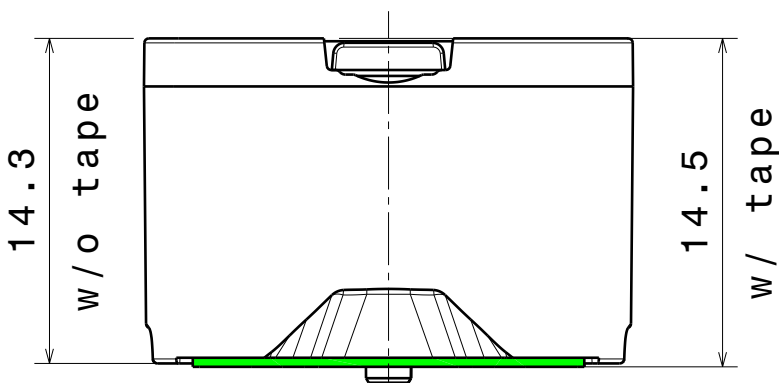
A

4

4



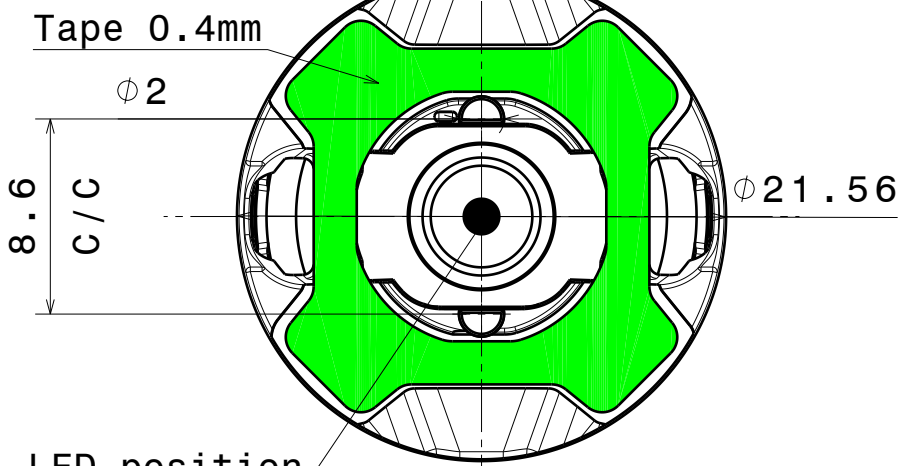
Isometric view
Scale: 3:1



Front view
Scale: 3:1

3

3



Bottom view
Scale: 3:1

2

2

Tolerances if not otherwise shown
According to DIN ISO 2768-1
Linear measures:
Up to 30mm class M, otherwise class C.
According to DIN ISO 2768-2
Form and position: class L

LEDiL Ledil Oy
Salorankatu 10
FIN 24240 SALO
Finland

THIRD ANGLE PROJECTION:

DRAWING TITLE
Leila_LR2-W

This drawing is the property
of LEDiL Oy. It may not be
reproduced, copied or
communicated without a written
agreement with LEDiL Oy."

SIZE	PART NUMBER
A4	-

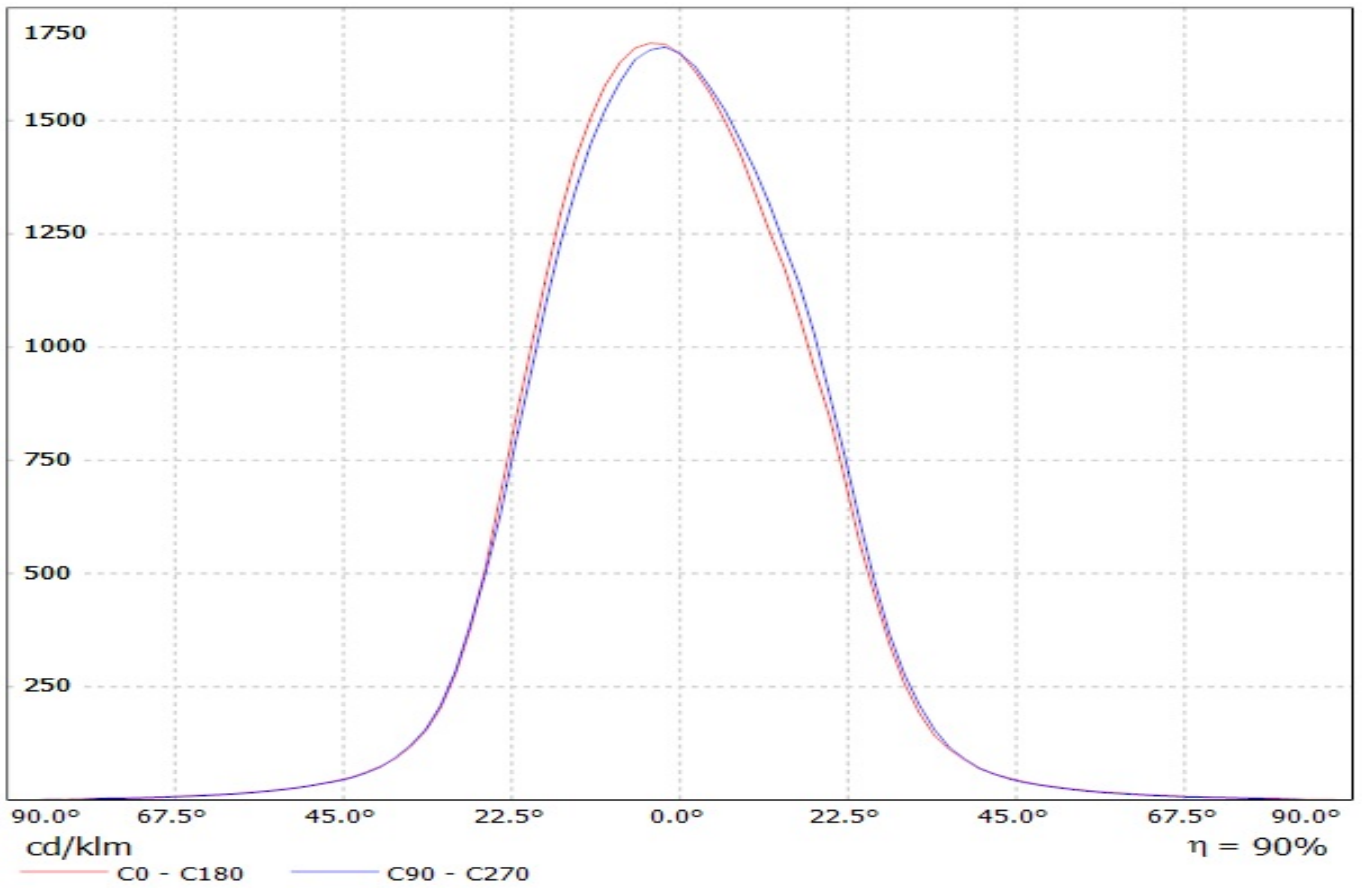
SCALE	3:1	WEIGHT	-	SHEET	1/1
-------	-----	--------	---	-------	-----

D

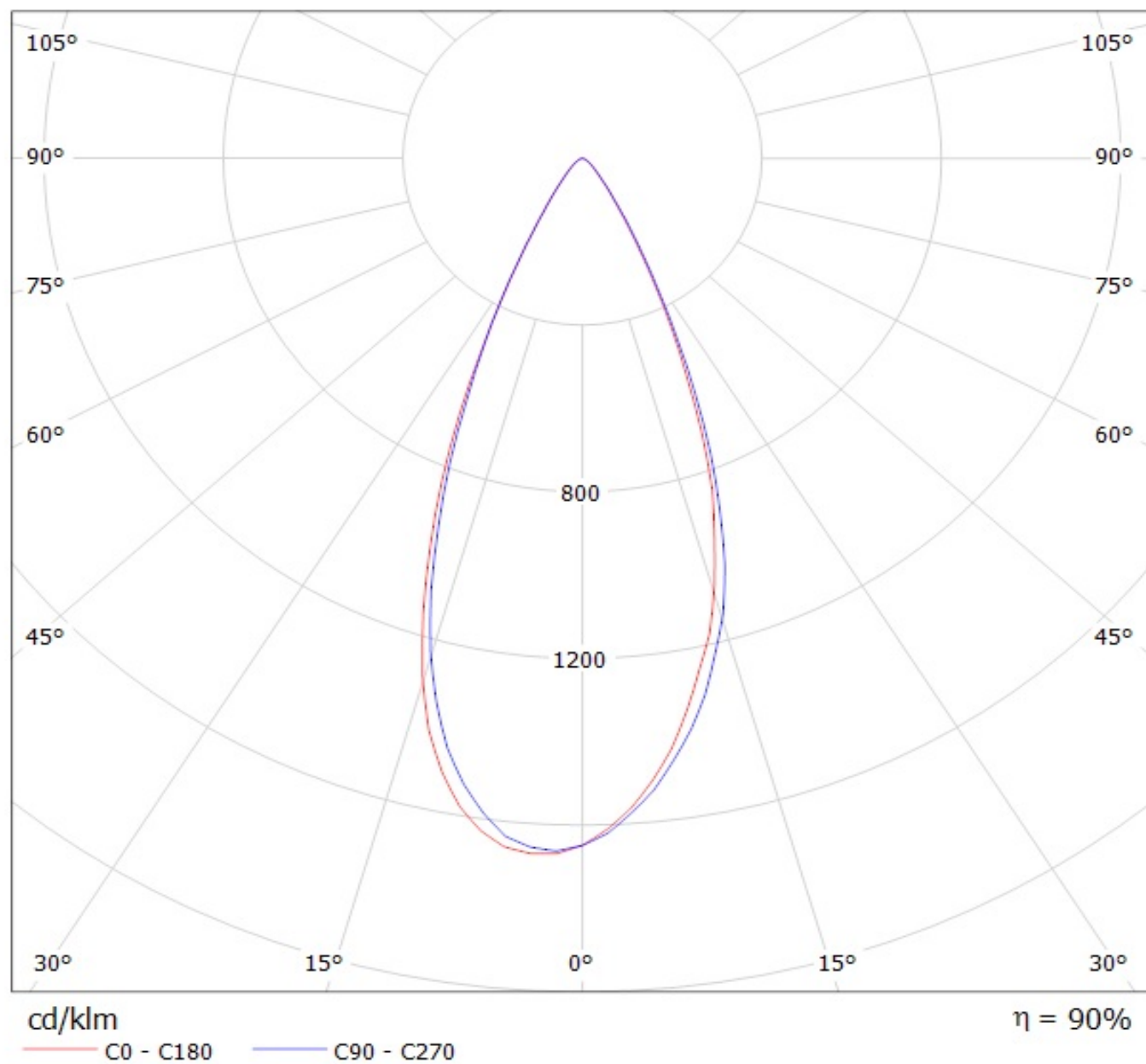
A

1

Luminaire: LEDil Oy CA12393_LR2-W_(NCSxx19B) Efficiency=89%
Lamps: 1 x Nichia NCSxx19B (NCSL119BE) 90.5lm @ 250mA CCT=3300K P=0.8W I=250mA



Luminaire: LEDil Oy CA12393_LR2-W_(NCSxx19B) Efficiency=89%
Lamps: 1 x Nichia NCSxx19B (NCSL119BE) 90.5lm @ 250mA CCT=3300K P=0.8W I=250mA



NOTE: The typical divergence will be changed by different color, chip size and chip position tolerance. The typical total divergence is the full angle measured where the luminous intensity is half of the peak value.