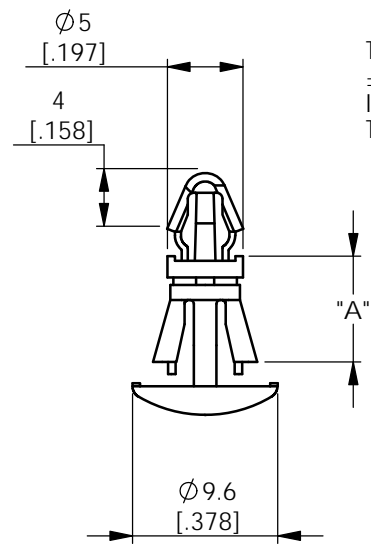
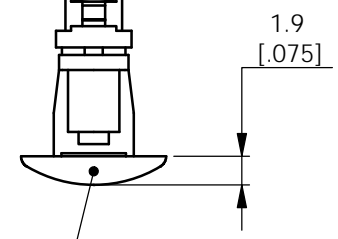


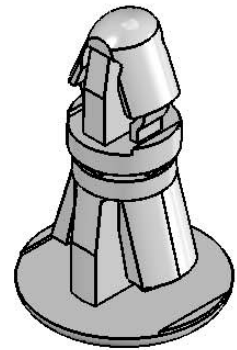
REV.	MODIFICATION.	DATE	DRN
02	CO2010472	12/11/08	OW
03	CO2010545	09/02/09	SF
04	CO2010677	09/06/09	SF
05	CO2010971	04/08/10	SF
06	CO2011253	12/04/12	SF
07	CO2011281	09/08/12	SF



TO SNAP LOCK INTO A Ø4 ±0.08 [.158 ±.003] HOLE, INTO A 1.6 [.063] NOM THICK PANEL.



TO SNAP LOCK INTO A Ø5.4 ±0.08 [.213 ±.003] HOLE, INTO A 1.6 [.063] NOM THICK PANEL FOR RLCBSK & 2 [.078] NOM THICK PANEL FOR RLCBSK-2



NOTES:

- PARTS AVAILABLE IN BLACK BY SPECIALORDER ADD BK TO END OF PART NUMBER. E.G. RLCBSK-6-01BK
- RLCBSK & RLCBSK2 SERIES AVAILABLE BY SPECIAL ORDER IN THE NAFTA REGION
- AVAILABLE IN PA 6(RMS-078) VERSION BY SPECIAL ORDER ADD "-078" TO END OF PART NUMBER.
EXAMPLE:"RLCBSK-8-78".
- AVAILABLE IN NYLON 4/6 HEAT STABILIZED(RMS-109) VERSION BY SPECIAL ORDER ADD "-109" TO END OF PART NUMBER.
EXAMPLE:"RLCBSK-8-109".

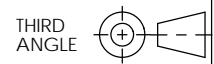
ALTERNATE UNITS FOR REFERENCE ONLY

MATERIAL: NYLON 6/6 UL94 V-2(RMS-01)	MATERIAL: NYLON 6/6 UL94 V-0(RMS-19)	"A" DIMENSION
RLCBSK-6-01	RLCBSK-6-19	6[.236]
RLCBSK-2-6-01	RLCBSK-2-6-19	
RLCBSK-7-01	RLCBSK-7-19	7[.276]
RLCBSK-2-7-01	RLCBSK-2-7-19	
RLCBSK-8-01	RLCBSK-8-19	8[.315]
RLCBSK-2-8-01	RLCBSK-2-8-19	
RLCBSK-10-01	RLCBSK-10-19	10[.394]
RLCBSK2-10-01	RLCBSK2-10-19	
RLCBSK-12-01	RLCBSK-12-19	12[.472]
RLCBSK-2-12-01	RLCBSK-2-12-19	
RLCBSK-14-01	RLCBSK-14-19	14[.551]
RLCBSK2-14-01	RLCBSK2-14-19	
RLCBSK-16-01	RLCBSK-16-19	16[.629]
RLCBSK-2-16-01	RLCBSK-2-16-19	

INFORMATION CONTAINED IN THIS DOCUMENT IS CONFIDENTIAL TO RICHCO INTERNATIONAL Co. Ltd. AND MAY NOT BE DISCLOSED OR REPRODUCED IN WHOLE OR PART WITHOUT THEIR WRITTEN CONSENT.

RICHCO, INC.
WWW.RICHCO-INC.COM

GENERAL TOLERANCES ±0.25 [.010]
UNLESS OTHERWISE STATED
ANGULAR ±1°



MATERIAL: SEE TABLE & NOTES
COLOUR: NATURAL

DESCRIPTION: REVERSE LOCKING CIRCUIT BOARD SUPPORT
PART No: See Table

DRG No: 08-110
NPR No: NA
SHEET SIZE A4

DRN OW	DATE 12/11/08	CHKD TC	DATE 12/11/08	SCALE NTS	SHEET No. 1 OF 1
-----------	------------------	------------	------------------	--------------	---------------------