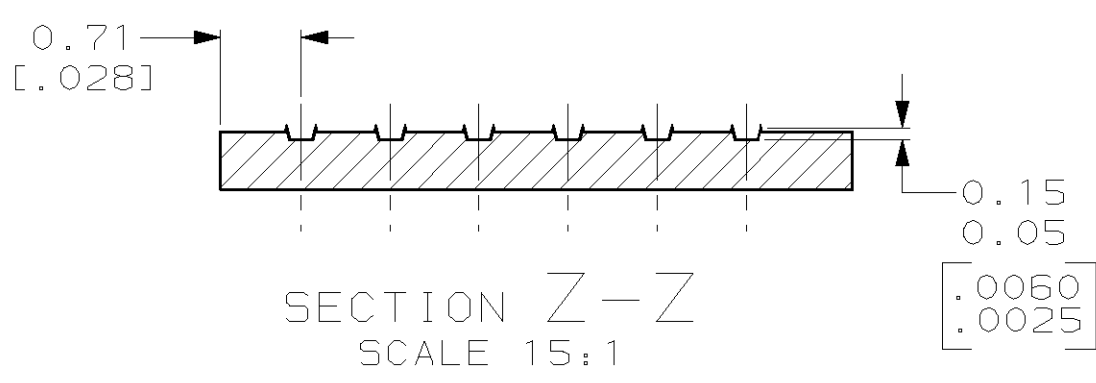
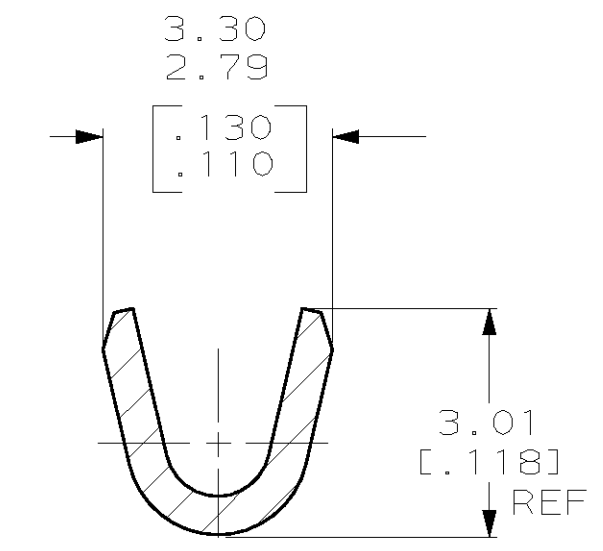
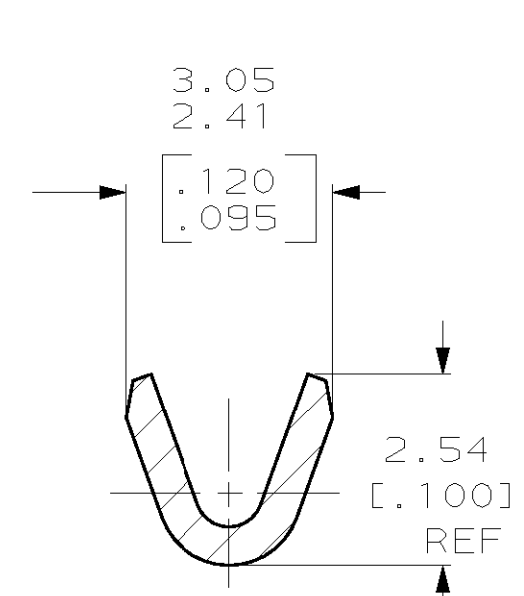
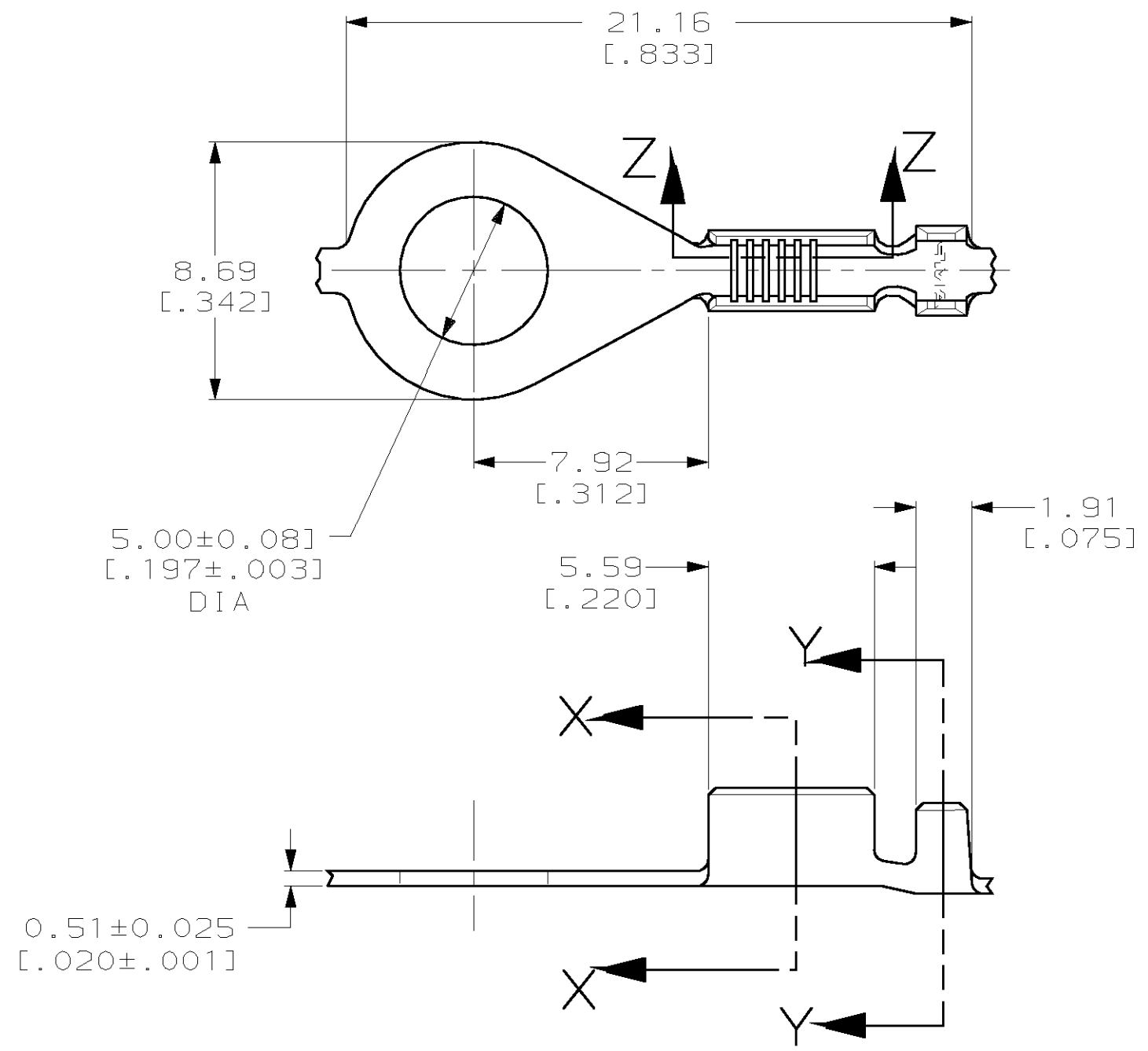


THIS DRAWING IS UNPUBLISHED. RELEASED FOR PUBLICATION .19 .
 © COPYRIGHT 19 BY AMP INCORPORATED. ALL RIGHTS RESERVED.

LOC	DIST	REVISIONS			
P	LTR	DESCRIPTION	DATE	DWN	APVD
AF	50	C	REDRAWN PER 0G3A-0088-99	06AUG99	JR DD

- 1 CONTINUOUS STRIP ON REELS WITH TERMINALS LOCATED ON 22.94 [.903] CENTERS.
- 2 WIRE SIZE IS [#29-#22] MAGNET WIRE
- 3 INSULATION RANGE IS 1.02-1.52 [.040-.060]. DIA



63399-1
 PART NO.

THIS DRAWING IS A CONTROLLED DOCUMENT.		DWN JR RUTH 06AUG99	AMP AMP Incorporated Harrisburg, PA 17105-3608
DIMENSIONS: MM [INCHES]		CHK MS FEHER 06AUG99	
TOLERANCES UNLESS OTHERWISE SPECIFIED:		APVD D DECKER 06AUG99	NAME
0 PLC ±- 1 PLC ±- 2 PLC ±0.25 [.010] 3 PLC ±- 4 PLC ±- ANGLES ±-		PRODUCT SPEC -	RING, AMPLIVAR, 6 SERRATION
MATERIAL 082 BRASS		APPLICATION SPEC -	SIZE CAGE CODE DRAWING NO RESTRICTED TO
FINISH 0.002032 [.000080] MIN TIN		WEIGHT -	A3 00779 C- 63399
CUSTOMER DRAWING			SCALE 5:1 SHEET 1 OF 1 REV C