

Ultra Low Jitter SMD Crystal Oscillator

ASG-ULJ



RoHS
Compliant



7.0 x 5.0 x 1.5 mm

Moisture Sensitivity Level (MSL) – 1

FEATURES:

- Ultra low phase Jitter: 0.2ps max integrated 12 kHz to 20 MHz BW
- ± 50 ppm total frequency stability over -40°C to $+85^{\circ}\text{C}$ temperature range
- Output type: LVC MOS, LVPECL, LVDS
- Industry standard ceramic SMD package: 7.0 x 5.0 mm

APPLICATIONS:

- Fiber Channel 10G/12G SERDES
- 10/40/400 Gigabit Ethernet
- PCI-Express
- Storage
- Communications
- Backplane reference clock
- FPGA

STANDARD SPECIFICATIONS:

Key Electrical Specifications

Parameters	Minimum	Typical	Maximum	Units	Notes	
Operating Temperature	-40		+85	$^{\circ}\text{C}$		
Storage Temperature	-55		+125	$^{\circ}\text{C}$		
Overall Frequency Stability	-50		+50	ppm	<i>See Note # 1</i>	
Initial Tolerance + Stability over operating temperature	-35.00		+35.00	ppm		
Supply Voltage (V _{dd})	V _{dd} = 3.3V	3.135	3.300	3.465	V	
	V _{dd} = 2.5V	2.375	2.500	2.625	V	
Enable/Disable Function :	"1" (V _{IH} \geq 0.7*V _{dd}) or Open: Oscillation "0" (V _{IL} $<$ 0.3*V _{dd}) : High Z					
Phase jitter RMS (12kHz to 20MHz BW)			0.2	ps	at 25 $^{\circ}\text{C}$	

Note #1: Inclusive of initial tolerance at 25 $^{\circ}\text{C} \pm 3^{\circ}\text{C}$, operating temperature range, input voltage variation, load variation & 10 years aging at 25 $^{\circ}\text{C}$.

Key Electrical Specifications – LVC MOS

Parameters	Minimum	Typical	Maximum	Units	Notes
Frequency Range	1		200	MHz	
Supply Current (I _{dd})			40	mA	
Output Logic Level	V _{OH}	0.9*V _{dd}		V	I = ± 6 mA
	V _{OL}		0.1*V _{dd}	V	
Rise Time			3	ns	10% to 90%
Fall Time			3	ns	
Duty Cycle	45	50	55	%	
Output Load			15	pF	

Key Electrical Specifications – LVDS

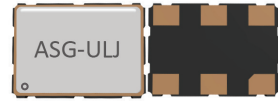
Parameters	Minimum	Typical	Maximum	Units	Notes
Frequency Range	1		705.8	MHz	
Supply Current (I _{dd})			80	mA	Freq. dependent
Differential Output Voltage Swing		350		mV	
Duty Cycle	45		55	%	@1.25V
Rise Time			0.6	ns	RL=100 Ω /CL=10pF
Fall Time			0.6		

Ultra Low Jitter SMD Crystal Oscillator

ASG-ULJ



RoHS
Compliant



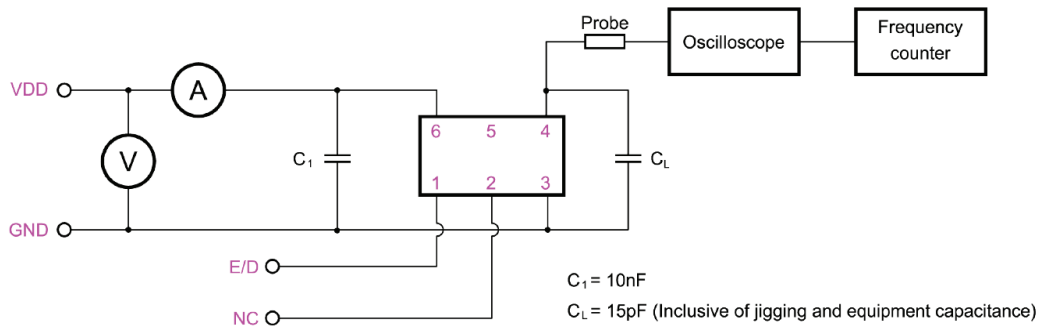
7.0 x 5.0 x 1.5 mm

Key Electrical Specifications – LVPECL

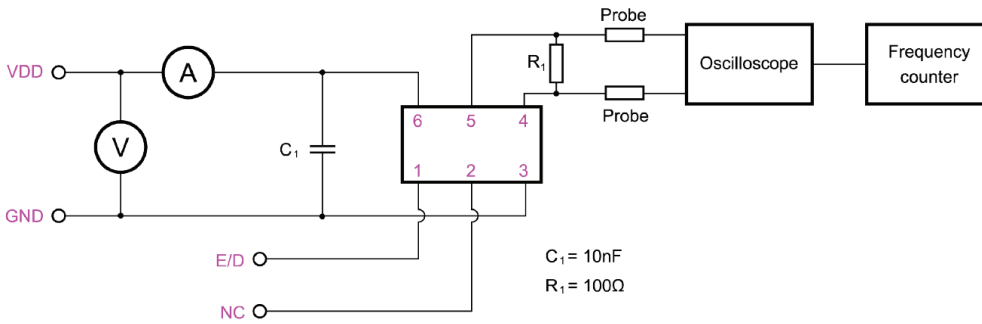
Parameters	Minimum	Typical	Maximum	Units	Notes
Frequency Range	1		705.8	MHz	
Supply Current (I_{dd})			120	mA	Freq. dependent
Output Logic Level	V_{OH}	$V_{dd} - 1.03$		V	50Ω nominal load
	V_{OL}		$V_{dd} - 1.6$	V	
Duty Cycle	45		55	%	@V _{dd} -1.3V
Rise Time	T_r		0.6	ns	20% to 80%
Fall Time	T_f		0.6		

TEST CIRCUIT

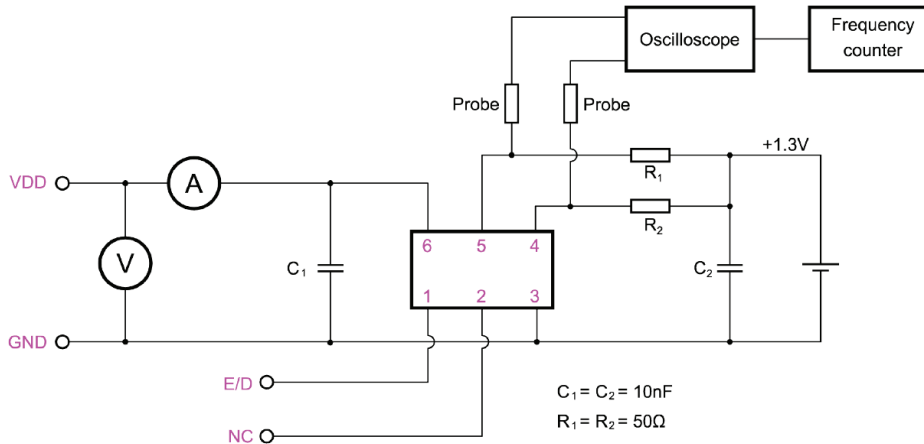
LVCMOS Output:



LVDS Output:



LVPECL Output:





PART IDENTIFICATION:

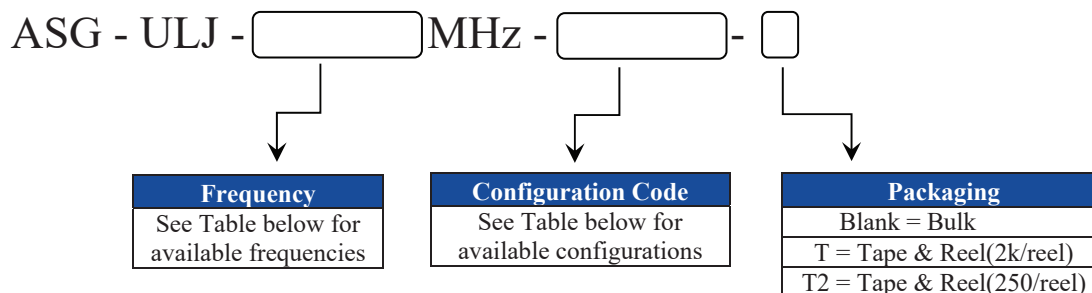


Table of Available Configurations

Abracon P/N	Frequency (MHz)	Overall Freq. Stability max ⁽¹⁾ (ppm)	Operating Temperature (°C)	Aging (years)	RMS Jitter max ⁽²⁾ (ps)	Supply Voltage (V)	Supply Current max. (mA)	Output Type
ASG-ULJ-156.250MHz-514613	156.250	±50	-40 to +85	10	0.15	3.3	75	LVPECL
ASG-ULJ-190.000MHz-514594	190.000	±50	-40 to +85	10	0.15 (12kHz to 5MHz BW)	3.3	40	LCVMOS
ASG-ULJ-156.250MHz-514644	156.250	±50	-40 to +85	10	0.15	2.5	75	LVPECL
ASG-ULJ-705.800MHz-514676	705.800	±50	-40 to +85	10	0.10	3.3	85	LVPECL
ASG-ULJ-100.000MHz-514895	100.000	±50	-40 to +85	10	0.15	2.5	75	LVPECL
ASG-ULJ-114.285MHz-515136	114.285	±25	-40 to +85	5	0.10 (12kHz to 5MHz BW)	3.3	30	LCVMOS
ASG-ULJ-156.250MHz-514804	156.250	±35	-40 to +85	10	0.15	3.3	75	LVPECL
ASG-ULJ-125.000MHz-514807	125.000	±35	-40 to +85	10	0.20	3.3	75	LVPECL
ASG-ULJ-114.285MHz-512383	114.285	±50	-40 to +85	10	0.10	3.3	40	LCVMOS
ASG-ULJ-98.304MHz-509595	98.304	±50	-40 to +85	10	0.10	3.3	40	LCVMOS

Note:

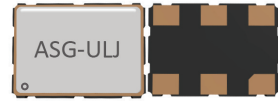
- Inclusive of initial tolerance at 25°C±3°C, operating temperature range, input voltage variation, load variation & aging at 25°C.
- RMS Jitter Max is defined over 12kHz to 20MHz BW from the carrier at 25°C, unless otherwise specified
- Please contact Abracon for the availability of other configurations.

Ultra Low Jitter SMD Crystal Oscillator

ASG-ULJ

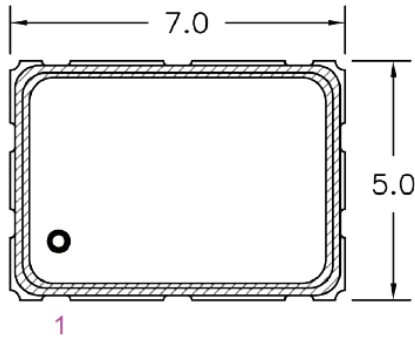


RoHS
Compliant

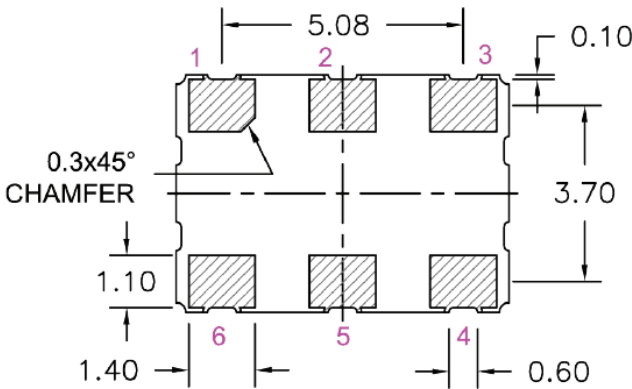


7.0 x 5.0 x 1.5 mm

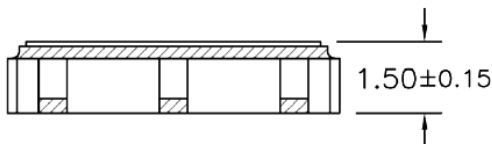
OUTLINE DIMENSIONS:



Top View

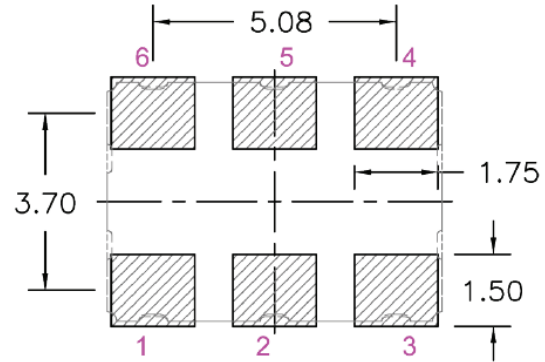


Bottom View



Side View

Recommended Land Pattern



Pin #	Pin Description	
	LVC MOS	LVDS/LVPECL
1	Output Enable (OE) or No Connect (N/C)	
2	No Connect (N/C) or Output Enable (OE)	
3	GND	
4	RF Output	
5	No Connect (N/C)	Complimentary Output
6	Vdd	

Abracon P/N	OE Pin #
ASG-ULJ-156.250MHz-514613	1
ASG-ULJ-190.000MHz-514594	1
ASG-ULJ-156.250MHz-514644	1
ASG-ULJ-705.800MHz-514676	2
ASG-ULJ-100.000MHz-514895	1
ASG-ULJ-114.285MHz-515136	1
ASG-ULJ-156.250MHz-514804	1
ASG-ULJ-125.000MHz-514807	1

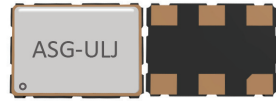
Dimensions: mm

Ultra Low Jitter SMD Crystal Oscillator

ASG-ULJ

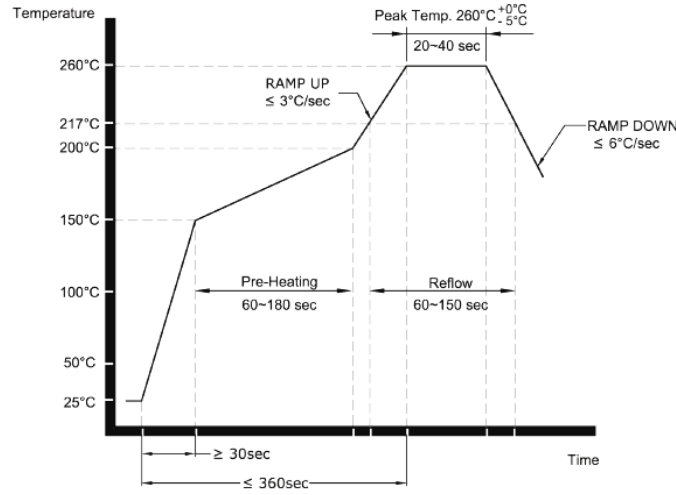


RoHS
Compliant



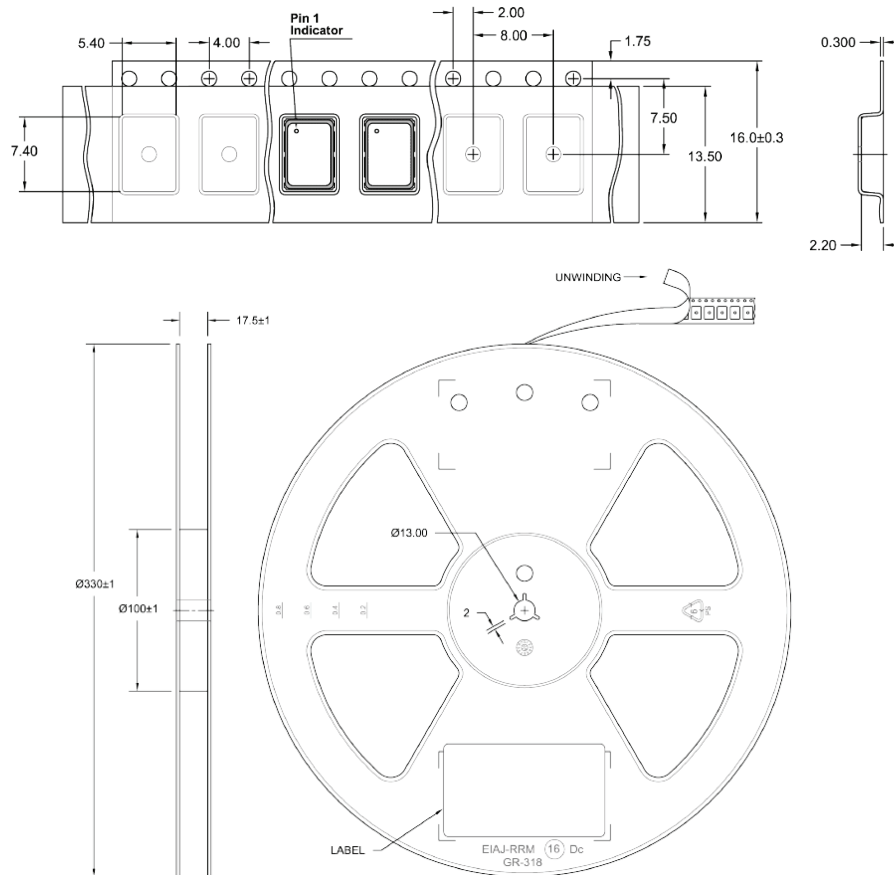
7.0 x 5.0 x 1.5 mm

RECOMMENDED REFLOW PROFILE



TAPE & REEL:

T= Tape and reel (2,000pcs/reel); T2= Tape and reel (250pcs/reel)



Dimensions: mm

ATTENTION: Abracon Corporation's products are COTS – Commercial-Off-The-Shelf products; suitable for Commercial, Industrial and, where designated, Automotive Applications. Abracon's products are not specifically designed for Military, Aviation, Aerospace, Life-dependant Medical applications or any application requiring high reliability where component failure could result in loss of life and/or property. For applications requiring high reliability and/or presenting an extreme operating environment, written consent and authorization from Abracon Corporation is required. Please contact Abracon Corporation for more information.

ABRACON IS
ISO9001:2008
CERTIFIED



5101 Hidden Creek Lane Spicewood TX 78669
Phone: 512-371-6159 | Fax: 512-351-8858
For terms and conditions of sale please visit:
www.abracon.com

Revised: 07.26.2016