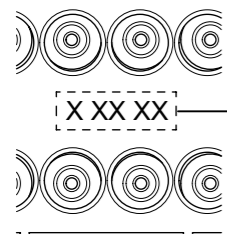
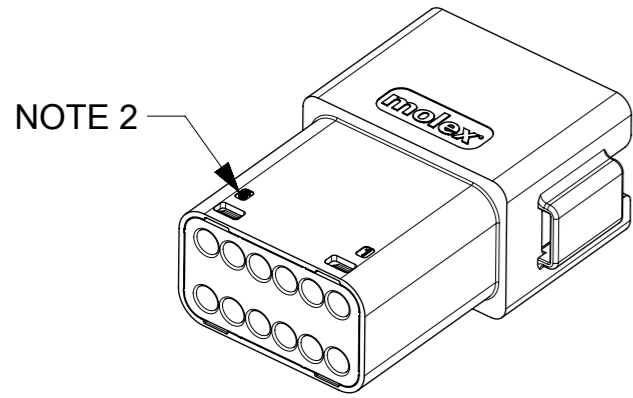


**NOTES**  
1. SEE SHEETS 2 - 9 FOR UNSPECIFIED NOTES, DIMENSIONS & PART NUMBERS

THIS DRAWING CONTAINS INFORMATION THAT IS PROPRIETARY TO MOLEX ELECTRONIC TECHNOLOGIES, LLC AND SHOULD NOT BE USED WITHOUT WRITTEN PERMISSION											
<b>QUALITY SYMBOLS</b> ▽A = 0 ▽E = 0 ▽F = 0 ▼ = 0 ▽C = 0 ⊗ = 0 ■ = 0 ▽ = 0	<b>REDRAWN AND REVISED</b> EC NO: 102179 DRWN: JFLETCHER CHK'D: FDUGGAN REV APPR: JDWALLACE	2015/12/16 2016/01/08 2016/01/14	GENERAL TOLERANCES (UNLESS SPECIFIED)		DIMENSION UNITS	SCALE					
			ANGULAR TOL ± 2.0 °		MM	1.25:1					
			4 PLACES ±		DRWN BY	DATE	12CCT ML-XT CV CONNECTOR SYSTEM				
			3 PLACES ±		JFLETCHER	2015/12/16					
			2 PLACES ± 0.1		CHK'D BY	DATE	PRODUCT CUSTOMER DRAWING				
			1 PLACE ± 0.2		FDUGGAN	2016/01/08					
			0 PLACES ±		APPR BY	DATE	SERIES: 93443 MATERIAL NUMBER: SEE NOTES CUSTOMER: GENERAL MARKET				
			DRAFT WHERE APPLICABLE MUST REMAIN WITHIN DIMENSIONS		JDWALLACE	2016/01/14					
					DRAWING SIZE	THIRD ANGLE PROJECTION	DOCUMENT NUMBER: 934430060 DOC TYPE: PSD DOC PART: 000 SHEET NUMBER: 1 OF 9				
					A3						

12CCT RECEPTACLE CONNECTOR

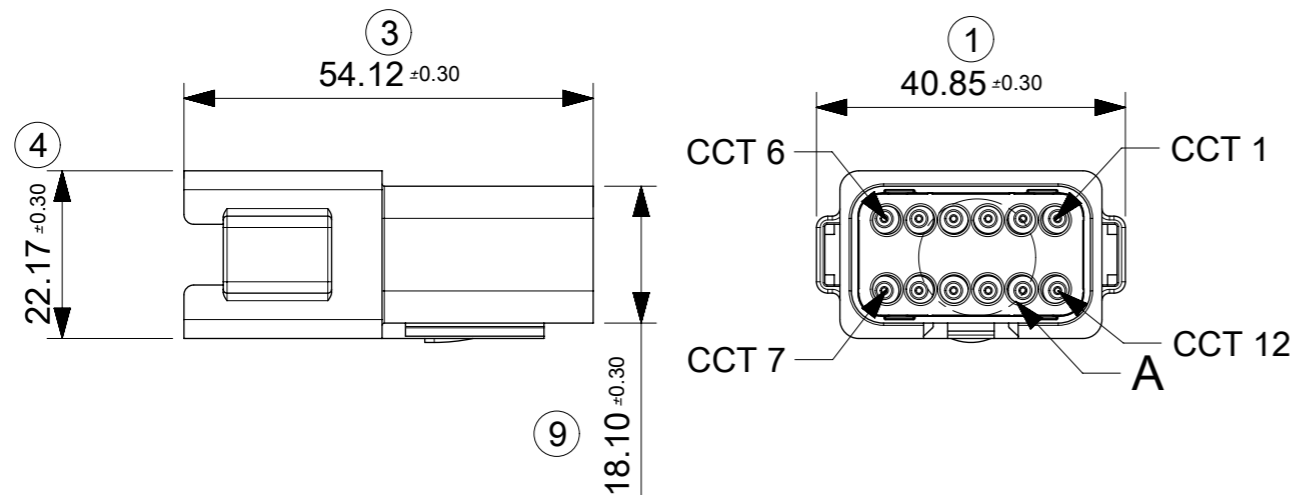


DETAIL A  
SCALE 2:1

DATE CODE: X XX XX  
X — DAY: 1- 7

X — WEEK: 01 - 52  
X — YEAR: 00 - 99

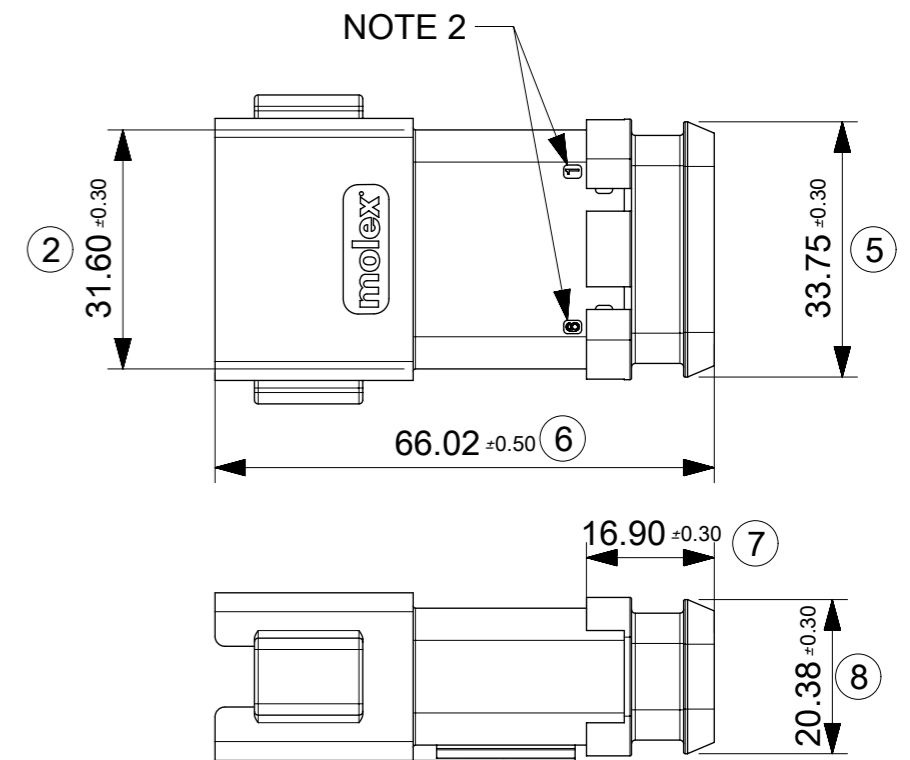
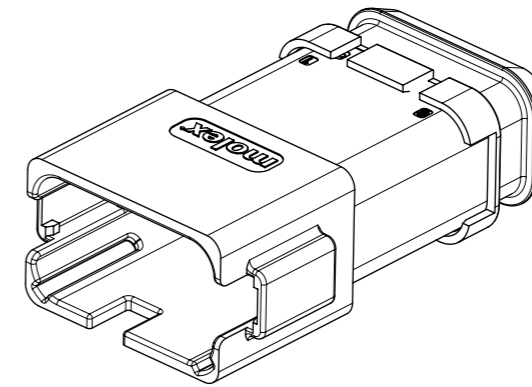
EXAMPLE: 11315 = DAY 1, WEEK 13, YEAR 15  
i.e. 23rd OF MARCH 2015



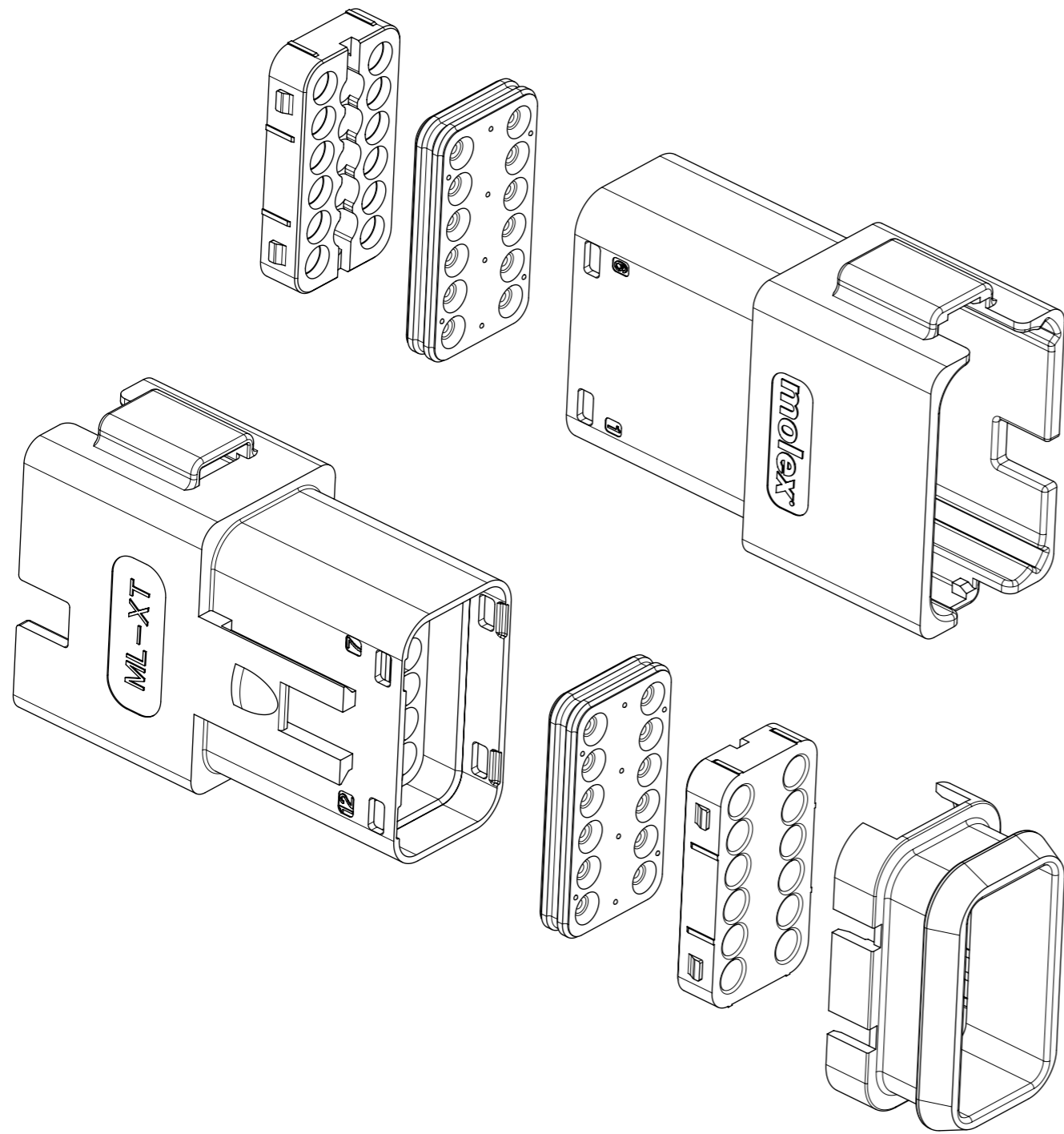
NOTES

- MATERIAL  
HOUSING: NYLON 30% GF  
BACK SEAL: HIGH CONSISTENCY RUBBER
  - CIRCUIT IDENTIFICATION
  - JACKET RANGE LARGE =  $\varnothing$ 2.7MM TO 3.6MM (SEAL COLOUR: LIGHT BLUE)  
JACKET RANGE SMALL =  $\varnothing$ 1.4MM TO 2.7MM (SEAL COLOUR: BURNT ORANGE)
  - SEE SHEET 3 FOR FINAL PART NUMBER DESIGNATION
  - SEE 934430010 PS P FOR PRODUCT SPECIFICATION
  - SEE 934430002 PS K OR 934430010 PS K FOR PACKAGING SPECIFICATION
- INSPECTION NUMBERS 1-50 RESERVED FOR SHEET 2  
LAST INSPECTION NUMBER: 9

12CCT RECEPTACLE CONNECTOR WITH HEATSHRINK HOUSING ULTRASONICALLY WELDED IN PLACE



THIS DRAWING CONTAINS INFORMATION THAT IS PROPRIETARY TO MOLEX ELECTRONIC TECHNOLOGIES, LLC AND SHOULD NOT BE USED WITHOUT WRITTEN PERMISSION											
QUALITY SYMBOLS	REDRAWN AND REVISED EC NO: 102179 DRWN: JFLETCHER CHK'D: FDUGGAN REV APPR: JDWALLACE	2015/12/16 2016/01/08 2016/01/14	GENERAL TOLERANCES (UNLESS SPECIFIED)		DIMENSION UNITS	SCALE					
			ANGULAR TOL $\pm$ 2.0 °		MM	1:1					
$\nabla$ = 0	EC NO: 102179 DRWN: JFLETCHER CHK'D: FDUGGAN REV APPR: JDWALLACE	2015/12/16 2016/01/08 2016/01/14	4 PLACES $\pm$	DRWN BY	DATE	12CCT ML-XT CV CONNECTOR SYSTEM					
$\nabla$ = 0			3 PLACES $\pm$	JFLETCHER	2015/12/16						
$\nabla$ = 2			2 PLACES $\pm$ 0.1	CHK'D BY	DATE	PRODUCT CUSTOMER DRAWING					
$\blacktriangledown$ = 0			1 PLACE $\pm$ 0.2	FDUGGAN	2016/01/08						
$\nabla$ = 0			0 PLACES $\pm$	APPR BY	DATE	PRODUCT CUSTOMER DRAWING					
$\boxtimes$ = 0			DRAFT WHERE APPLICABLE MUST REMAIN WITHIN DIMENSIONS	JDWALLACE	2016/01/14						
$\blacksquare$ = 0		DRAWING SIZE	THIRD ANGLE PROJECTION	SERIES	MATERIAL NUMBER	CUSTOMER		93443 SEE NOTES GENERAL MARKET			
$\nabla$ = 0		A3		93443	SEE NOTES	GENERAL MARKET					
				DOCUMENT NUMBER	DOC TYPE	DOC PART	SHEET NUMBER		934430060 PSD 000 2 OF 9		



12CCT RECEPTACLE CONNECTOR

SERIES NO. 93444

CIRCUIT SIZE  
6 = 12CCT

ASSEMBLY OPTIONS

- 1 = RECEPTACLE ASSEMBLY FOR WIRE JACKET RANGE  $\varnothing$ 1.4mm - 2.7mm
- 2 = RECEPTACLE ASSEMBLY FOR WIRE JACKET RANGE  $\varnothing$ 2.7mm - 3.6mm
- 5 = RECEPTACLE ASSEMBLY & HEATSHRINK FOR WIRE JACKET RANGE  $\varnothing$ 1.4mm - 2.7mm
- 6 = RECEPTACLE ASSEMBLY & HEATSHRINK FOR WIRE JACKET RANGE  $\varnothing$ 2.7mm - 3.6mm

KEYING / COLOUR OPTION

- 12 = KEYING OPTION A (GREY)
- 21 = KEYING OPTION B (BLACK)
- 33 = KEYING OPTION C (GREEN)
- 47 = KEYING OPTION D (BROWN)

EXAMPLE:

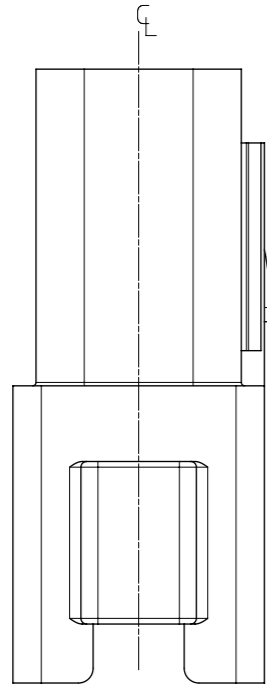
12CCT RECEPT & HEATSHRINK FOR WIRE JACKET RANGE  $\varnothing$ 1.4mm-2.7mm, KEYING OPTION A (GREY): 93444-6512

NOTES

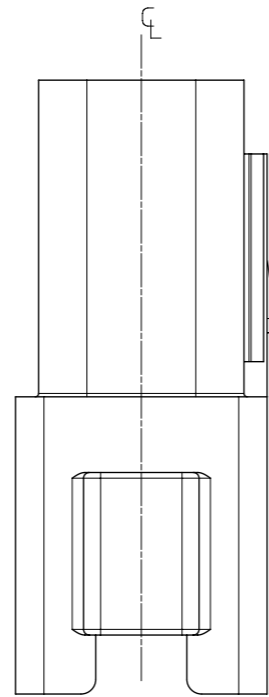
1. SEE SHEET 2 FOR UNSPECIFIED NOTES AND DIMENSIONS
2. BACK COVER COLOUR: BLACK
3. HEATSHRINK HOUSING COLOUR: BLACK

THIS DRAWING CONTAINS INFORMATION THAT IS PROPRIETARY TO MOLEX ELECTRONIC TECHNOLOGIES, LLC AND SHOULD NOT BE USED WITHOUT WRITTEN PERMISSION											
QUALITY SYMBOLS	A = 0 E = 0 EB = 0 ▼ = 0 C = 0 ⊗ = 0 ■ = 0 ▽ = 0	REDRAWN AND REVISED EC NO: 102179 DRWN: JFLETCHER CHK'D: FDUGGAN REV APPR: JDWALLACE	GENERAL TOLERANCES (UNLESS SPECIFIED)		DIMENSION UNITS	SCALE	<p style="text-align: center; margin: 0;">12CCT ML-XT CV CONNECTOR SYSTEM</p> <p style="text-align: center; margin: 0;">PRODUCT CUSTOMER DRAWING</p>				
			ANGULAR TOL $\pm$ 2.0 °		MM	1.5:1					
			4 PLACES $\pm$	DRWN BY	DATE		SERIES: 93443    MATERIAL NUMBER: SEE NOTES    CUSTOMER: GENERAL MARKET				
			3 PLACES $\pm$	JFLETCHER	2015/12/16						
			2 PLACES $\pm$ 0.1	CHK'D BY	DATE		DOCUMENT NUMBER: 934430060    DOC TYPE: PSD    DOC PART: 000    SHEET NUMBER: 3 OF 9				
			1 PLACE $\pm$ 0.2	FDUGGAN	2016/01/08						
			0 PLACES $\pm$	APPR BY	DATE		DRAWING SIZE: A3    THIRD ANGLE PROJECTION				
			DRAFT WHERE APPLICABLE MUST REMAIN WITHIN DIMENSIONS	JDWALLACE	2016/01/14						

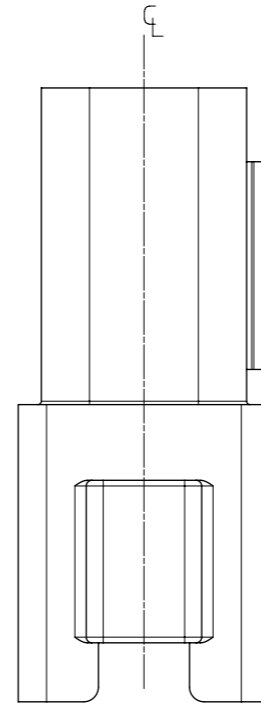
KEYING OPTION A



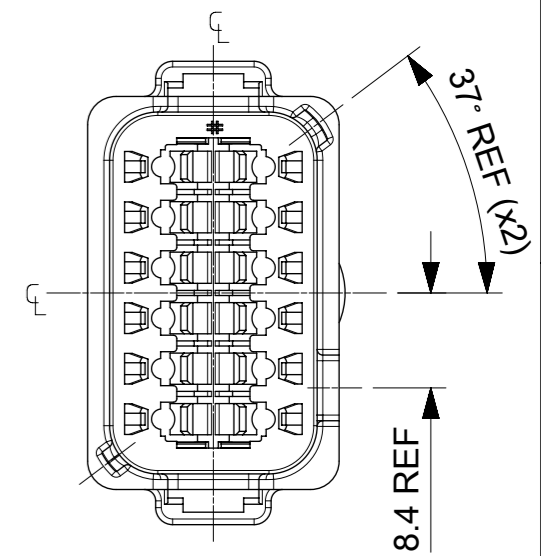
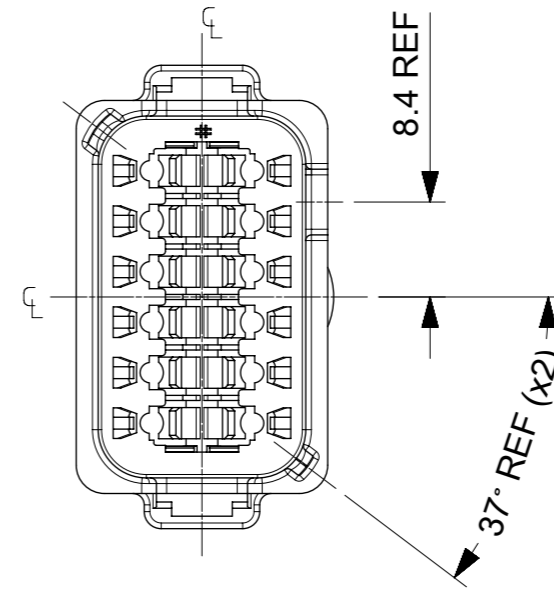
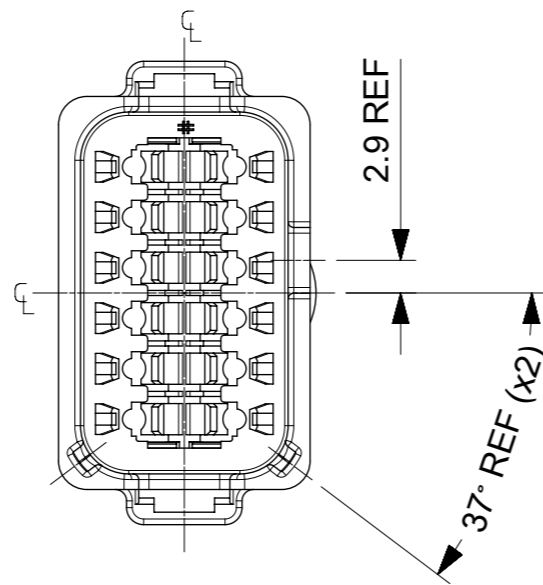
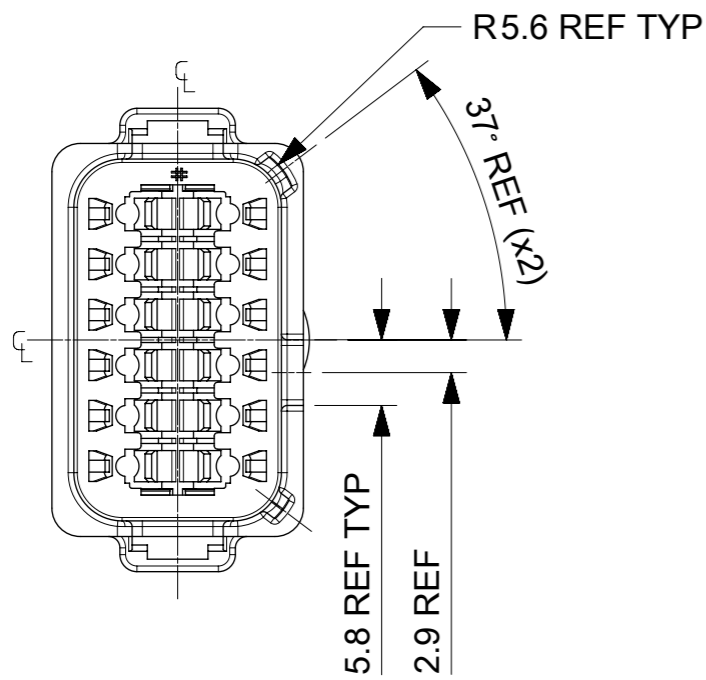
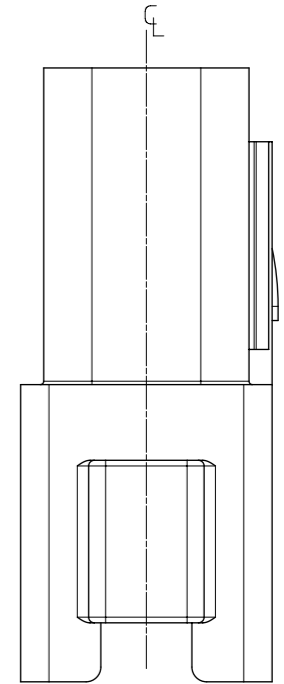
KEYING OPTION B



KEYING OPTION C

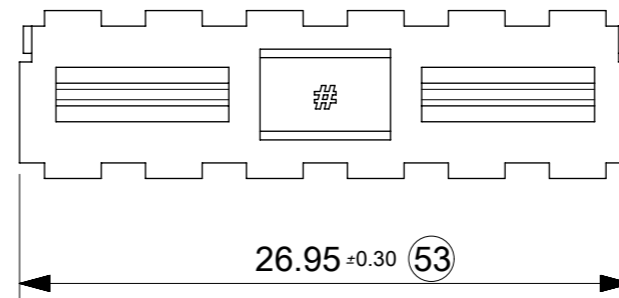
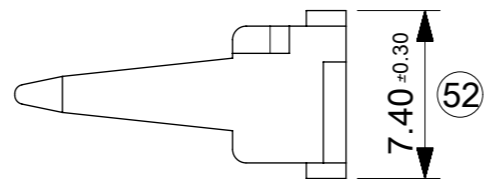
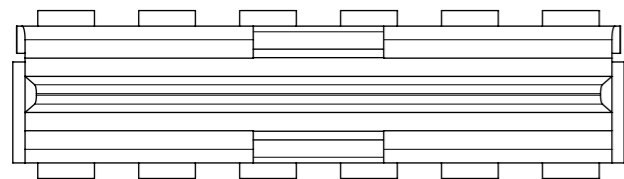
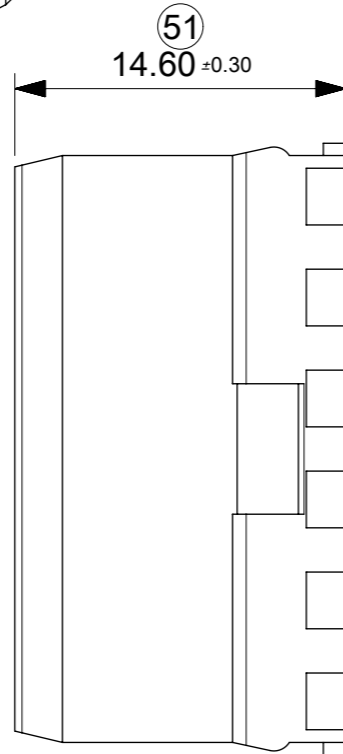
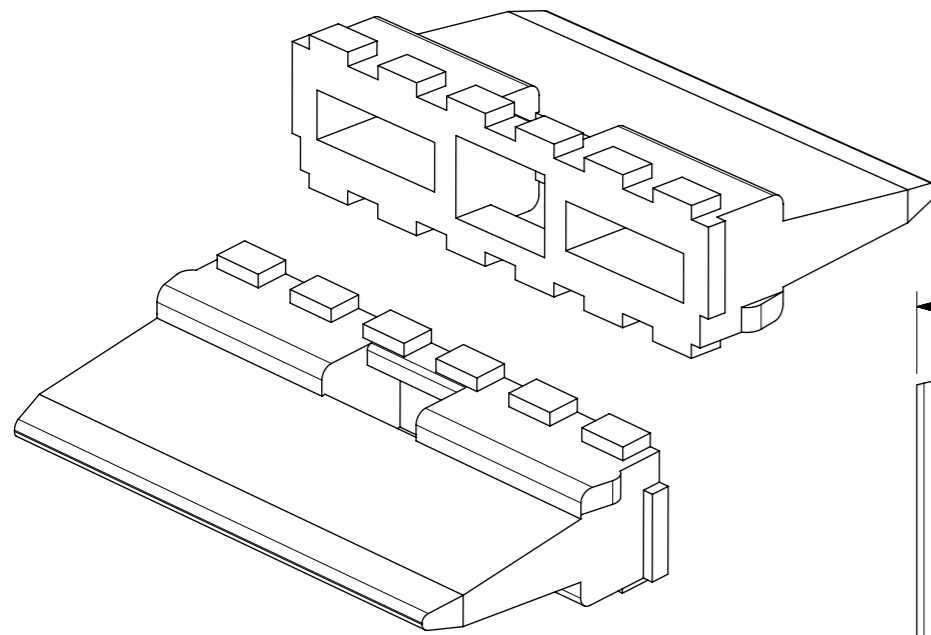


KEYING OPTION D

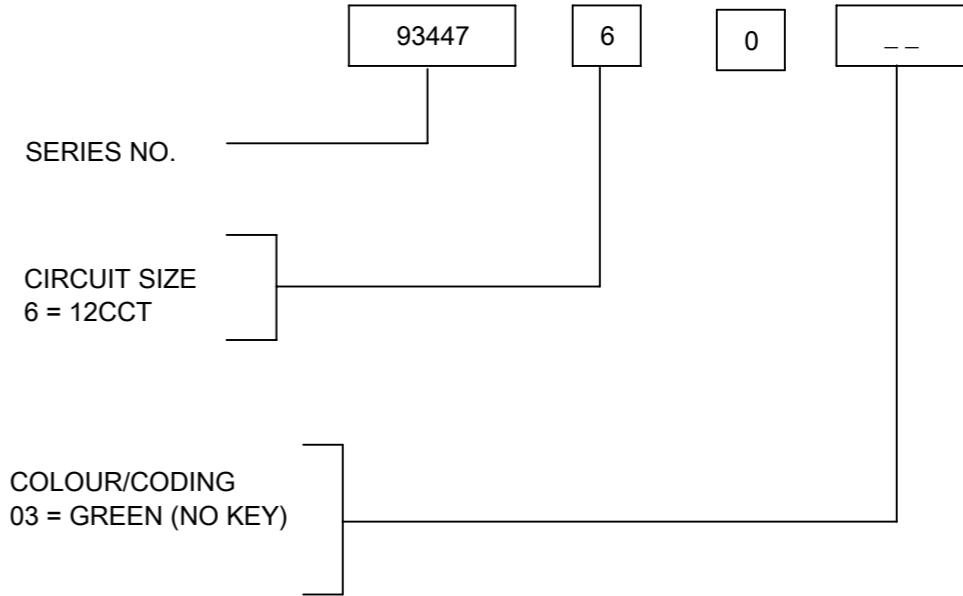


NOTES  
1. SEE SHEETS 2 & 3 FOR UNSPECIFIED NOTES AND DIMENSIONS

THIS DRAWING CONTAINS INFORMATION THAT IS PROPRIETARY TO MOLEX ELECTRONIC TECHNOLOGIES, LLC AND SHOULD NOT BE USED WITHOUT WRITTEN PERMISSION											
QUALITY SYMBOLS		REDRAWN AND REVISED		GENERAL TOLERANCES (UNLESS SPECIFIED)		DIMENSION UNITS		SCALE			
▽A	= 0	2015/12/16	DRWN: JFLETCHER	ANGULAR TOL ± 2.0 °		MM		1.5:1	12CCT ML-XT CV CONNECTOR SYSTEM		
▽E	= 0	2016/01/08	CHK'D: FDUGGAN	4 PLACES ±		DRWN BY JFLETCHER		DATE 2015/12/16			PRODUCT CUSTOMER DRAWING
▽B	= 0		2016/01/14	3 PLACES ±		CHK'D BY FDUGGAN		DATE 2016/01/08	SERIES 93443		
▽	= 0			2 PLACES ± 0.1		APPR BY JDWALLACE		DATE 2016/01/14			MATERIAL NUMBER SEE NOTES
▽C	= 0			1 PLACE ± 0.2		DRAWING SIZE A3		THIRD ANGLE PROJECTION	CUSTOMER GENERAL MARKET		
⊠	= 0			0 PLACES ±		DRAFT WHERE APPLICABLE MUST REMAIN WITHIN DIMENSIONS					DOCUMENT NUMBER 934430060
■	= 0								DOC TYPE PSD		
▽	= 0										DOC PART 000
									SHEET NUMBER 4 OF 9		



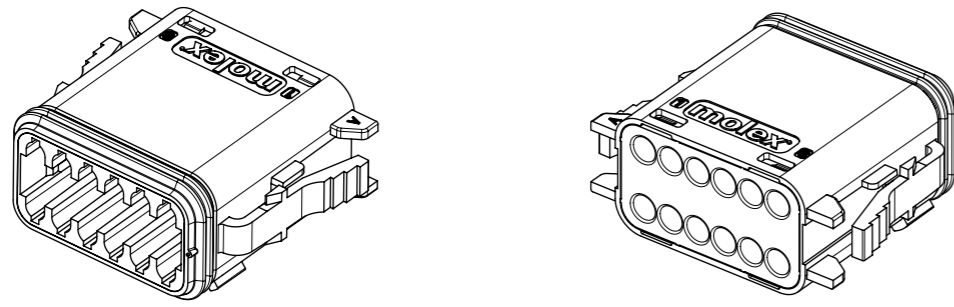
12CCT RECEPTACLE WEDGELOCK



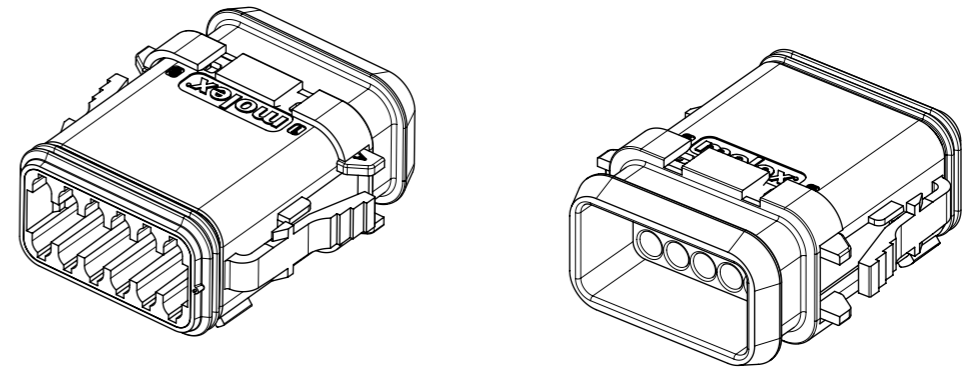
**NOTES**  
 1. MATERIAL  
 HOUSING: NYLON 30% GLASS FILLED  
 2. INSPECTION NUMBERS 51-100  
 RESERVED FOR SHEET 5  
 LAST INSPECTION NUMBER 53

<b>QUALITY SYMBOLS</b> ▽A = 0 ▽E = 0 ▽F = 0 ▼ = 0 ▽C = 0 ⊗ = 0 ■ = 0 ▽ = 0	THIS DRAWING CONTAINS INFORMATION THAT IS PROPRIETARY TO MOLEX ELECTRONIC TECHNOLOGIES, LLC AND SHOULD NOT BE USED WITHOUT WRITTEN PERMISSION										
	REDRAWN AND REVISED EC NO: 102179 DRWN: JFLETCHER CHK'D: FDUGGAN REV APPR: JDWALLACE	2015/12/16		2016/01/08		2016/01/14		GENERAL TOLERANCES (UNLESS SPECIFIED)		DIMENSION UNITS	SCALE
		ANGULAR TOL ± 2.0 °						MM		3:1	
		4 PLACES ±		3 PLACES ±		2 PLACES ± 0.1		1 PLACE ± 0.2		DRWN BY	DATE
		0 PLACES ±		DRAFT WHERE APPLICABLE MUST REMAIN WITHIN DIMENSIONS		A3		THIRD ANGLE PROJECTION		JFLETCHER	2015/12/16
FDUGGAN		2016/01/08		JDWALLACE		2016/01/14		PRODUCT CUSTOMER DRAWING			
SERIES			MATERIAL NUMBER			CUSTOMER					
93443			SEE NOTES			GENERAL MARKET					
DOCUMENT NUMBER				DOC TYPE		DOC PART		SHEET NUMBER			
934430060				PSD		000		5 OF 9			

12CCT PLUG CONNECTOR



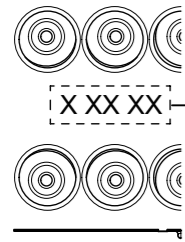
12CCT PLUG CONNECTOR WITH HEATSHRINK HOUSING ULTRASONICALLY WELDED IN PLACE



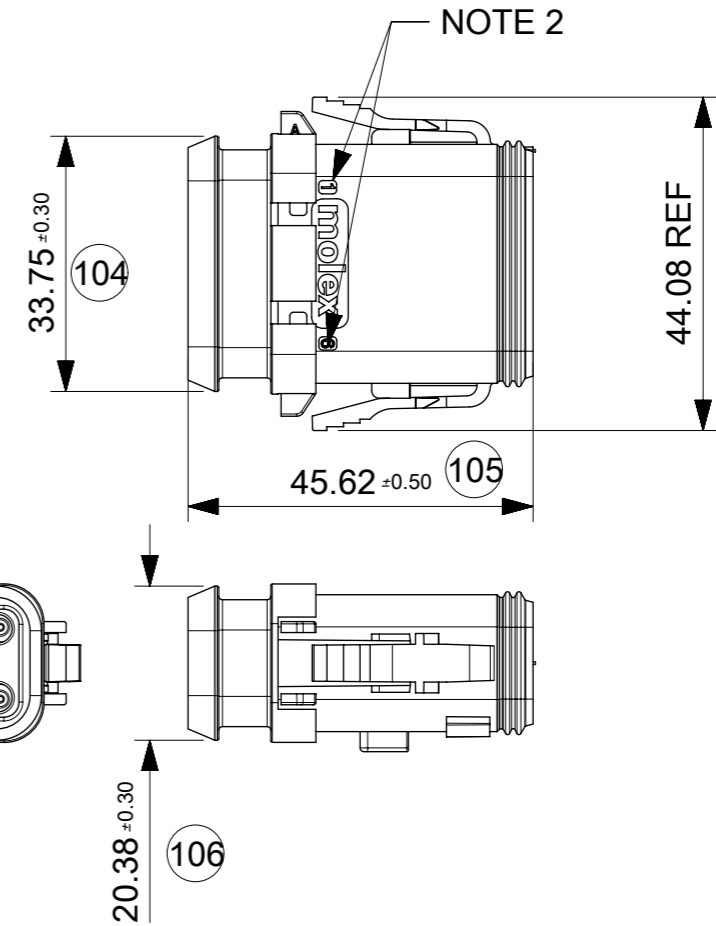
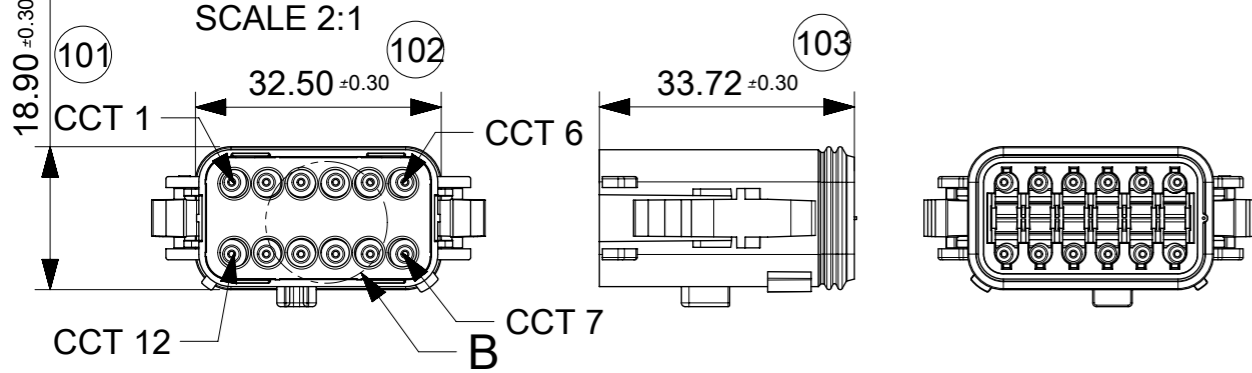
DATE CODE: X XX XX  
 X — DAY: 1- 7

X — WEEK: 01 - 52  
 X — YEAR: 00 - 99

EXAMPLE: 11315 = DAY 1, WEEK 13, YEAR 15  
 i.e. 23rd OF MARCH 2015



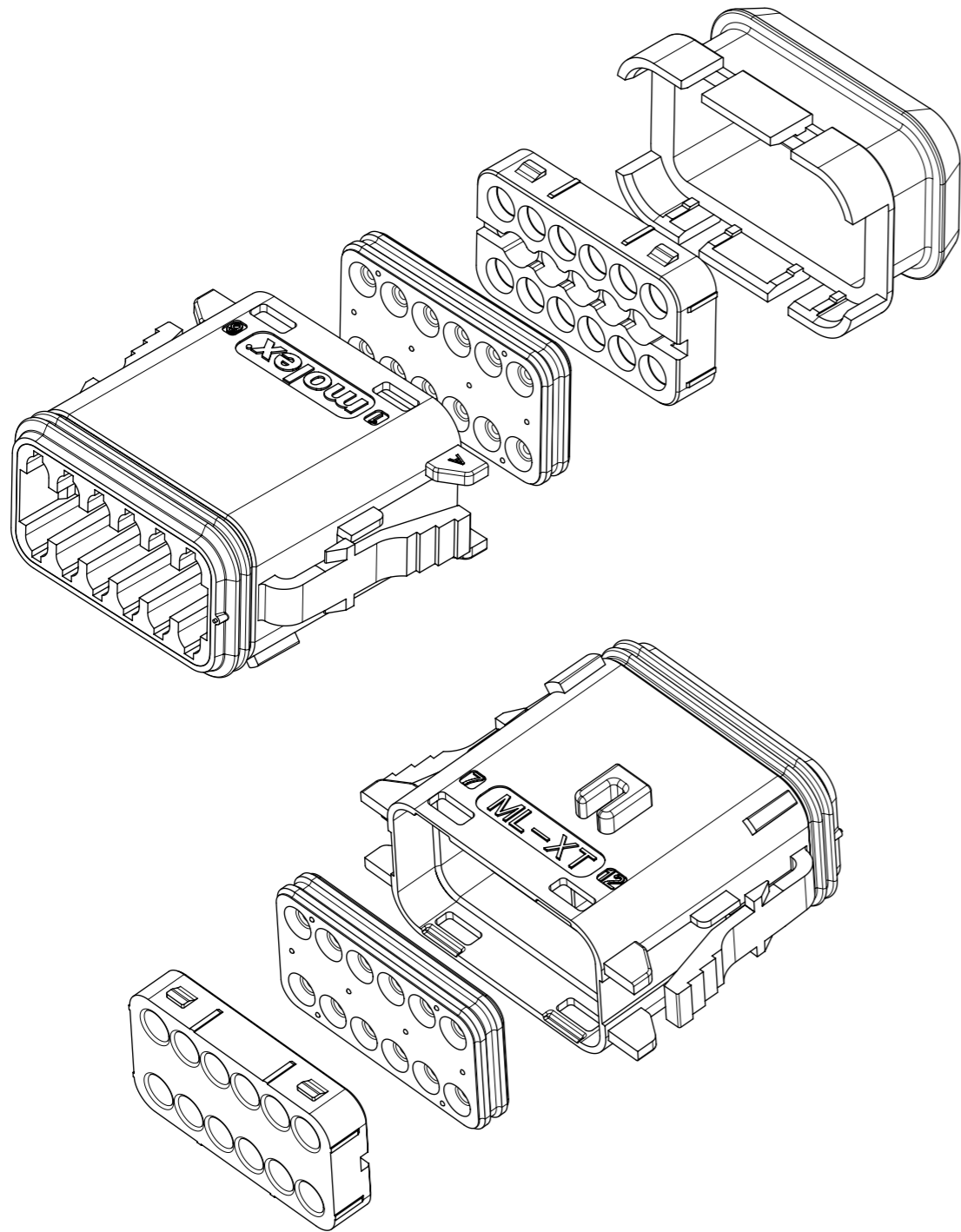
DETAIL B  
 SCALE 2:1



NOTES

- MATERIAL  
 HOUSING: NYLON 30% GLASS FILL  
 PLUG SEAL: SILICONE  
 BACK SEAL: HIGH CONSISTENCY RUBBER
  - CIRCUIT IDENTIFICATION
  - JACKET RANGE LARGE =  $\varnothing$ 2.7mm TO 3.6mm (SEAL COLOUR: LIGHT BLUE)  
 JACKET RANGE SMALL =  $\varnothing$ 1.4mm TO 2.7mm (SEAL COLOUR: BURNT ORANGE)
  - SEE SHEET 7 FOR FINAL PART NUMBER DESIGNATION
  - SEE 934430010 PSP FOR PRODUCT SPECIFICATION
  - SEE 934430002 PS K OR 934430010 PS K FOR PACKAGING SPECIFICATION
- INSPECTION NUMBERS 101-150 RESERVED FOR SHEET 6  
 LAST INSPECTION NUMBER 106

THIS DRAWING CONTAINS INFORMATION THAT IS PROPRIETARY TO MOLEX ELECTRONIC TECHNOLOGIES, LLC AND SHOULD NOT BE USED WITHOUT WRITTEN PERMISSION													
QUALITY SYMBOLS	REDRAWN AND REVISED	EC NO: 102179	DRWN: JFLETCHER	CHK'D: FDUGGAN	APPR: JDWALLACE	2015/12/16	2016/01/08	2016/01/14	GENERAL TOLERANCES (UNLESS SPECIFIED)		DIMENSION UNITS	SCALE	molex
									ANGULAR TOL ± 2.0 °		MM	1:1	
▽A = 0									4 PLACES ±				12CCT ML-XT CV CONNECTOR SYSTEM
▽E = 0								3 PLACES ±		DRWN BY	DATE		
▽B = 0									2 PLACES ± 0.1	JFLETCHER	2015/12/16		PRODUCT CUSTOMER DRAWING
▽ = 0								1 PLACE ± 0.2		CHK'D BY	DATE		
▽ = 0									0 PLACES ±	FDUGGAN	2016/01/08		SERIES
▽ = 0										APPR BY	DATE		
▽ = 0										JDWALLACE	2016/01/14		CUSTOMER
▽ = 0										DRAWING SIZE		THIRD ANGLE PROJECTION	
▽ = 0										A3			GENERAL MARKET
										DRAFT WHERE APPLICABLE MUST REMAIN WITHIN DIMENSIONS			
													934430060
													DOC PART
													6 OF 9



12CCT PLUG CONNECTOR

SERIES NO.

93445

CIRCUIT SIZE  
6 = 12CCT

6

-

- -

ASSEMBLY OPTIONS

- 1 = PLUG ASSEMBLY FOR WIRE JACKET RANGE  $\varnothing$ 1.4mm - 2.7mm
- 2 = PLUG ASSEMBLY FOR WIRE JACKET RANGE  $\varnothing$ 2.7mm - 3.6mm
- 5 = PLUG ASSEMBLY & HEATSHRINK FOR WIRE JACKET RANGE  $\varnothing$ 1.4mm - 2.7mm
- 6 = PLUG ASSEMBLY & HEATSHRINK FOR WIRE JACKET RANGE  $\varnothing$ 2.7mm - 3.6mm

KEYING / COLOUR OPTION

- 12 = KEYING OPTION A (GREY)
- 21 = KEYING OPTION B (BLACK)
- 33 = KEYING OPTION C (GREEN)
- 47 = KEYING OPTION D (BROWN)

EXAMPLE:

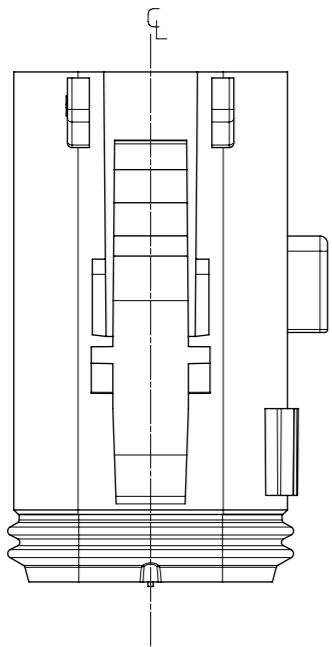
12CCT PLUG & HEATSHRINK FOR WIRE JACKET RANGE  $\varnothing$ 1.4mm-2.7mm, KEYING OPTION A (GREY): 93445-6512

NOTES

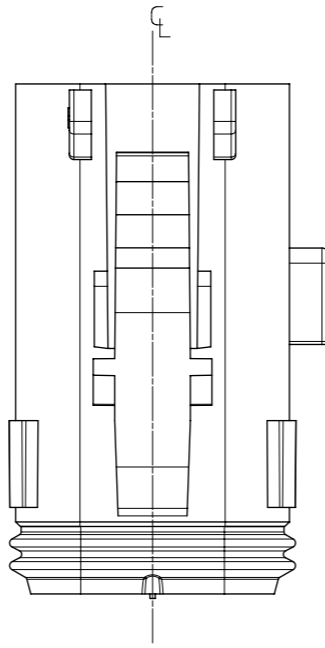
- 1. SEE SHEET 6 FOR UNSPECIFIED NOTES AND DIMENSIONS
- 2. BACK COVER COLOUR: BLACK
- 3. HEATSHRINK HOUSING COLOUR: BLACK

<p>QUALITY SYMBOLS</p> <p>▽A = 0</p> <p>▽E = 0</p> <p>▽EB = 0</p> <p>▼ = 0</p> <p>▽C = 0</p> <p>⊗ = 0</p> <p>■ = 0</p> <p>▽ = 0</p>	THIS DRAWING CONTAINS INFORMATION THAT IS PROPRIETARY TO MOLEX ELECTRONIC TECHNOLOGIES, LLC AND SHOULD NOT BE USED WITHOUT WRITTEN PERMISSION										
	<p>REDRAWN AND REVISED</p> <p>EC NO: 102179</p> <p>DRWN: JFLETCHER</p> <p>CHK'D: FDUGGAN</p> <p>REV APPR: JDWALLACE</p>	<p>2015/12/16</p> <p>2016/01/08</p> <p>2016/01/14</p>	GENERAL TOLERANCES (UNLESS SPECIFIED)		DIMENSION UNITS	SCALE					
			ANGULAR TOL ± 2.0 °		MM	1:1					
			4 PLACES ±	DRWN BY		DATE		<p>12CCT ML-XT CV CONNECTOR SYSTEM</p>			
			3 PLACES ±	JFLETCHER		2015/12/16					
			2 PLACES ± 0.1	CHK'D BY		DATE		<p>PRODUCT CUSTOMER DRAWING</p>			
	1 PLACE ± 0.2	FDUGGAN		2016/01/08							
	0 PLACES ±	APPR BY		DATE		SERIES	MATERIAL NUMBER	CUSTOMER			
	DRAFT WHERE APPLICABLE MUST REMAIN WITHIN DIMENSIONS	JDWALLACE		2016/01/14		93443		GENERAL MARKET			
		DRAWING SIZE		THIRD ANGLE PROJECTION		DOCUMENT NUMBER		DOC TYPE	DOC PART	SHEET NUMBER	
	A3				934430060		PSD	000	7 OF 9		

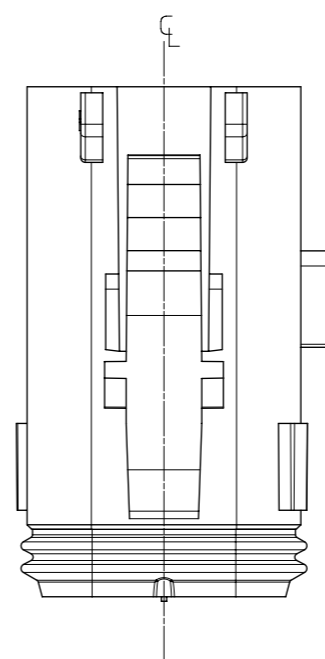
KEYING OPTION A



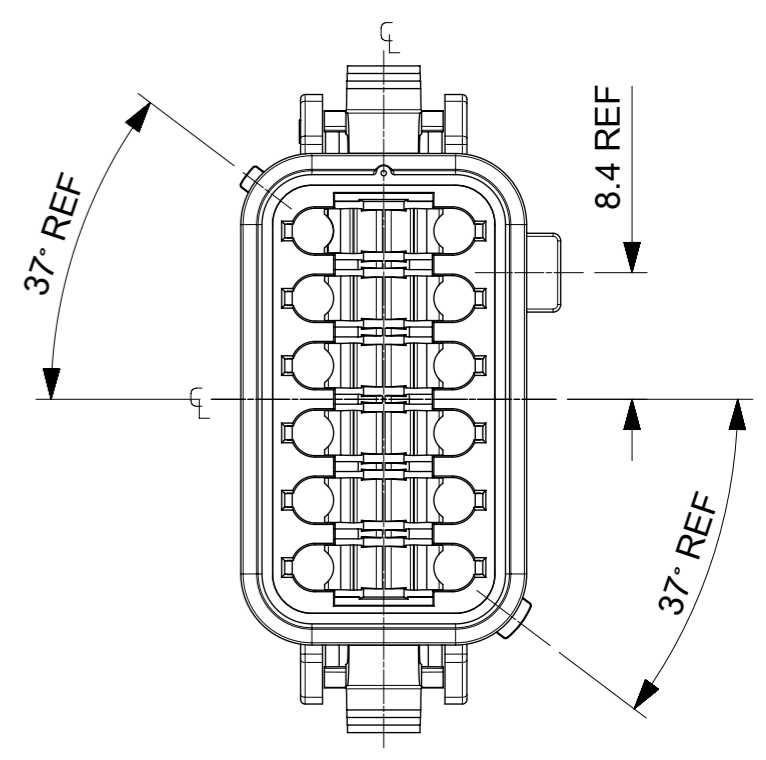
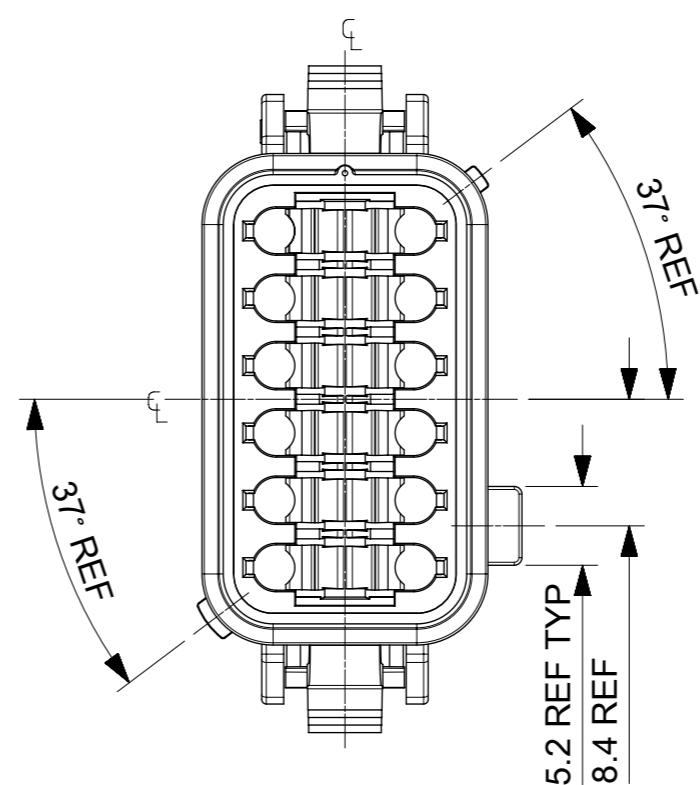
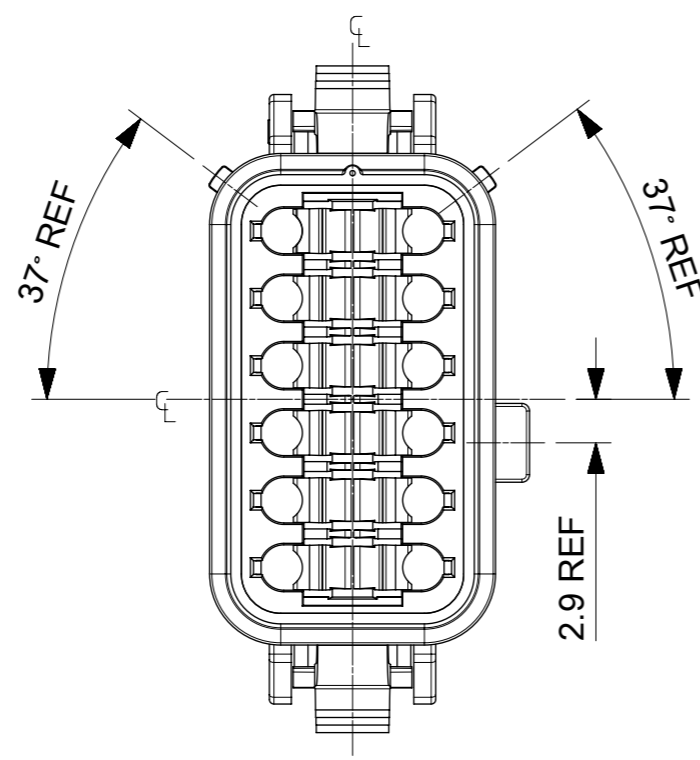
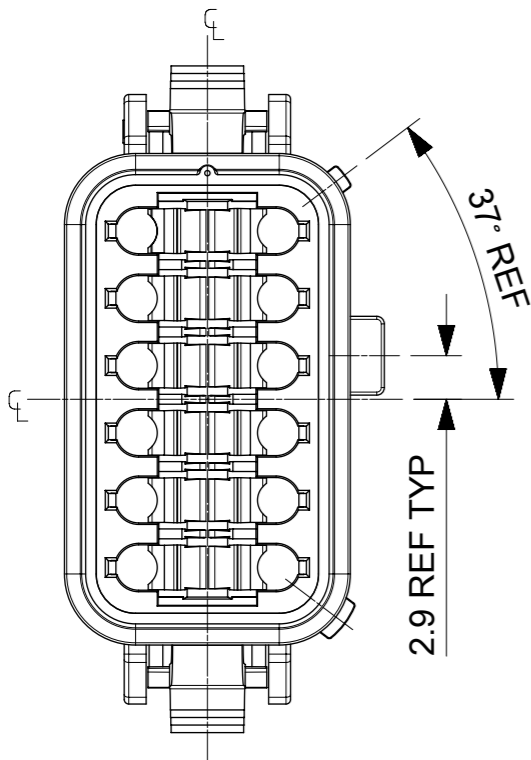
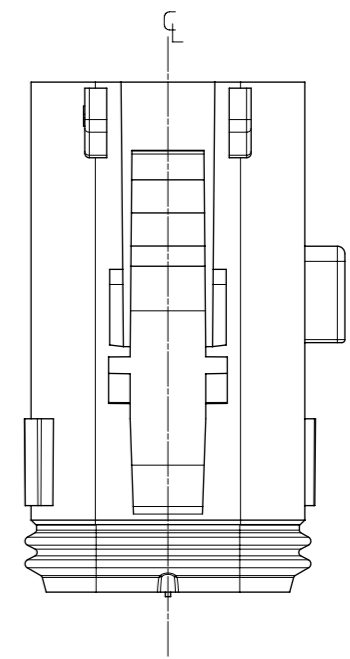
KEYING OPTION B



KEYING OPTION C



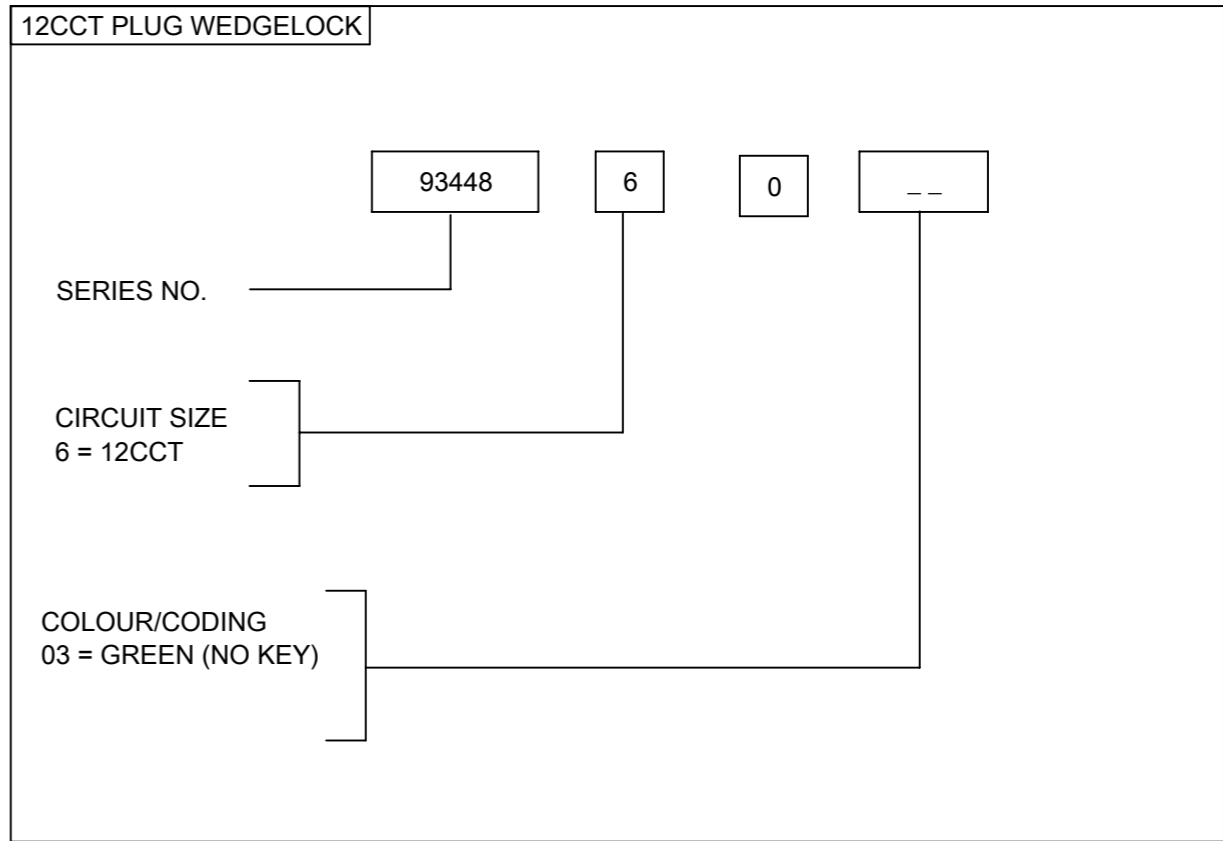
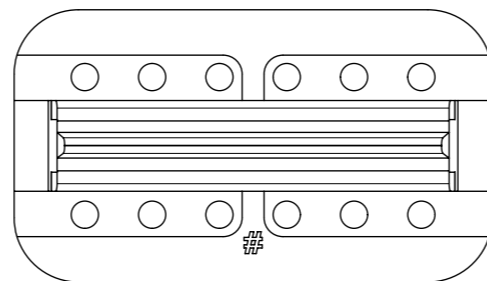
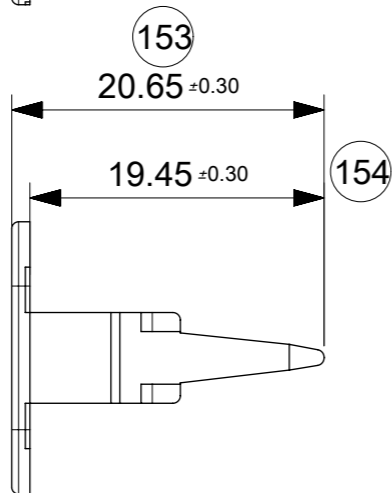
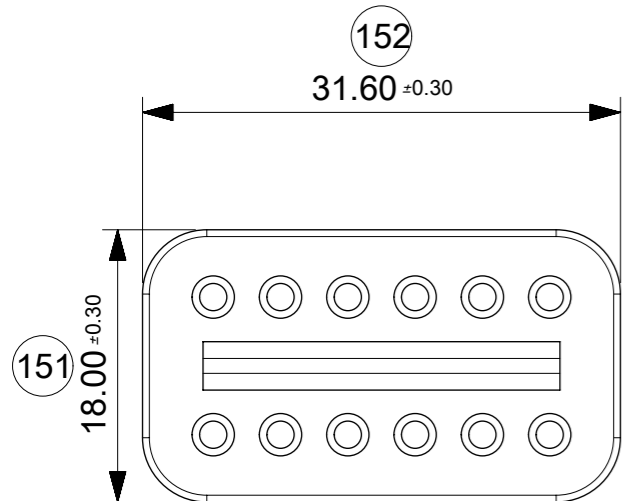
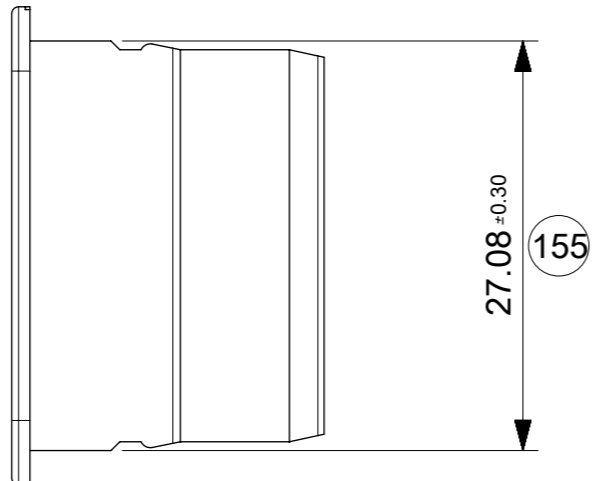
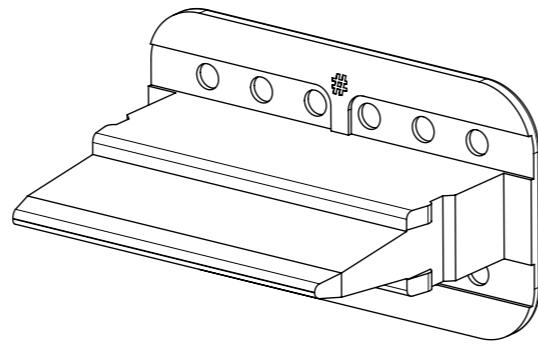
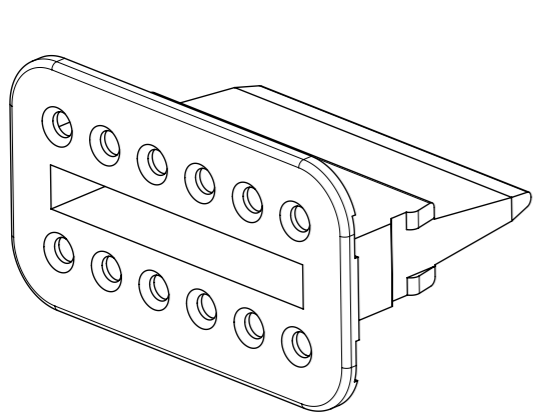
KEYING OPTION D



**NOTES**  
1. SEE SHEETS 6 & 7 FOR UNSPECIFIED NOTES AND DIMENSIONS

<b>QUALITY SYMBOLS</b> ▽A = 0 ▽E = 0 ▽F = 0 ▼ = 0 ▽C = 0 ⊠ = 0 ■ = 0 ▽ = 0	THIS DRAWING CONTAINS INFORMATION THAT IS PROPRIETARY TO MOLEX ELECTRONIC TECHNOLOGIES, LLC AND SHOULD NOT BE USED WITHOUT WRITTEN PERMISSION											
	REDRAWN AND REVISED EC NO: 102179 DRWN: JFLETCHER CHK'D: FDUGGAN REV APPR: JDWALLACE	2015/12/16	2016/01/08	GENERAL TOLERANCES (UNLESS SPECIFIED)		DIMENSION UNITS	SCALE					
		2015/12/16	2016/01/08	ANGULAR TOL ± 2.0 °		MM	2:1					
		4 PLACES ±	3 PLACES ±	2 PLACES ± 0.1	1 PLACE ± 0.2	0 PLACES ±	DRWN BY	DATE	12CCT ML-XT CV CONNECTOR SYSTEM			
		JFLETCHER	2015/12/16	FDUGGAN	2016/01/08							
		DRAFT WHERE APPLICABLE MUST REMAIN WITHIN DIMENSIONS	DRWING SIZE	THIRD ANGLE PROJECTION	PRODUCT CUSTOMER DRAWING							
	A3	93443	GENERAL MARKET	SERIES MATERIAL NUMBER CUSTOMER								
		934430060	PSD	000	8 OF 9	DOCUMENT NUMBER DOC TYPE DOC PART SHEET NUMBER						





NOTES  
 1. MATERIAL  
 HOUSING: NYLON 30% GLASS FILL  
 2. INSPECTION NUMBERS 151-200 RESERVED FOR SHEET 9  
 LAST INSPECTION NUMBER 155

<b>QUALITY SYMBOLS</b> A = 0 E = 0 F = 0 G = 0 H = 0 I = 0 J = 0 K = 0 L = 0 M = 0 N = 0 O = 0 P = 0 Q = 0 R = 0 S = 0 T = 0 U = 0 V = 0 W = 0 X = 0 Y = 0 Z = 0	THIS DRAWING CONTAINS INFORMATION THAT IS PROPRIETARY TO MOLEX ELECTRONIC TECHNOLOGIES, LLC AND SHOULD NOT BE USED WITHOUT WRITTEN PERMISSION										
	REDRAWN AND REVISED EC NO: 102179 DRWN: JFLETCHER CHK'D: FDUGGAN REV APPR: JDWALLACE	GENERAL TOLERANCES (UNLESS SPECIFIED) ANGULAR TOL ± 2.0 °		DIMENSION UNITS <b>MM</b>		SCALE <b>2:1</b>					
		4 PLACES ± 3 PLACES ± 2 PLACES ± 0.1 1 PLACE ± 0.2 0 PLACES ±		DRWN BY <b>JFLETCHER</b>		DATE <b>2015/12/16</b>					
		DRAFT WHERE APPLICABLE MUST REMAIN WITHIN DIMENSIONS		APPR BY <b>JDWALLACE</b>		DATE <b>2016/01/14</b>		PRODUCT CUSTOMER DRAWING			
A		DRAWING SIZE <b>A3</b>		THIRD ANGLE PROJECTION		SERIES <b>93443</b>		MATERIAL NUMBER <b>934430060</b>		CUSTOMER <b>GENERAL MARKET</b>	
RELEASE STATUS <b>P1</b>		RELEASE DATE <b>14.01.2016</b>		09:50:50		DOC TYPE <b>PSD</b>		DOC PART <b>000</b>		SHEET NUMBER <b>9 OF 9</b>	