



# PRODUCT DATASHEET

## Strada series

last update 25/7/2013

### DETAILS

<b>Product Number</b>	C13140_STRADA-T-6X1-DWC
<b>Family</b>	Strada
<b>Type</b>	Lens array
<b>Color</b>	clear
<b>Diameter</b>	119,8 + 25,2 mm
<b>Height</b>	5,6 mm
<b>Style</b>	rectang
<b>Optic Material</b>	PMMA
<b>Holder Material</b>	
<b>Fastening</b>	pin, glue, screw
<b>Status</b>	production ready
<b>ROHS Compliant</b>	Yes
<b>Date Updated</b>	25/07/2013

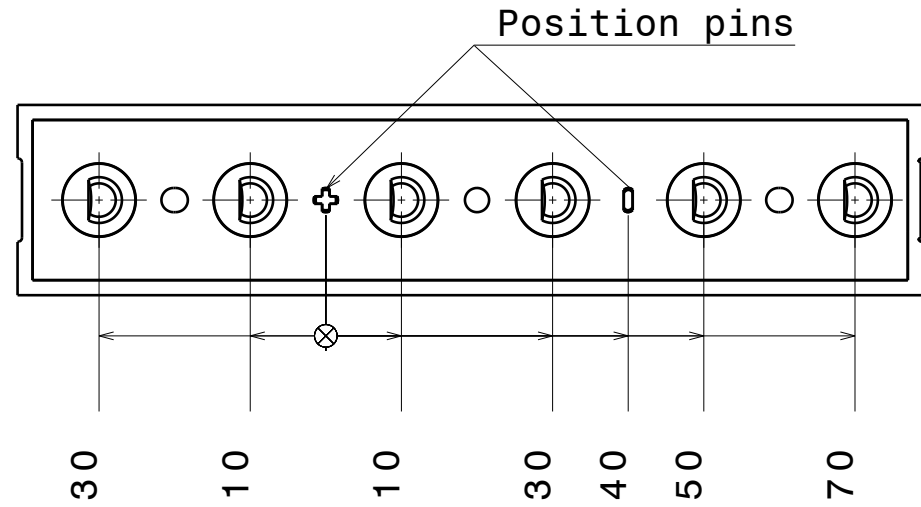


### OPTICAL PROPERTIES

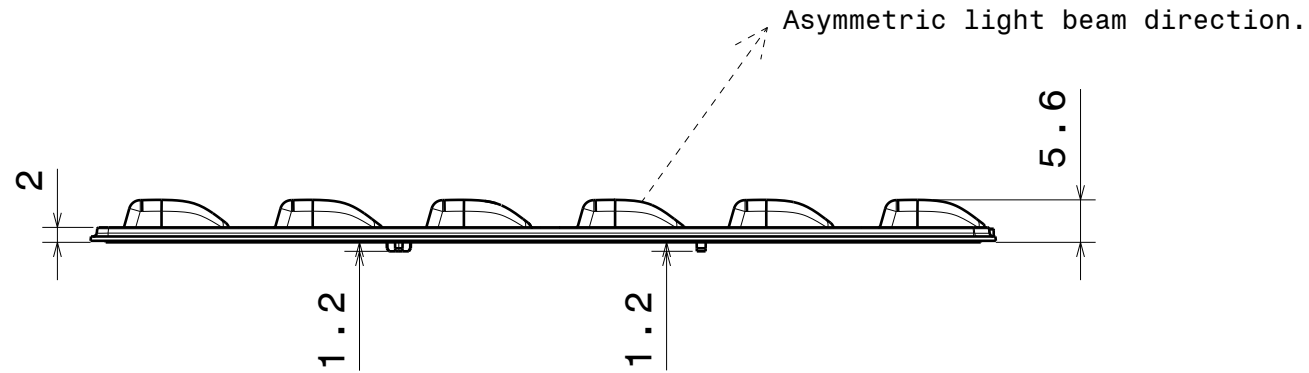
LED	Viewing Angle	Light Beam	Efficiency	cd/lm	Connector
Oslon Square PC	Asymmetric deg	Asymmetric	96 %	0.600	-

INDEX	PART NO	DESCRIPTION	MATERIAL
1	C13140	STRADA-T-6X1-DWC	PMMA 8N

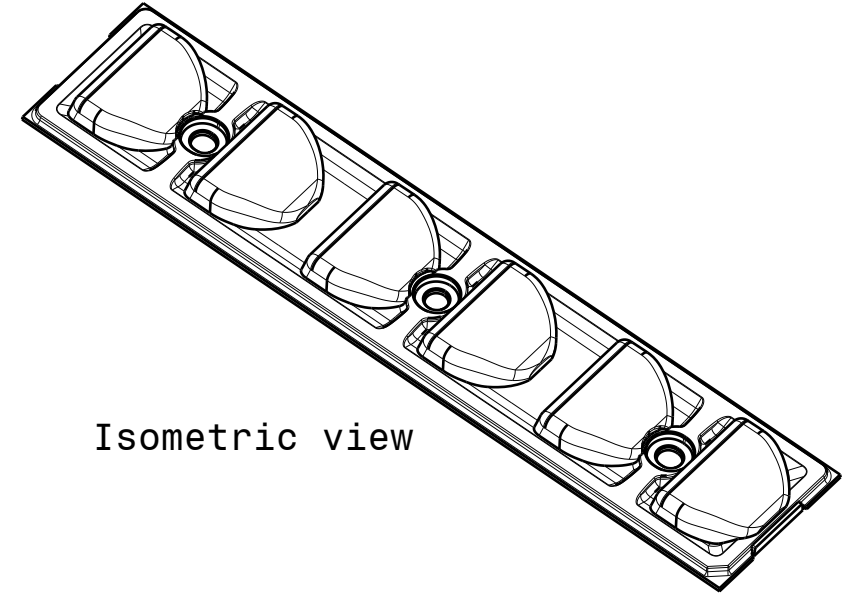
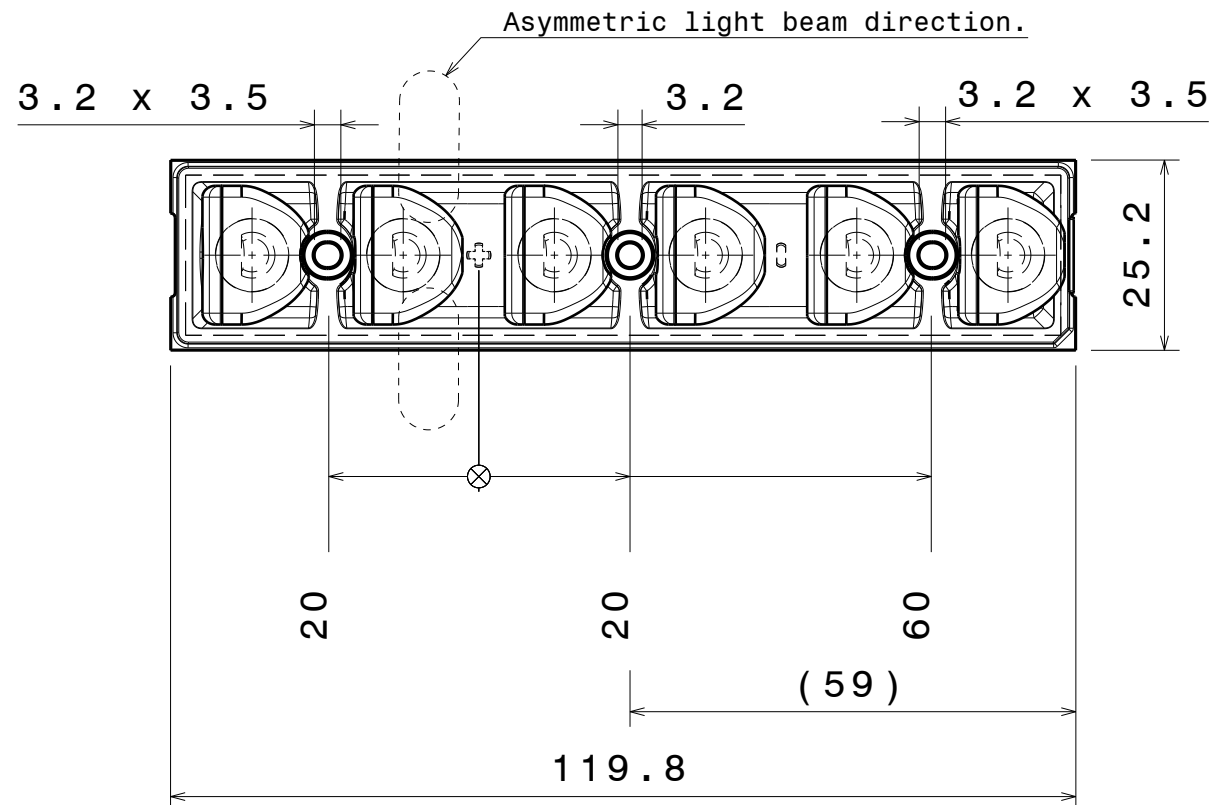
Bottom view



Front view



Top view

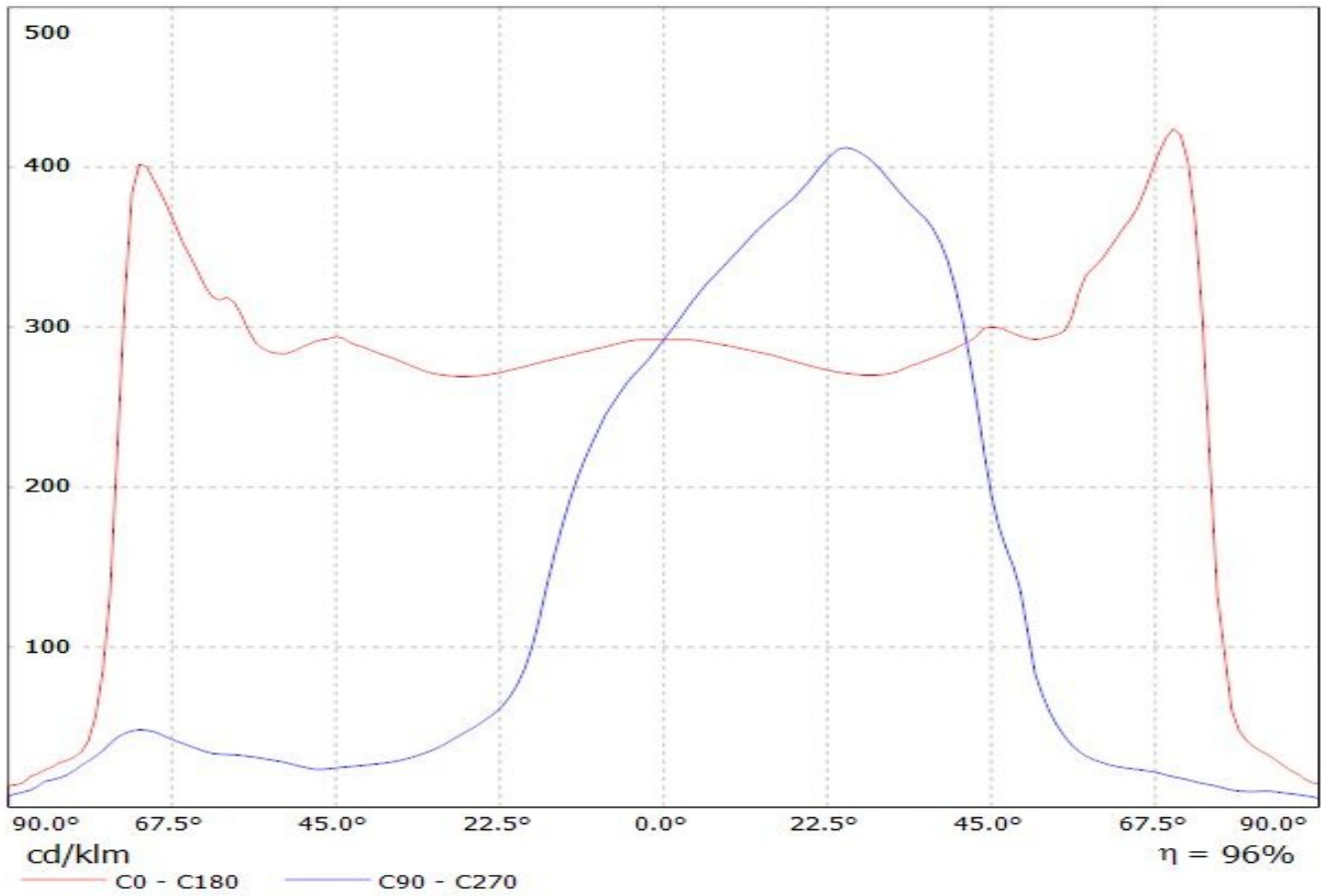


Tolerances if not otherwise shown:  
According to DIN ISO 2768-1  
Linear measures:  
Up to 30mm class M, otherwise class C.

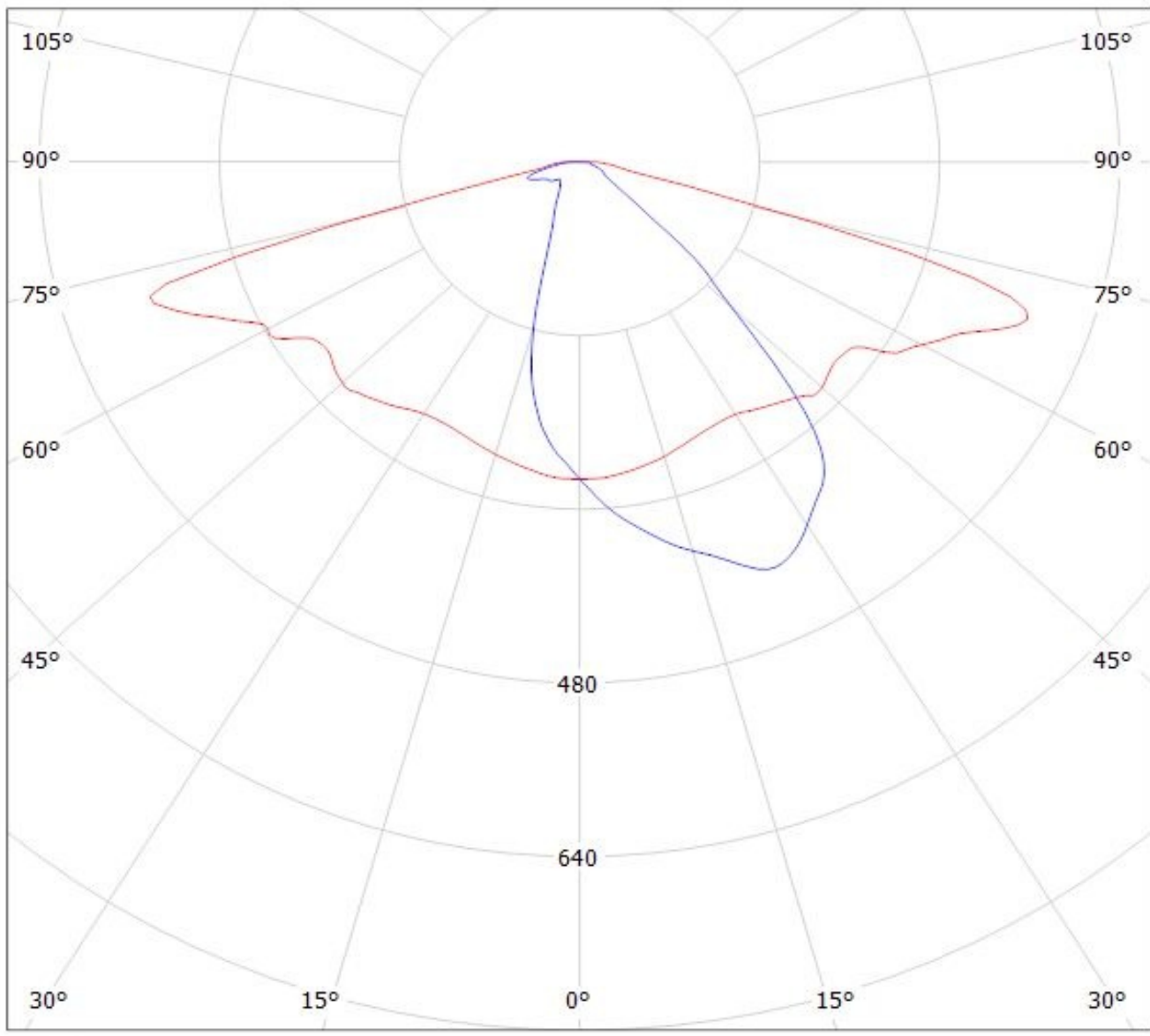
According to DIN ISO 2768-2  
Form and position:  
class L

This drawing is our property. It can't be reproduced or communicated without our written agreement.		 Ledil Oy Salorankatu 10 FIN 24240 SALO Finland	
DRAWING TITLE		Part Drawing	
DRAWN BY mav	DATE 2.10.2012	C13140 STRADA-T-6X1-DWC mechanical	
CHECKED BY -	DATE -	SIZE A3	PART NUMBER C13140 REV 001
DESIGNED BY -	DATE -	SCALE 1:1	WEIGHT 9,89 g SHEET 1/1

Luminaire: LEDiL Oy C13140\_STRADA-T-6X1-DWC\_(SQ-PC) Eff.95.8%  
Lamps: 1 x Osram Square PC (586.106lm@250mA)



Luminaire: LEDiL Oy C13140\_STRADA-T-6X1-DWC\_(SQ-PC) Eff.95.8%  
Lamps: 1 x Osram Square PC (586.106lm@250mA)



cd/klm

— C0 - C180    — C90 - C270

$\eta = 96\%$

**NOTE: The typical divergence will be changed by different color, chip size and chip position tolerance. The typical total divergence is the full angle measured where the luminous intensity is half of the peak value.**