

4

3

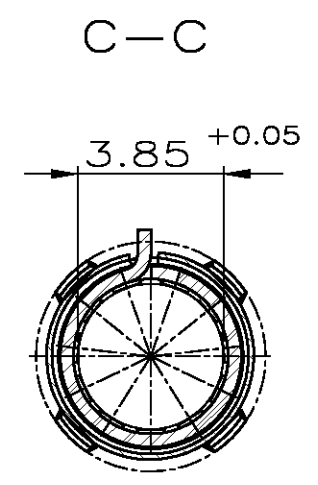
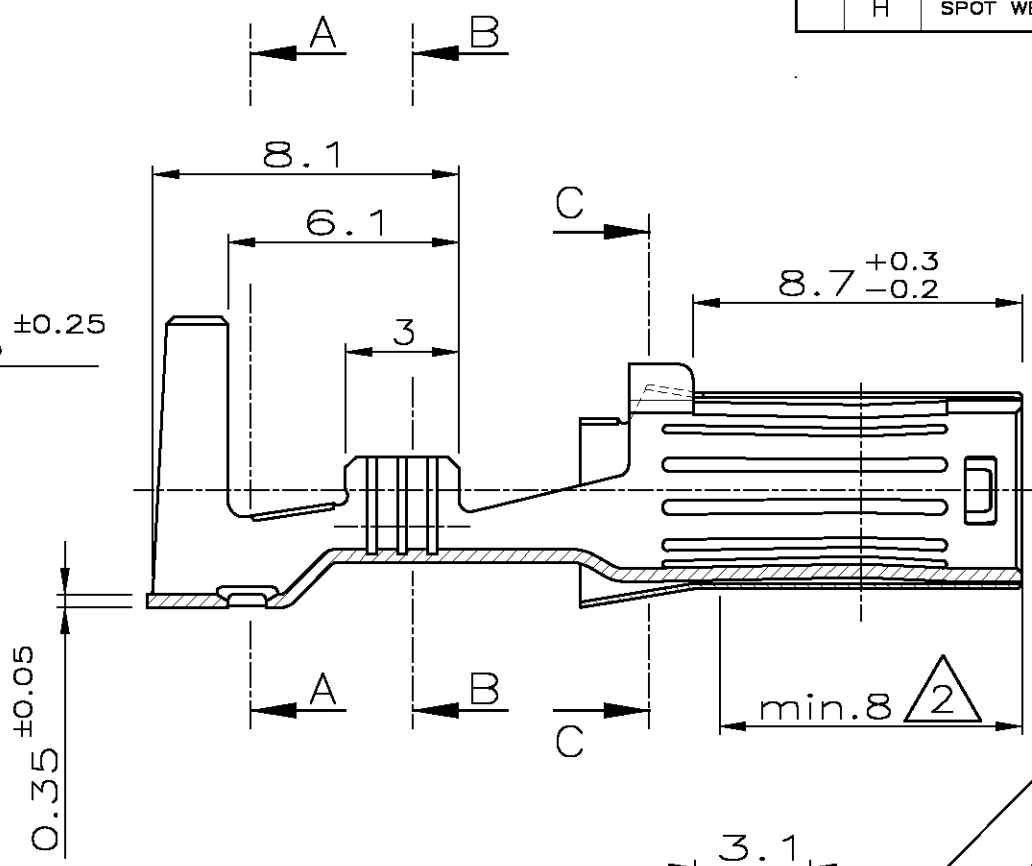
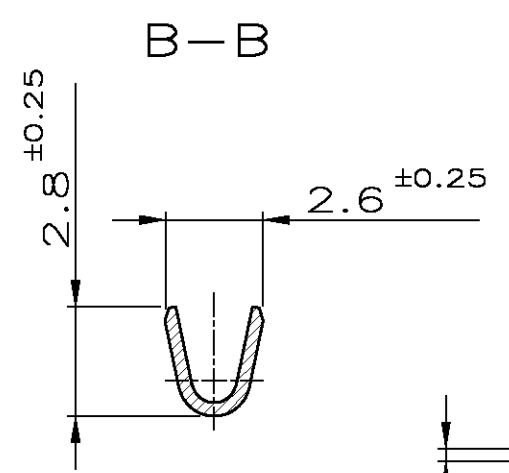
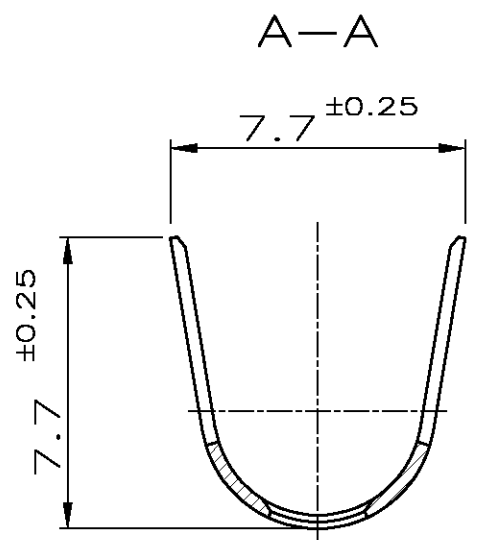
2

1

THIS DRAWING IS UNPUBLISHED. RELEASED FOR PUBLICATION. ALL RIGHTS RESERVED.

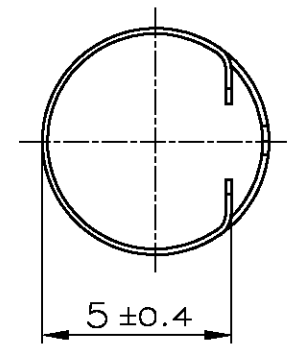
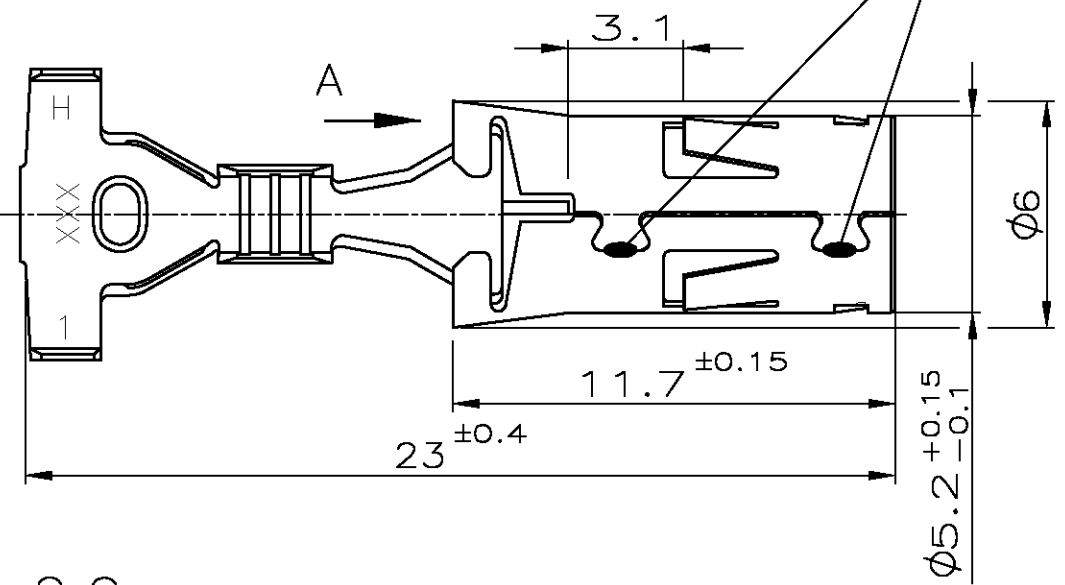
LOC AI DIST -

REVISIONS					
P	LTR	DESCRIPTION	DATE	DWN	APVD
F		DOVE TAIL ADDED / Schwabenschwanz eingefuegt	27JUL2006	C.H.	C.G.
G		DRAWING ADAPTED / Zeichnung angepasst	13AUG2007	Abr	C.G.
H		SPOT WELDING CHANGED INTO LINE WELDING	27SEP2012	Sch	Abr



LASER WELDED (LINE)  
Laserschweissung (Linie)

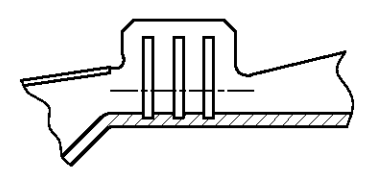
Teilansicht A



NOTES  
Bemerkungen

- 1 1-3µm Sn  
1-3µm Sn
- 2 3-4µm GALVANIC Ag  
REST GALV. Sn (1-3µm)  
3-4µm galvanisch Ag  
Rest galv. Sn (1-3µm)
- 3 WIRE RANGE  
Drahtgrossenbereich (mm<sup>2</sup>): 0.5-1
- 4 INSULATION RANGE FOR SWS Ø6 (mm): 1.4-2.0  
Isolationsbereich fuer EDS Ø6

OPTIONAL



2	vorversilbert	0-962952-2	H
1	vorverzinkt	0-962952-1	H
	FINISH	PART NO.	REV.

THIS DRAWING IS A CONTROLLED DOCUMENT.

DIMENSIONS: mm	TOLERANCES UNLESS OTHERWISE SPECIFIED: 0 PLC ± ±0.2mm 1 PLC ± ± 2 PLC ± ± 3 PLC ± ± 4 PLC ± ± ANGLES ± 1.5° FINISH -
MATERIAL CuNiSi	

DWN E. Palmie	02FEB1995
CHK H. Lutsch	02FEB1995
APVD	
PRODUCT SPEC	108-18472
APPLICATION SPEC	114-18118
WEIGHT	-
CUSTOMER DRAWING	



NAME  
Ø4mm SOCKET CONTACT, SWS  
Ø4mm Buchsenkontakt, EDS

SIZE A3	CAGE CODE 00779	DRAWING NO. C-962952	RESTRICTED TO -
SCALE 5:1	SHEET 1 OF 1	REV H	