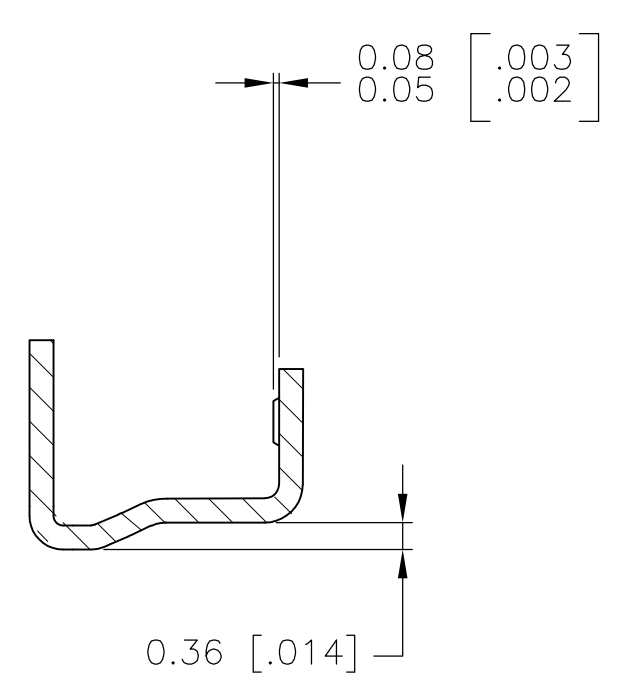
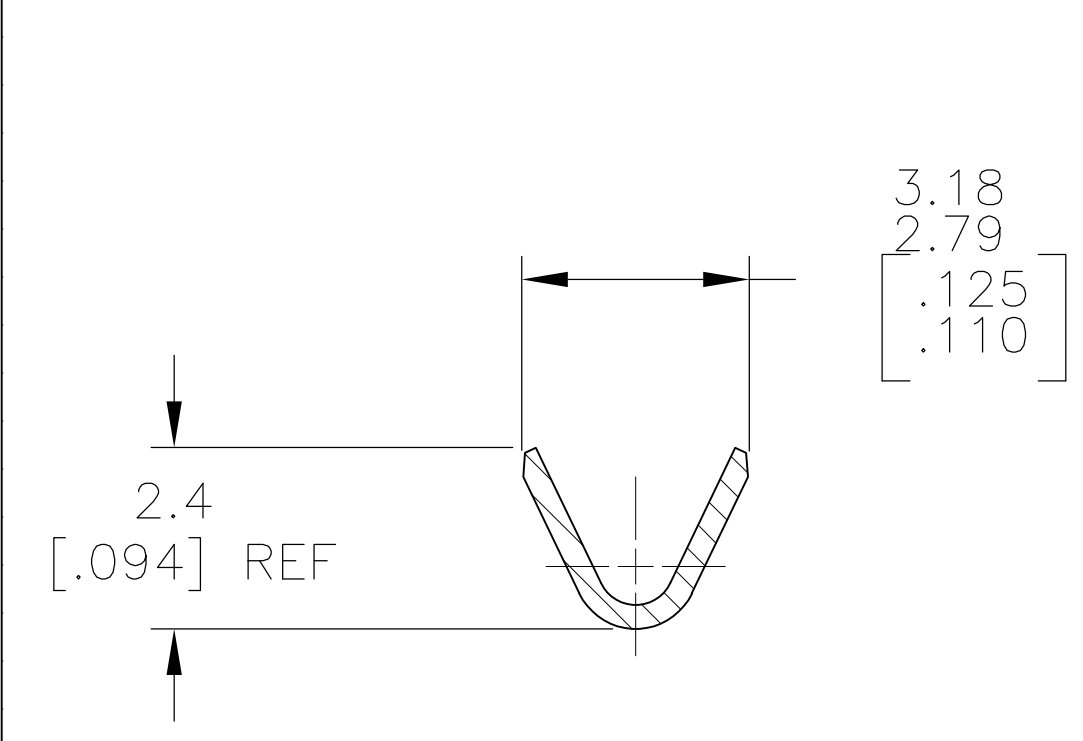
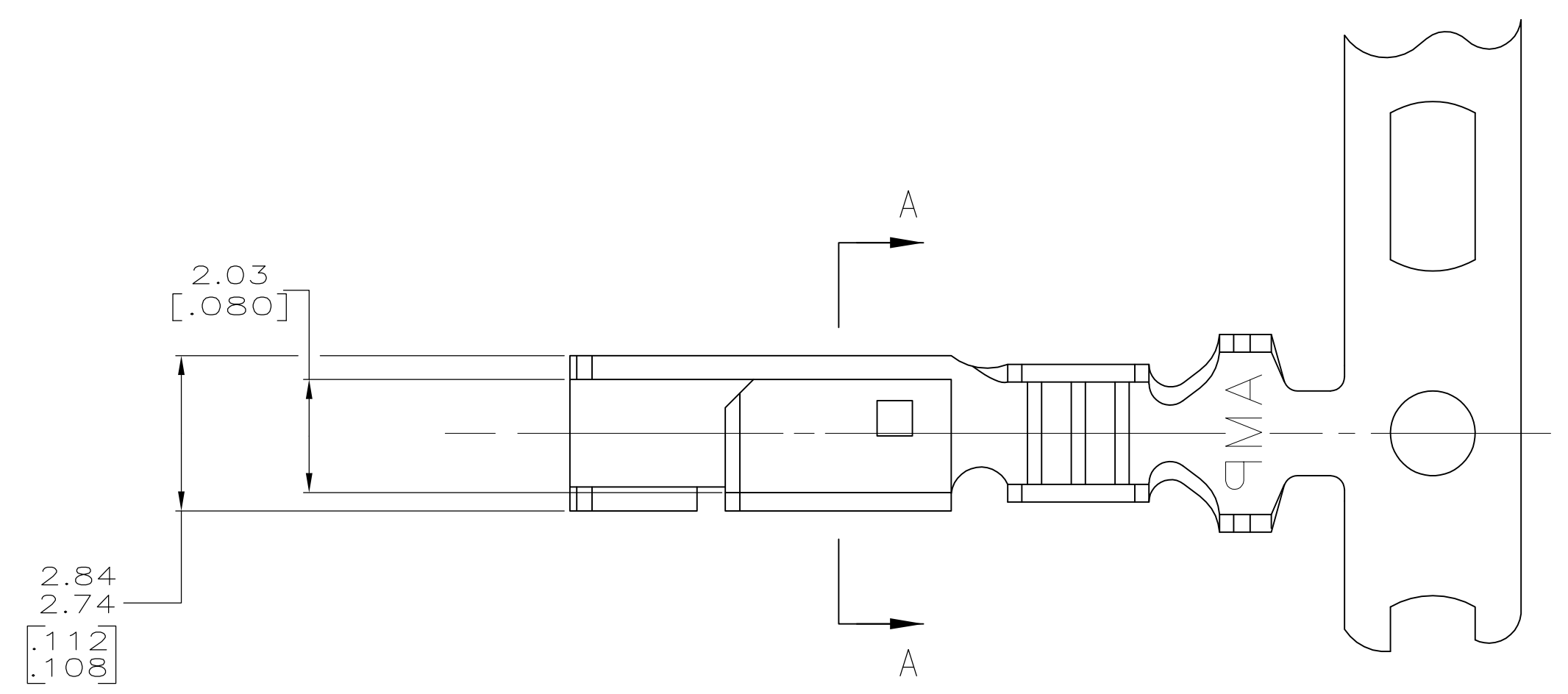


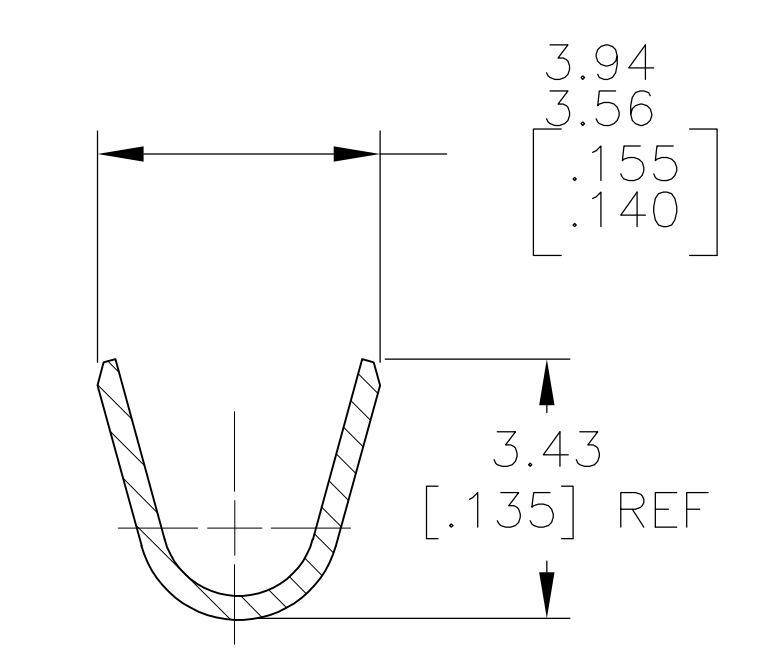
| LOC | DIST | REVISIONS | | | |
|-----|-------------|---------------|---------|----|------|
| P | LTR | DESCRIPTION | DATE | DN | APVD |
| K1 | REVISED PER | ECO-11-004587 | 11MAR11 | RK | HMR |



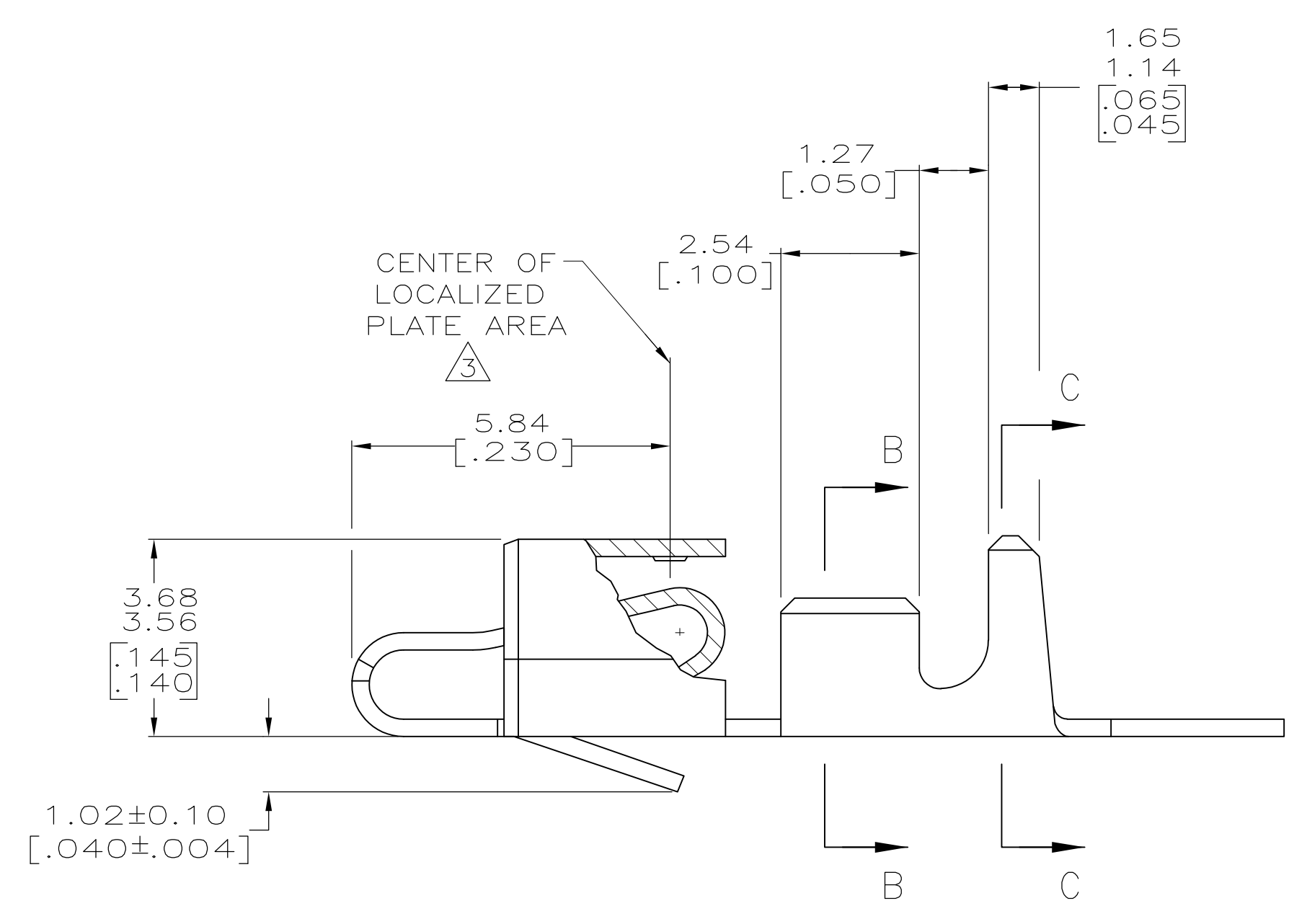
SECTION A-A



SECTION B-B

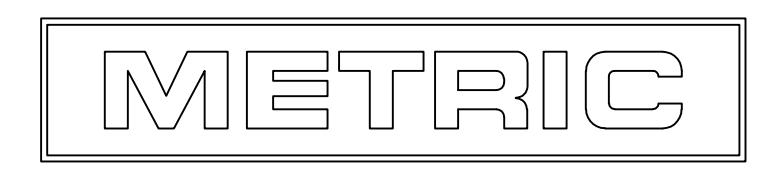


SECTION C-C



- INSULATION RANGE: 1.09–2.79 [.043–.110]
WIRE RANGE: 0.2–0.9 mm² (24–18) AWG.
- 0.00203 [.000080] MIN BRIGHT TIN-LEAD OVER
0.00127 [.000050] MIN NICKEL.
- 0.00076 [.000030] MIN THICK GOLD STRIPES IN
LOCALIZED PLATE AREA ON BEAM AND DIMPLE OVER
0.00127 [.000050] MIN THICK NICKEL OVER ENTIRE
CONTACT.
- DIMENSIONS IN BRACKETS ARE IN INCHES.
- 0.00203 [.000080] MIN TIN OVER
0.00127 [.000050] MIN NICKEL.

| | |
|--------|------------|
| △ | 3-770476-1 |
| △ | 770476-2 |
| △ | 770476-1 |
| FINISH | PART NO. |



THIS DRAWING IS A CONTROLLED DOCUMENT.

| | | | | |
|----------------------------|---|------------------------------|--------------------|------------------------|
| DIMENSIONS: mm [INCHES] | TOLERANCES UNLESS OTHERWISE SPECIFIED: | DIN K. WHITAKER 180CT2004 | CHK J. ELLIS | NAME J. ELLIS |
| 0 PLC ± - | 1 PLC ± - | 2 PLC ± - | 3 PLC ± .005 | 4 PLC ANGLES ± # 0°30' |
| MATERIAL | FINISH | SIZE A1 | CAGE CODE 00779 | DRAWING NO 770476 |
| CUSTOMER DRAWING | | SCALE 10:1 | SHEET 1 OF 1 | REV K1 |

STE TE Connectivity
RECEPTACLE, SL-156