

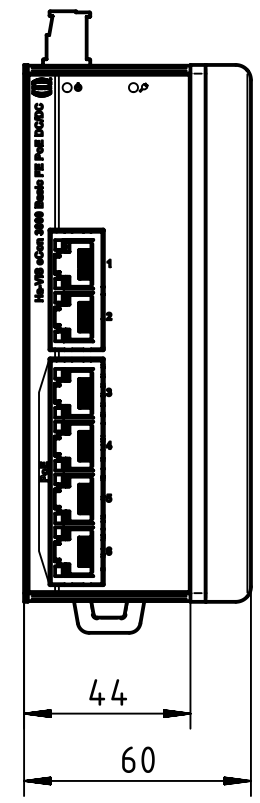
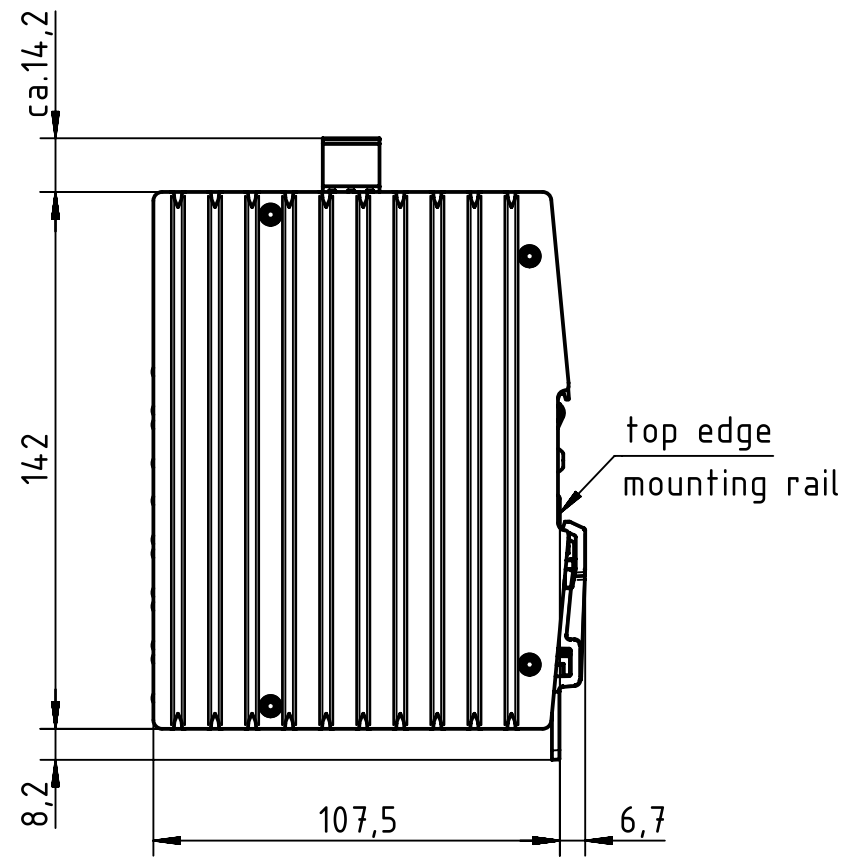
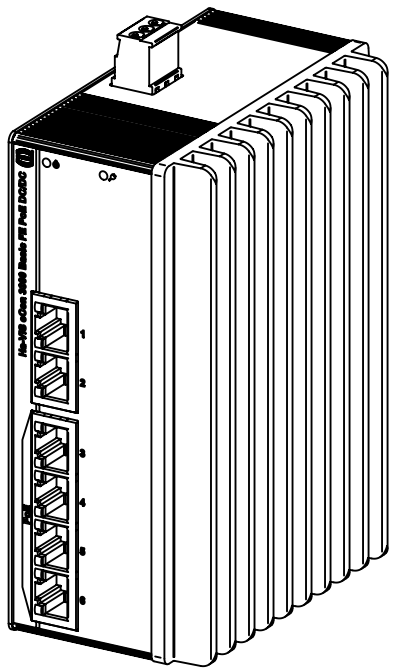
1 2 3 4 5 6

A

B

C

D



for mounting rail acc. to DIN EN 60715

	All Dimensions in mm Original Size DIN A4		Scale 1:2	Free size tol.		Ref.
						Sub.
	All rights reserved		Created by STICKFORTH	Inspected by WULF	Standardisation RUETERA	Date 2015-07-23
	Department EL PD - DE					State Final Release
HARTING Electric GmbH & Co. KG D-32339 Espelkamp			Title Ha-VIS eCon 3060BT-A-PP			Doc-Key / ECM-Nr. 100626787/UGD/002/A 500000092178
			Type TB	Number 24 03 106 0020		Rev. A
						Page 1/1