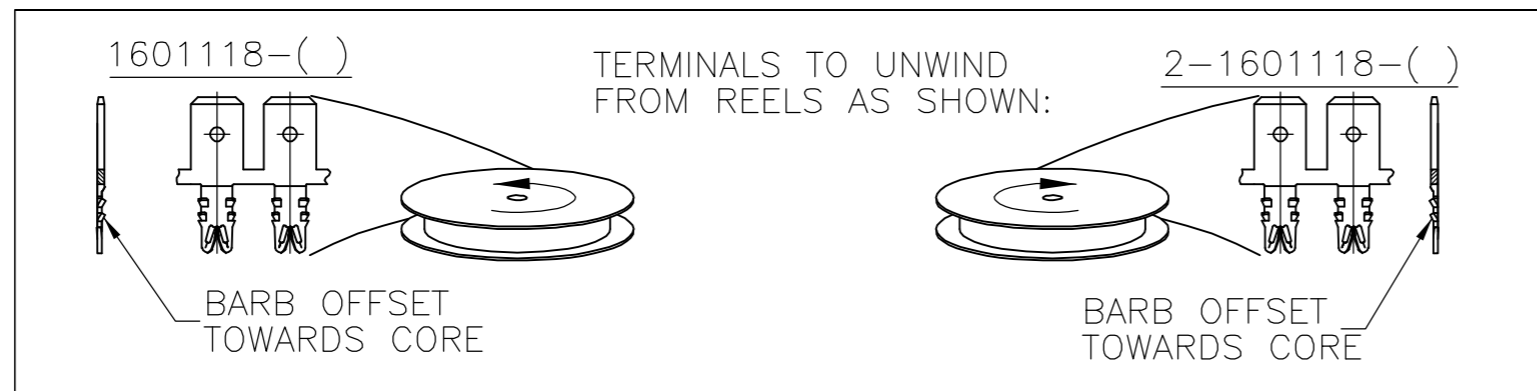
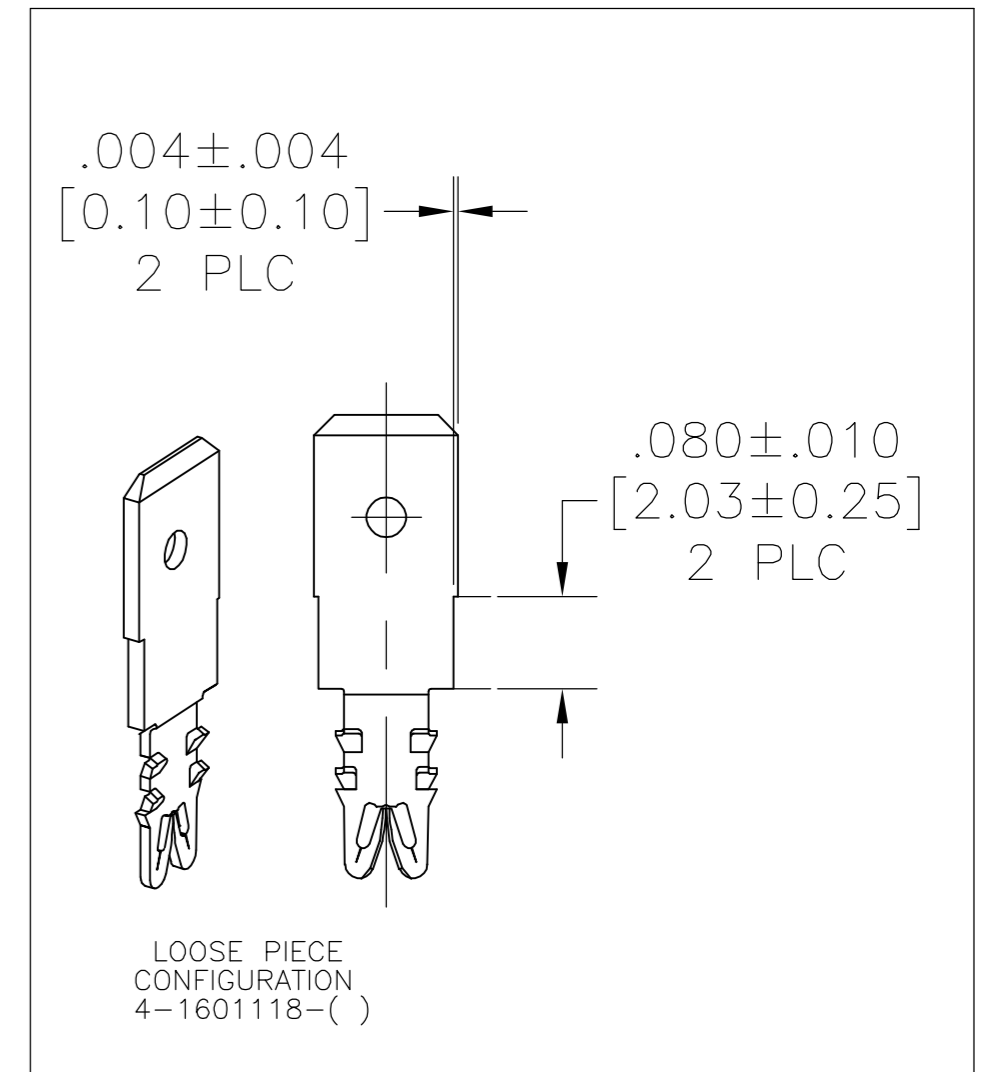
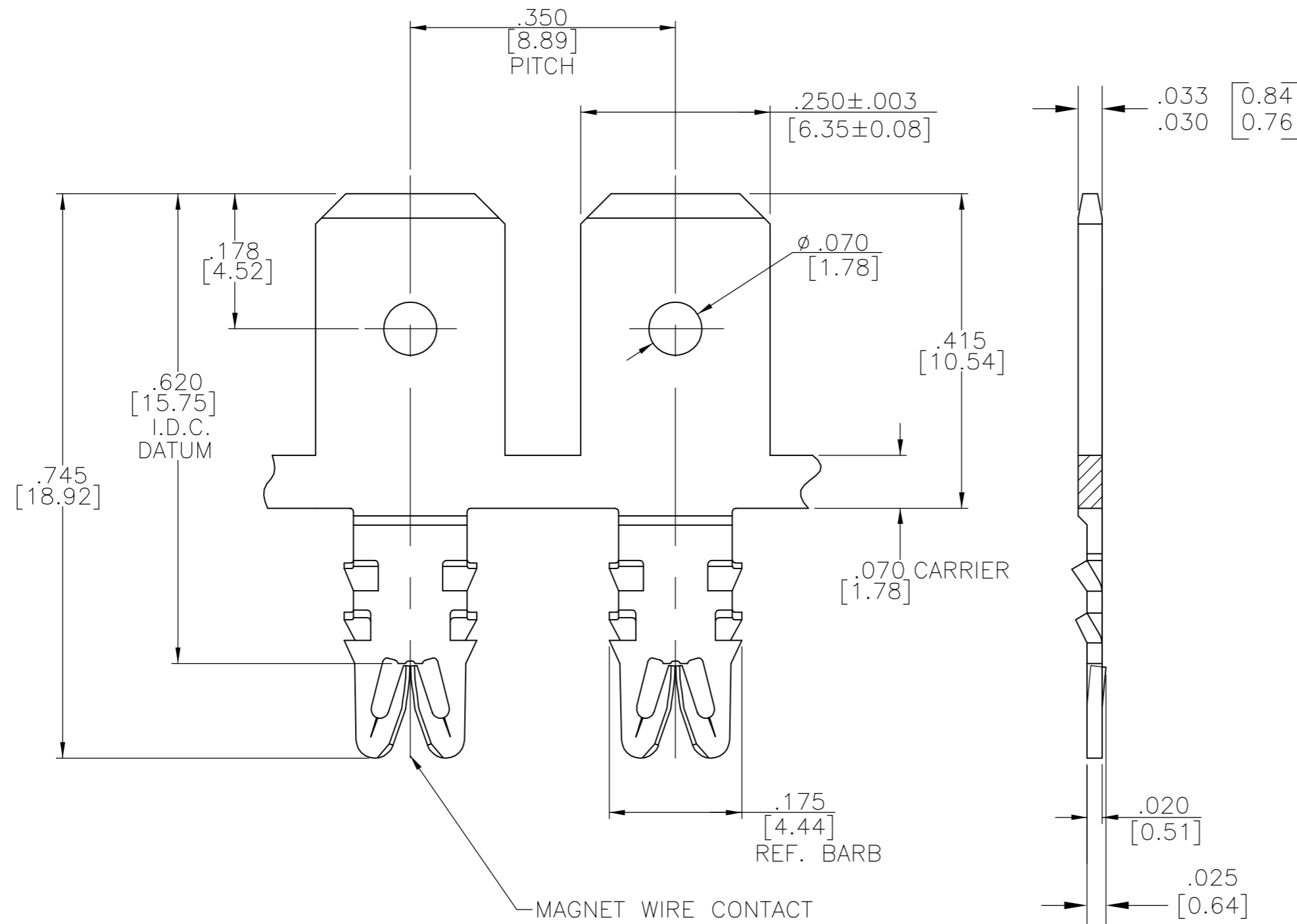


THIS DRAWING IS UNPUBLISHED. RELEASED FOR PUBLICATION
 © COPYRIGHT BY TYCO ELECTRONICS CORPORATION. ALL RIGHTS RESERVED.

LOC	DIST	REVISIONS			
P	LTR	DESCRIPTION	DATE	DWN	APVD
AF	50				
		D	REV PER ECR-06-027678	01FEB07	JR GJ

- SPECIFICATIONS:
MAGNET WIRE #27 - #36 AWG, .015"(0.38mm) - .005"(0.13mm) DIA COPPER. OTHER SIZES MAY BE ACCOMMODATED, CONSULT TYCO ELECTRONICS FOR APPROVAL.
- POCKET RECOMMENDATION: #1601425
- TERMINAL APPLICATION TO COMPLY WITH TYCO ELECTRONICS SPECIFICATION 114-13166 FIGURE 6.
- TERMINALS SUPPLIED ON REELS, CAN BE SUPPLIED LOOSE PIECE.
- PRELIMINARY - NOT FOR PRODUCTION



-	-	-
-	-	-
-	-	-
PRE TIN PLATE	150-036-002	2-1601118-2
UNPLATED	-	5 2-1601118-1
PRE TIN PLATE	150-005-002	1601118-2
FINISH	REFERENCE PART NUMBER	TYCO PART NUMBER

THIS DRAWING IS A CONTROLLED DOCUMENT.		DWN J.WELLER 11JAN2002	Tyco Electronics Corporation	
DIMENSIONS: mm [INCHES]		CHK M.FEHER 11JAN2002	Harrisburg, PA 17105-3608	
TOLERANCES UNLESS OTHERWISE SPECIFIED:		APVD K.RANDOLPH 11JAN2002	NAME	
0 PLC ± -		PRODUCT SPEC	FINE RANGE WIRE TO .250 X .032	
1 PLC ± -		APPLICATION SPEC	MULTI-BARB TAB SIAMEZE TERMINAL	
2 PLC ± .01[0.25]		108-2244	SIZE A2	CAGE CODE 00779
3 PLC ± .005[0.13]		3	DRAWING NO C=1601118	RESTRICTED TO -
4 PLC ± -			SCALE 6:1	SHEET 1 of 1
ANGLES ± 2'			REV D	
MATERIAL BRASS, 1/2 HARD	FINISH SEE TABLE	WEIGHT -	CUSTOMER DRAWING	