

Programming adapter - IFS-BT-PROG-ADAPTER - 2905872

Please be informed that the data shown in this PDF Document is generated from our Online Catalog. Please find the complete data in the user's documentation. Our General Terms of Use for Downloads are valid (<http://phoenixcontact.com/download>)



Bluetooth programming adapter with μ USB and S-PORT interface for wireless programming and monitoring. The driver is included in the software solutions for the products to be programmed, such as measuring transducers or motor managers.

Product Description

Bluetooth programming adapter with μ USB and S-PORT interface for wireless programming and monitoring. The programming adapter can be used for the following device series with programming interface: MINI Analog, MINI Analog Pro, MACX Analog, INTERFACE system gateways, PLC logic. The driver is included in the software solutions for the products to be programmed, such as measuring transducers.

RoHS

Key Commercial Data

Packing unit	1 STK
Weight per Piece (excluding packing)	40.000 g
Custom tariff number	85176200
Country of origin	Germany

Technical data

Ambient conditions

Ambient temperature (operation)	-25 °C ... 65 °C
Ambient temperature (storage/transport)	-25 °C ... 70 °C

General

Connection 1	Device side
Connection method	Micro USB type B
Connection 2	Device side
Connection method	S-PORT
ATEX	# II 3 G Ex ic IIC T4 Gc X

Dimensions

Width	38 mm
-------	-------

Programming adapter - IFS-BT-PROG-ADAPTER - 2905872

Technical data

Dimensions

Height	30.6 mm
Depth	9.6 mm

Ambient conditions

Ambient temperature (operation)	-25 °C ... 65 °C
Ambient temperature (storage/transport)	-25 °C ... 70 °C

General

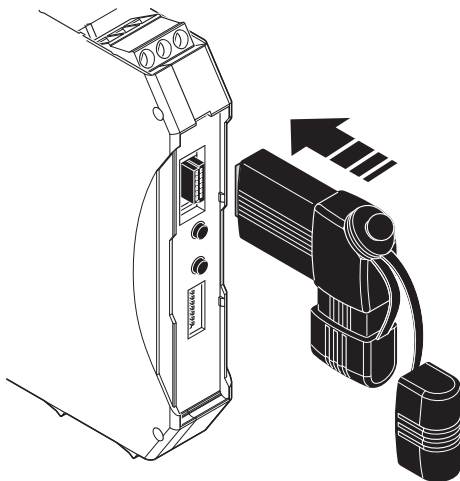
Housing material	PA 646
ATEX	# II 3 G Ex ic IIC T4 Gc X

Standards and Regulations

ATEX	# II 3 G Ex ic IIC T4 Gc X
------	----------------------------

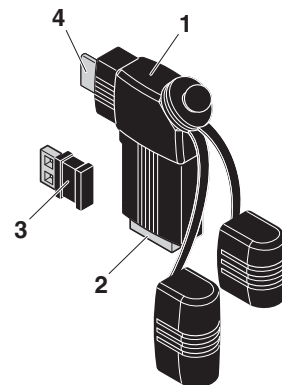
Drawings

Schematic diagram



Connection to MACX Analog and INTERFACE system gateways

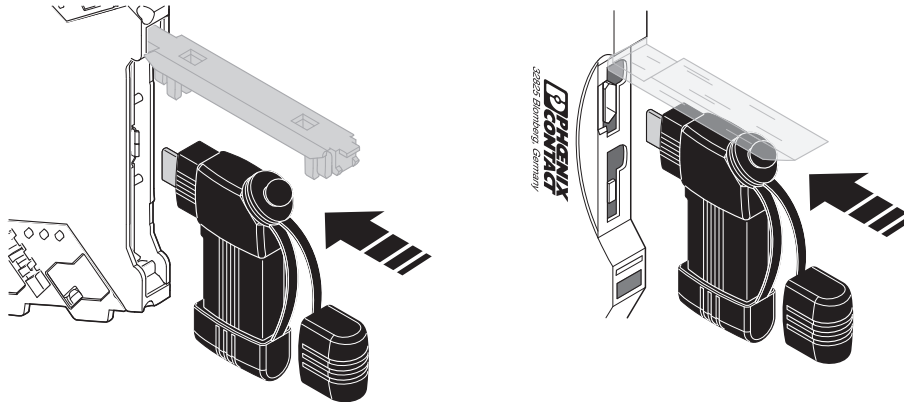
Schematic diagram



- 1 Device adapter
- 2 S-PART interface
- 3 PC adapter
- 4 µUSB interface

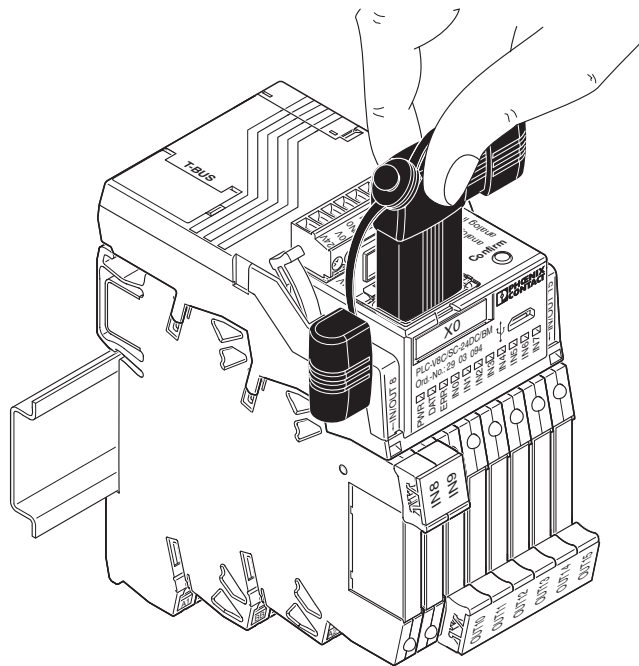
Programming adapter - IFS-BT-PROG-ADAPTER - 2905872

Schematic diagram



Connection to MINI Analog and MINI Analog Pro

Schematic diagram



Connection to PLC logic

Classifications

eCl@ss

eCl@ss 5.1	27210107
------------	----------

Programming adapter - IFS-BT-PROG-ADAPTER - 2905872

Classifications

eCl@ss

eCl@ss 6.0	27210107
eCl@ss 8.0	27379201
eCl@ss 9.0	27379201

ETIM

ETIM 5.0	EC002498
----------	----------