

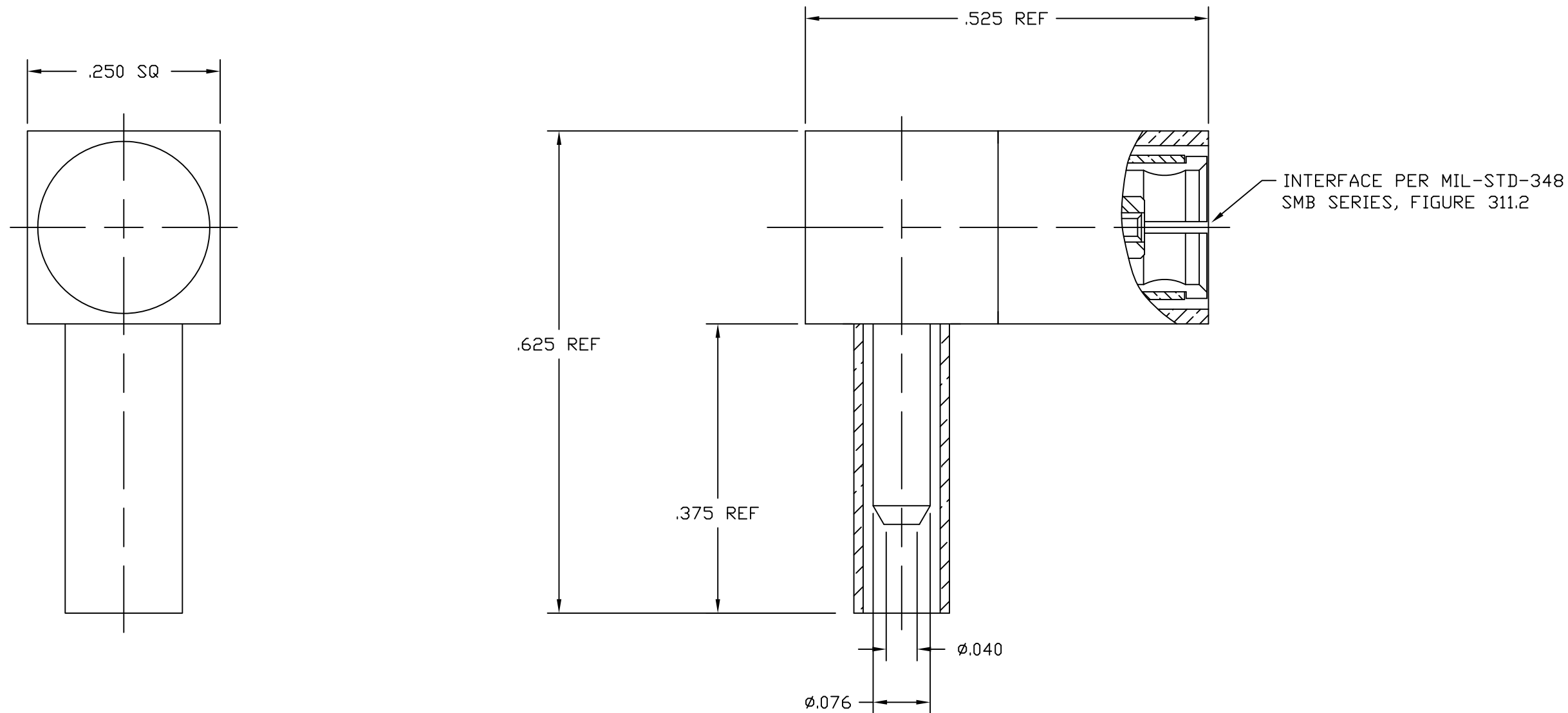
NOTES:

1. PLATING MUST CONFORM TO AMPHENOL SPEC 349-50560. CONNECTOR IS GOLD PLATED.
2. FOR ASSEMBLY INSTRUCTIONS SEE AMPHENOL SPEC 349-50521, SHEET 3.

903-291P-51A1

REVISIONS

DRAWING NO.	REV	DESCRIPTION	DATE	ECO	APPR
THIRD ANGLE PROJ.	A	OFFICIAL ENG. RELEASE TO MFG.	6/13/94	39999	PB
	B	SEE SHEET 1	11/11/05	45806	CPM
	C	SEE SHEET 1	10/6/06	46294	CPM
	D	ADD CDD	7/28/15	50675	CPM



CUSTOMER OUTLINE DRAWING
ALL OTHER SHEETS ARE FOR INTERNAL USE ONLY

UNLESS OTHERWISE SPECIFIED, DIMENSIONS ARE IN INCHES AND TOLERANCES ARE:
 2 PLACE DECIMAL 3 PLACE DECIMAL ANGLES
 ±.015 (0,381 mm) ±.005 (0,127 mm) ± 1°

NOTICE - These drawings, specifications, or other data (1) are, and remain the property of Amphenol Corp. (2) must be returned upon request; and (3) are confidential and not to be disclosed to any person other than those to whom they are given by Amphenol Corp. The furnishing of these drawings, specifications, or other data by Amphenol Corp., or to any other person to anyone for any purpose is not to be regarded by implication or otherwise in any manner licensing, granting rights or permitting such holder or any other person to manufacture, use or sell any product, process or design, patented or otherwise, that may in any way be related to or disclosed by said drawings, specifications, or other data.

MATERIAL	DRAWN	DATE	TITLE		
REFERENCE	P. BRENZEL	4/6/94			
	ENGINEER	DATE			
	RAV	6/11/94			
	APPROVED	DATE			
	RAV	6/11/94			
	CAD FILE	CODE ID	DWG SIZE	DRAWING NO.	REV
	H:\PETE\SMB\903\ASSY\291P51A1C	74868	B	903-291P-51A1	D

EAR 111-964117

SMB 50 OHM
 ANGLE PLUG
 FOR RG-196/U

Amphenol
 Amphenol Corporation
 RF/Microwave Operations
 Danbury, Conn. U.S.A. 06810

SCALE: 6:1 SHEET 2 OF 2